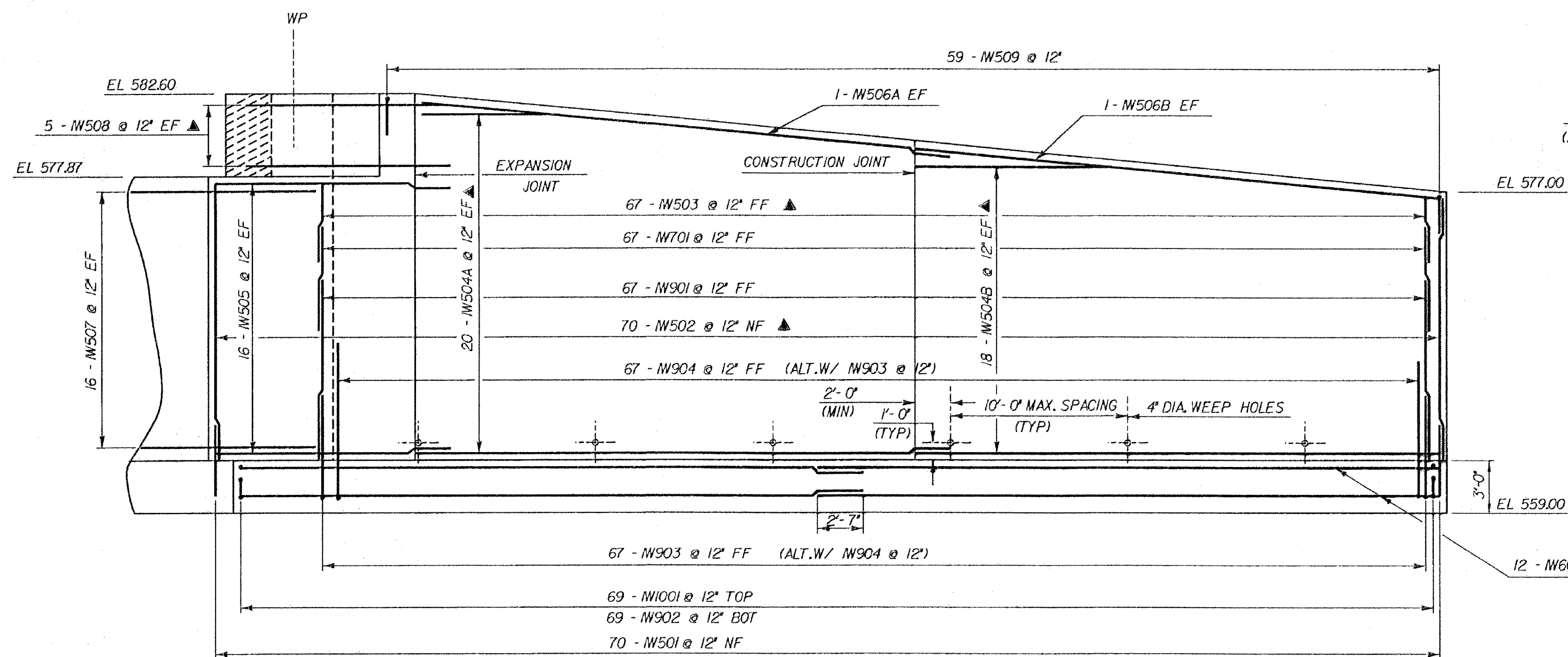
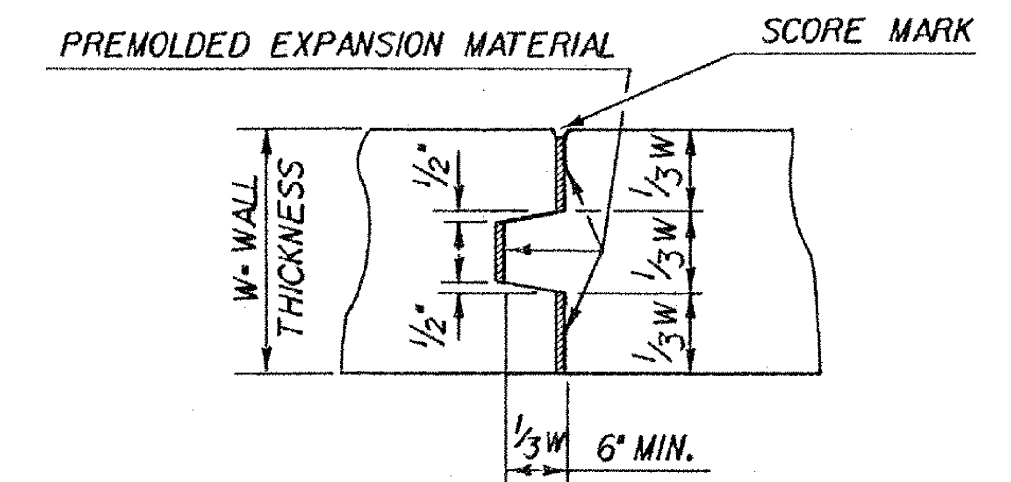


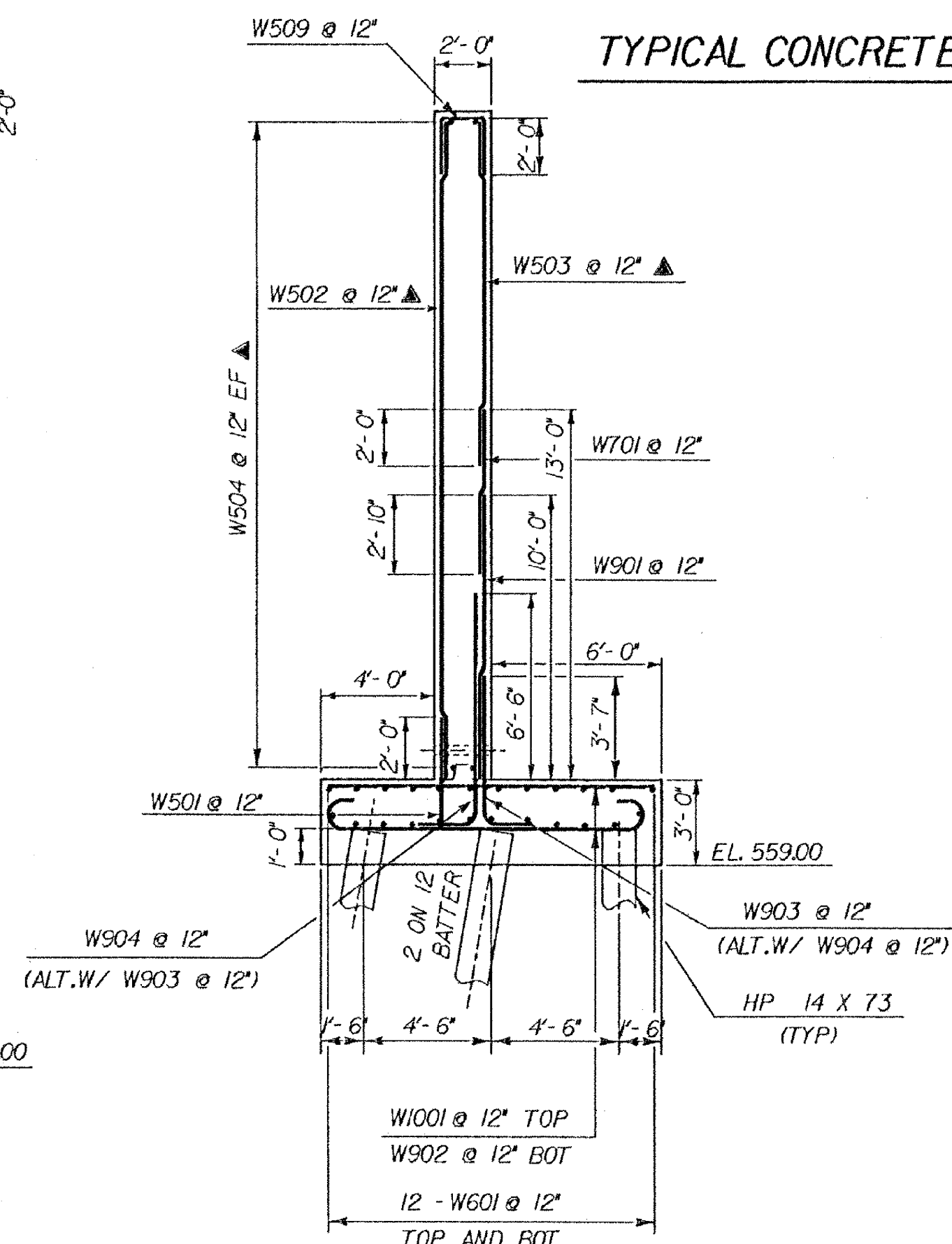
**WINGWALL #1 PLAN**  
SCALE: 1/4" = 1'-0"



**WINGWALL #1 ELEVATION**  
SCALE: 1/4" = 1'-0"



**TYPICAL CONCRETE EXPANSION JOINT**



**WINGWALL #1 AND #2 TYPICAL**

SCALE: 1/4" = 1'-0"

\* ALL LAP SPLICES NOT DETAILED SHALL BE 2'-0" MIN

For Reference Only  
Waterbury-Moretown  
BHF MEMB (12)  
Sheet 22 of 28

**STATE OF VERMONT  
AGENCY OF TRANSPORTATION**

Town of <b>MORETOWN</b>	Bridge No. <b>4</b>
Highway No. <b>VT 100B</b>	Log Sta. <b>86 + 53</b>
VT 100B OVER MAD RIVER	
WINGWALL #1 DETAILS	
Designed By <b>C.P. WILLIAMS</b>	Drawn By <b>T.A. SUMNER</b>
Checked By <b>C.P. WILLIAMS</b>	Bridge Design Supervisor <b>F.Y. Balkum</b>
PROJECT <b>MORETOWN</b>	PROJECT NO. <b>BRZ-1446 (1)</b>
I.G.C. Info. <b>ZH2L343078F14ABT.DGN</b>	<b>T8F174HWJUPARM</b>
Bridge Sheet No. <b>BRI18</b>	Sheet <b>51</b> of <b>82</b>