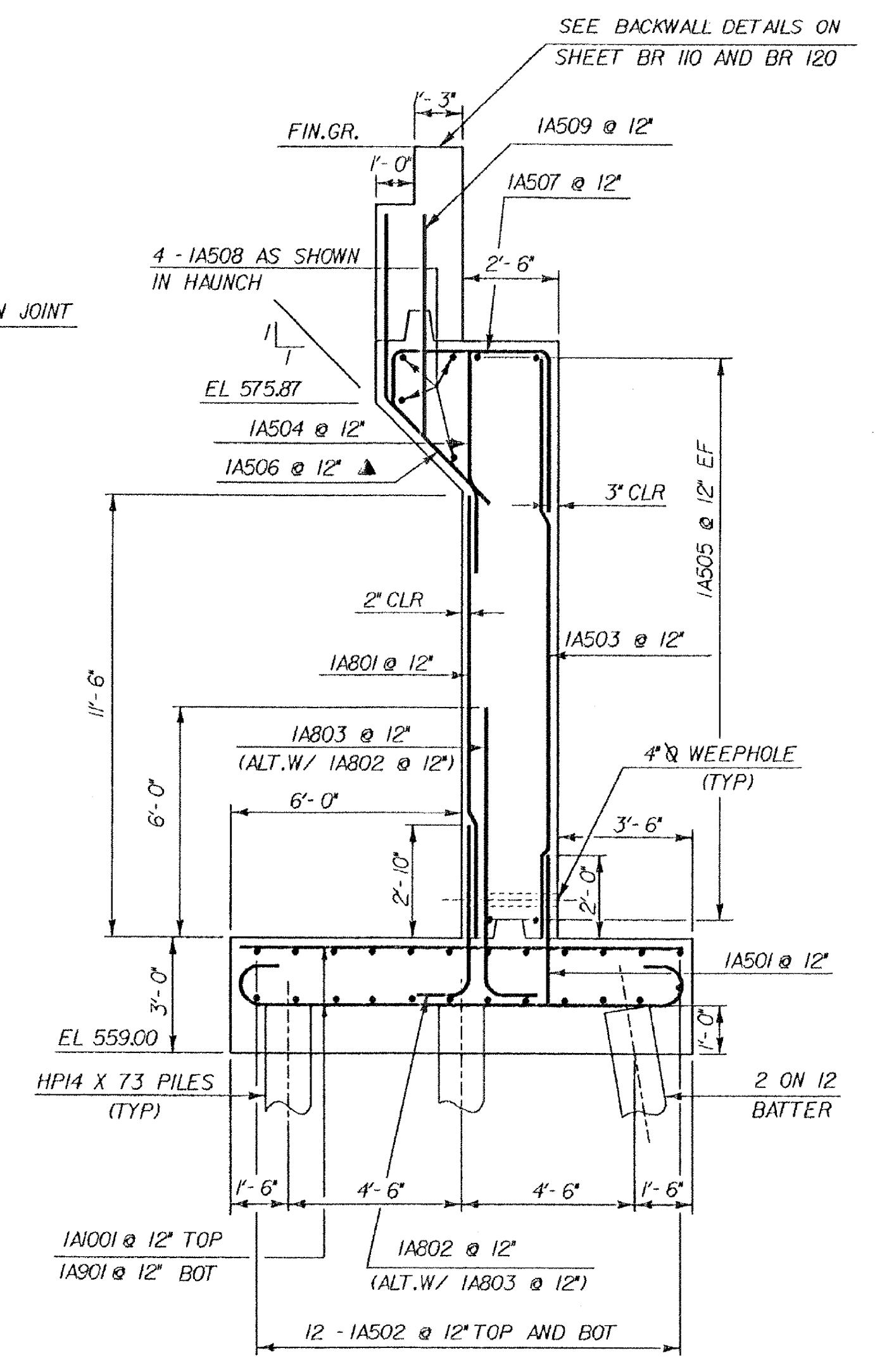


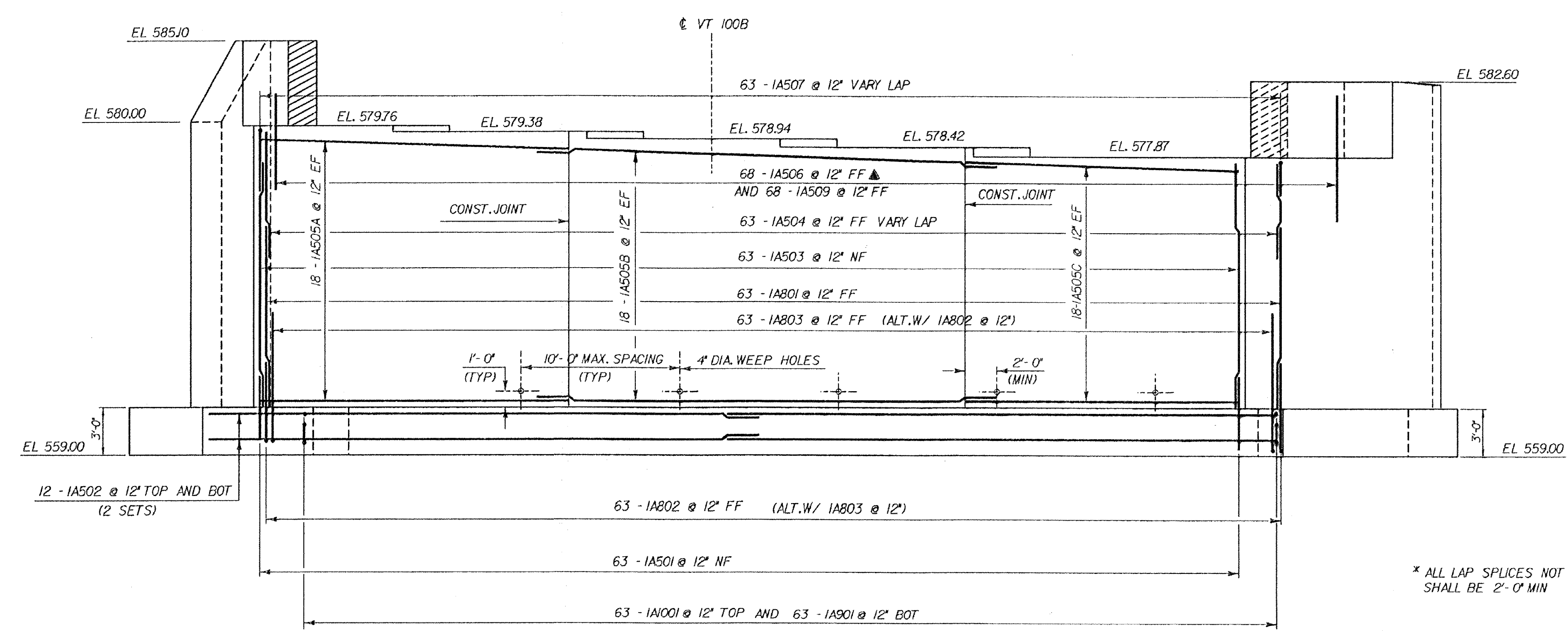
ABUTMENT NO. 1 PLAN
SCALE: 1/4" = 1'-0"

SEE SHEET BR118 FOR REST OF WINGWALL #1 PLAN

SEE BACKWALL DETAILS ON SHEET BR 110 AND BR 120



ABUTMENT No. 1 TYPICAL
SCALE 3/8" = 1'-0"



ABUTMENT NO. 1 ELEVATION
SCALE: 1/4" = 1'-0"

For Reference Only
Waterbury-Moretown
BHF MEMB (12)
Sheet 23 of 28

STATE OF VERMONT AGENCY OF TRANSPORTATION	
Town Of	MORETOWN
Highway No.	VT 100B
VT 100B OVER MAD RIVER	
ABUTMENT #1 DETAILS	
Designed By	C.P. WILLIAMS
Checked By	C.P. WILLIAMS
PROJECT	MORETOWN
I.G.C. Info.	ZHEK343011BFI4ABT.DGN
Bridge Sheet No.	BR114
Bridge No.	4
Log Sta.	86 + 53
Surv. Sta.	12 + 21 + / -
ABUTMENT #1 DETAILS	
Drawn By	T.A. SUMNER
Bridge Design Supervisor	
Date	4/92
PROJECT NO.	BRZ-1446 (1)
PROJECT NO.	788714ABUPARM
Sheet	47 of 82