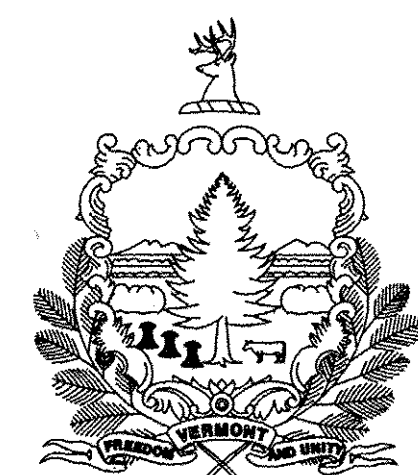


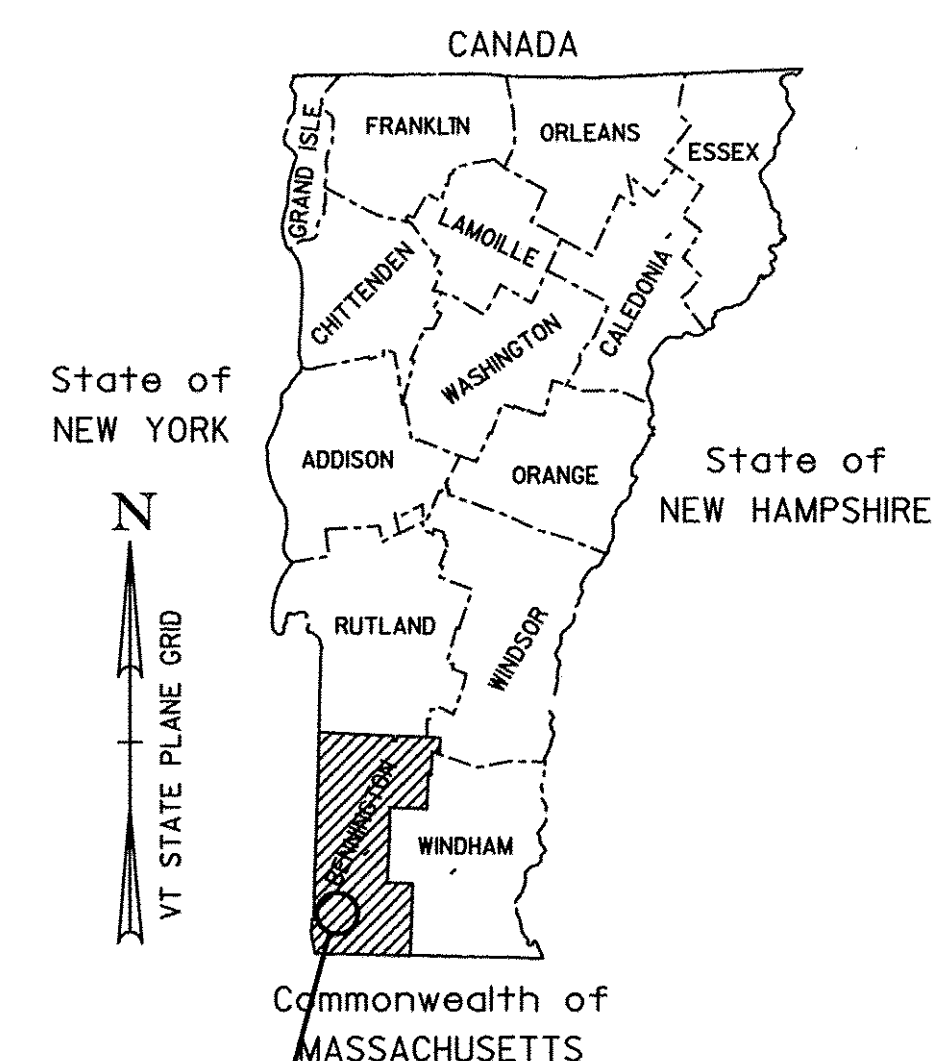
INDEX OF SHEETS
SEE SHEET 2

VAOT STANDARDS FOR CONSTRUCTION
SEE SHEET 2

STATE OF VERMONT AGENCY OF TRANSPORTATION



PROPOSED IMPROVEMENT TOWNS OF BENNINGTON & SHAFTSBURY COUNTY OF BENNINGTON BRIDGE MEMBRANE & JOINT PROJECT



PROJECT LOCATION : THE FOLLOWING BRIDGE LOCATIONS ALONG THE U.S. ROUTE 7 CORRIDOR BEGINNING IN THE TOWN OF BENNINGTON AND EXTENDING INTO THE TOWN OF SHAFTSBURY:

B11, B14A, B14S, BD15, B16N, B16S, B17, AND B18

PROJECT DESCRIPTION : BRIDGE MEMBRANE AND JOINT REHABILITATION, REPLACEMENT, MODIFICATIONS, AND OTHER RELATED ITEMS.

LENGTH OF STRUCTURES:

BR. 11	153.39'	BR. 16N	140.60'
BR. 14A	239.54'	BR. 16S	140.52'
BR. 14S	227.13'	BR. 17	156.00'
BR. D15	234.84'	BR. 18	78.28'

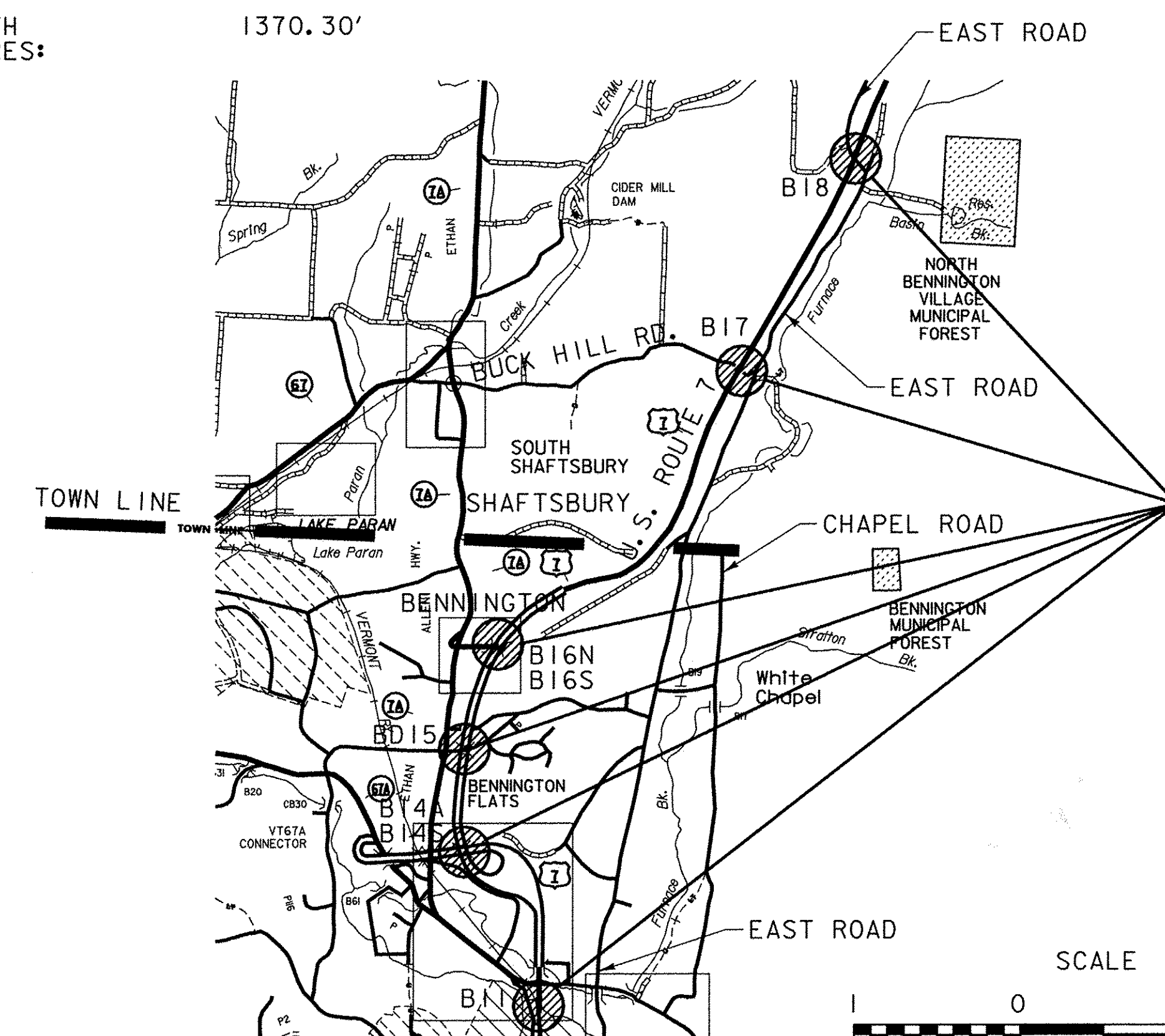
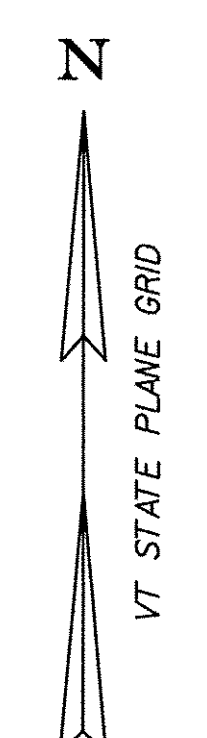
TOTAL LENGTH OF STRUCTURES: 1370.30'

RECORD PLANS	
CONTRACTOR:	F.W. WHITCOMB CONSTRUCTION CORP. - WALPOLE, NH
RESIDENT ENGINEER:	TIM POKETTE
CONSTRUCTION BEGAN:	APRIL 6, 2009
CONSTRUCTION COMPLETE:	JULY 30, 2009
RECORD PLANS BY:	TIM POKETTE & AMOS KEMPTON

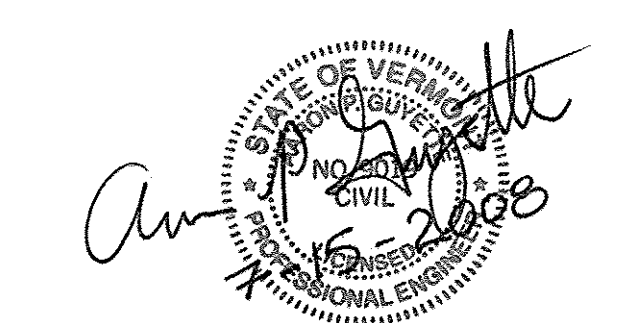
I HEREBY CERTIFY THAT ALL THE CONSTRUCTION REQUIRED BY THIS SET OF DRAWINGS HAS BEEN ACCOMPLISHED AS INDICATED HEREIN.

BY Tim Pokette RESIDENT ENGINEER
DATE 10-10-11

NOTE: Any further information concerning final quantities, amounts or other details relative to this project may be found at Central Files in the electronic archives.



**PROJECT LOCATION
BENNINGTON - SHAFTSBURY
BHF MEMB(3)**



CONVENTIONAL SYMBOLS	
COUNTY LINE	
TOWN LINE	
LIMITS OF ACCESS	
POINT OF ACCESS	
FENCE LINE	
STONE WALL	
TRAVELED WAY	
GUARD RAIL	
RAILROAD	
SURVEY LINE	
CULVERT	
POWER POLE	
TELEPHONE POLE	
TREES	
CONTROL OF ACCESS	
PROPERTY LINE	
R.O.W. TAKING LINE	
SLOPE RIGHTS	
TOP OF CUT	
TOE OF SLOPE	

DuBois & King INC.
engineering planning management development

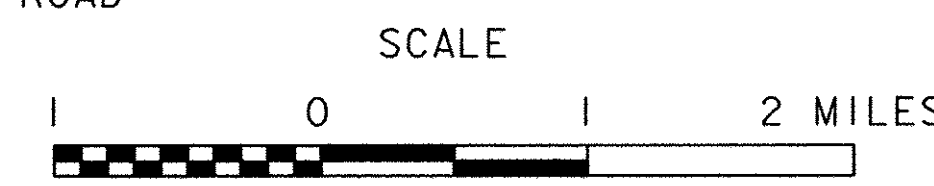
SURVEYED BY : N/A
SURVEYED DATE : N/A

DATUM
VERTICAL : N/A
HORIZONTAL : N/A

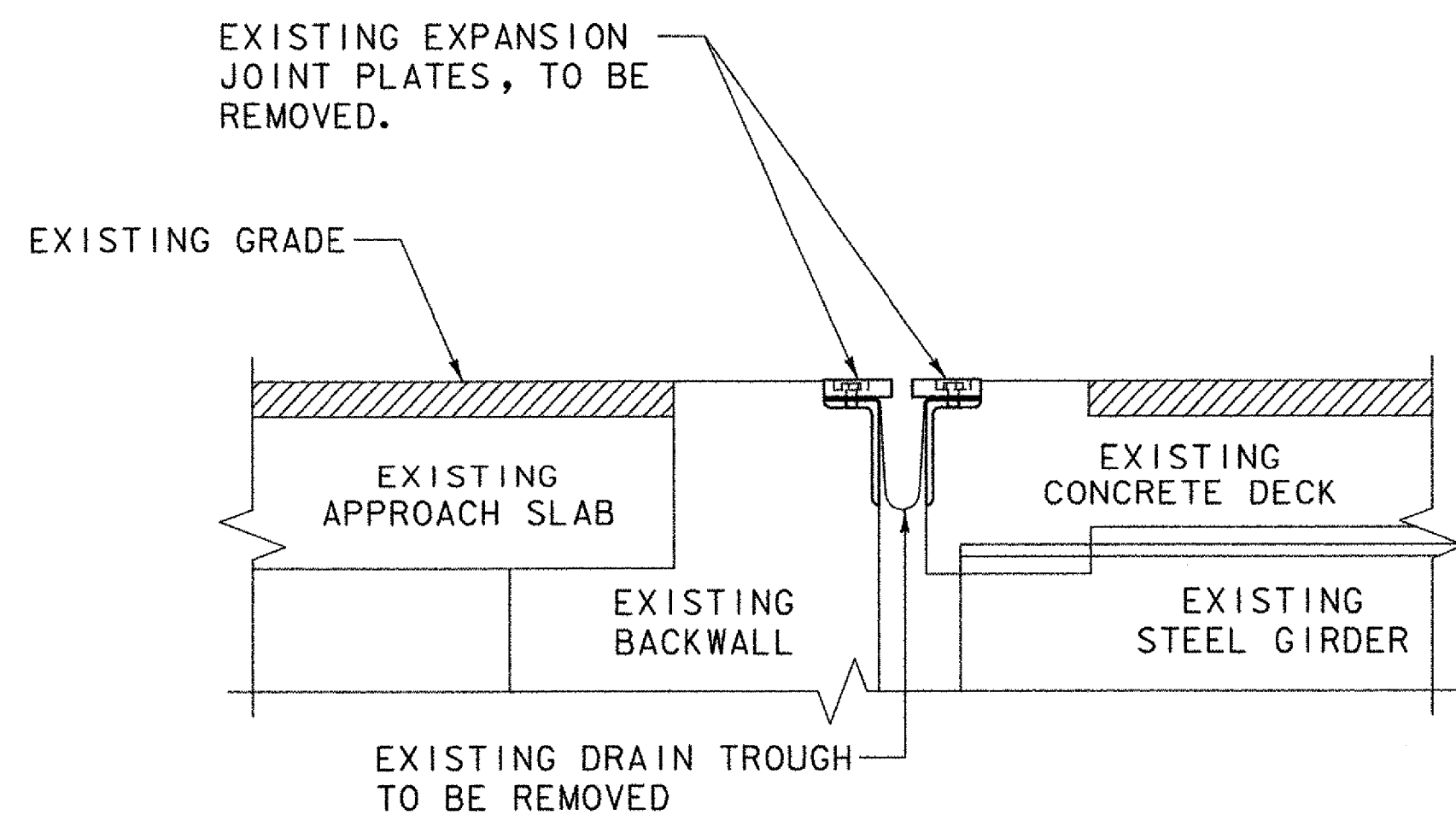
THESE PLANS ARE SUBJECT TO SUCH ENGINEERING CHANGES AS MAY BE REQUIRED BY THE FEDERAL HIGHWAY ADMINISTRATION OR THE DIRECTOR OF PROGRAM DEVELOPMENT.

CONSTRUCTION IS TO BE CARRIED ON IN ACCORDANCE WITH THESE PLANS AND THE STANDARD SPECIFICATIONS FOR CONSTRUCTION DATED 2006, AS APPROVED BY THE FEDERAL HIGHWAY ADMINISTRATION ON JUNE 15, 2006 FOR USE ON THIS PROJECT, INCLUDING ALL SUBSEQUENT REVISIONS AND SUCH REVISED SPECIFICATIONS AND SPECIAL PROVISIONS AS ARE INCORPORATED IN THESE PLANS.

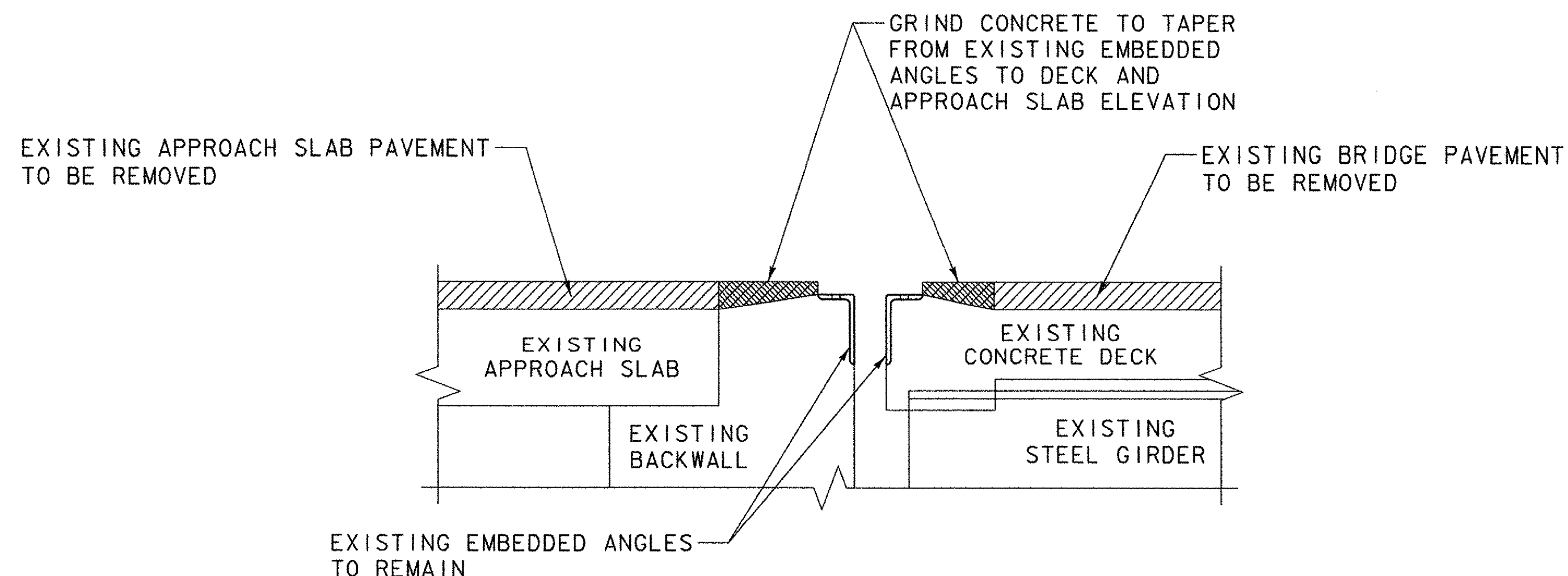
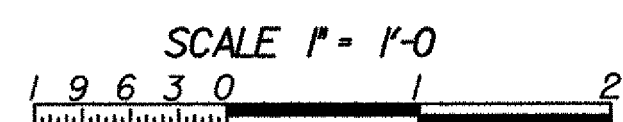
DIRECTOR OF PROGRAM DEVELOPMENT	
APPROVED <u>Sherward Farnsworth</u>	DATE <u>9-16-08</u>
PROJECT MANAGER : SHERWARD FARNSWORTH, P.E.	
PROJECT NAME : BENNINGTON - SHAFTSBURY	
PROJECT NUMBER : BHF MEMB(3)	
SHEET 1 OF 45 SHEETS	



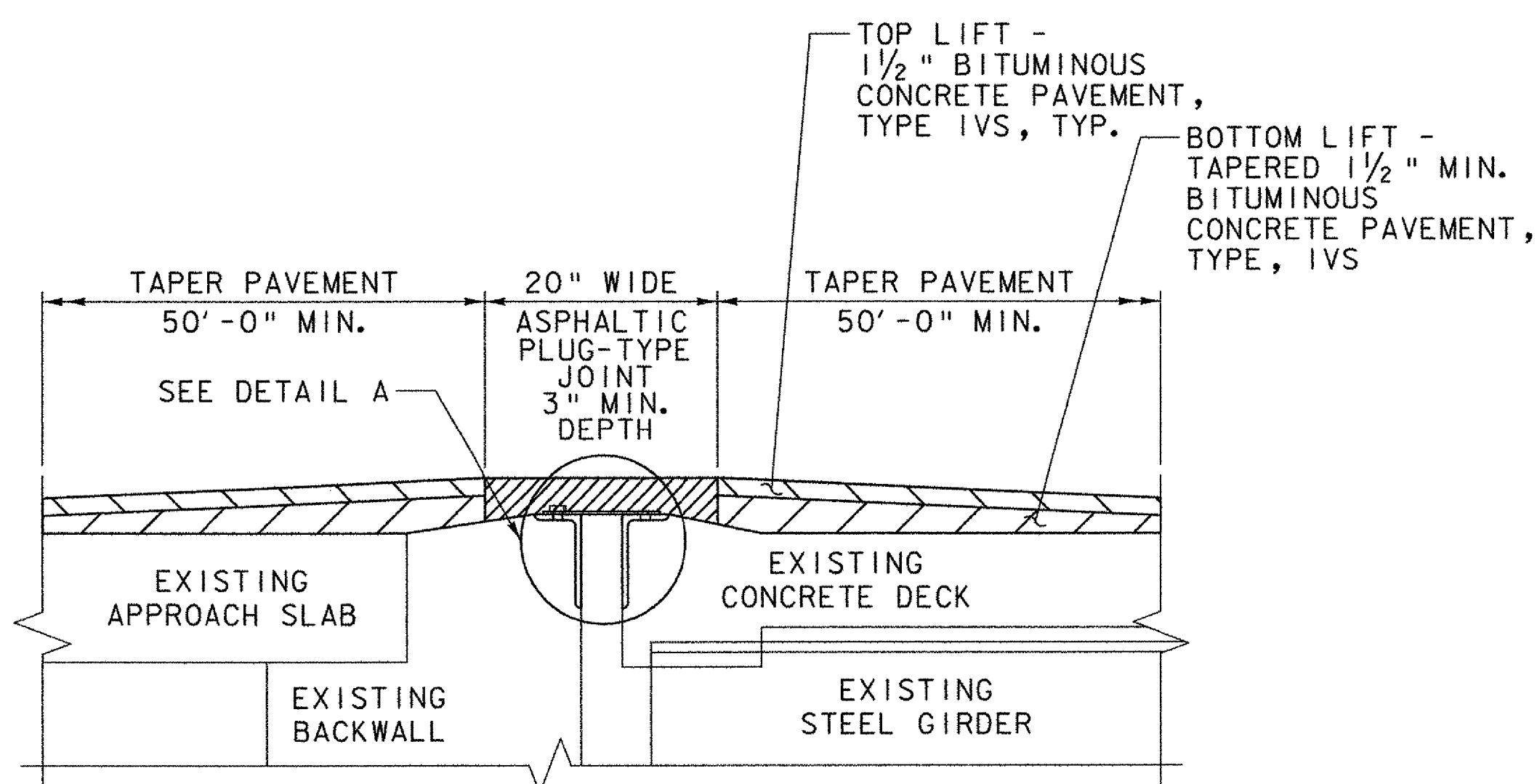
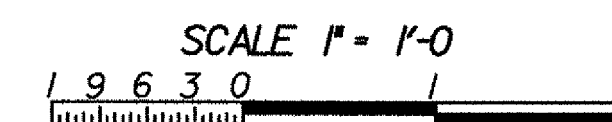
D:\DDP FILES\2008\08-09-08\9-16-08\9-16-08.dwg 7/15/2009 3:08:53 PM



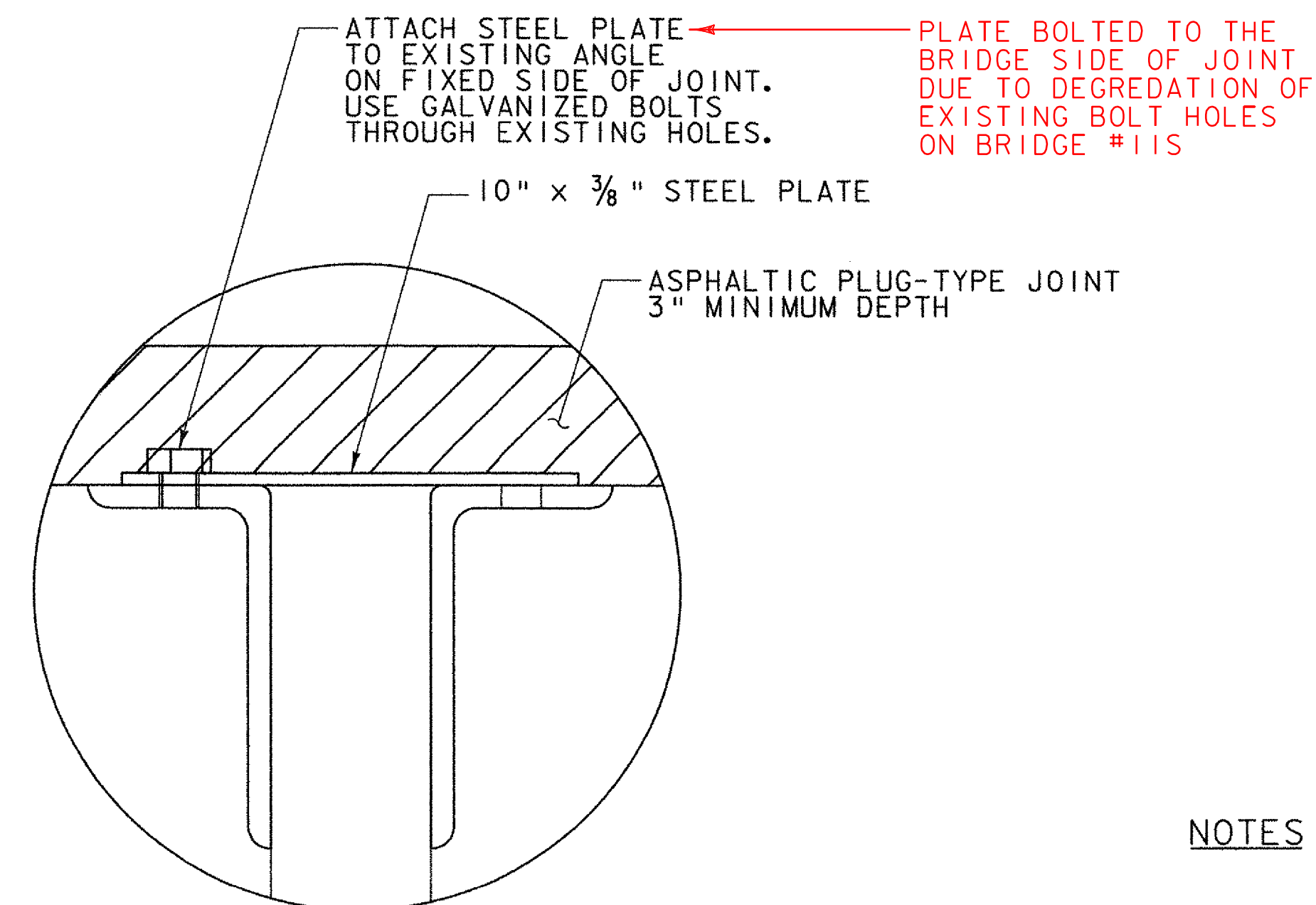
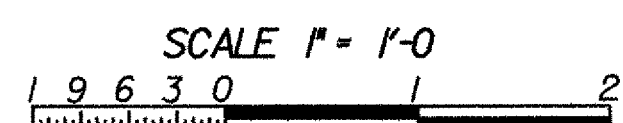
BRIDGE NO. 11
EXISTING EXPANSION JOINT



BRIDGE NO. 11
EXPANSION JOINT REMOVAL



BRIDGE NO. 11
ASPHALTIC PLUG-TYPE JOINT



DETAIL A

NTS

NOTES

1. ALL HARDWARE AND MATERIALS SHALL BE IN ACCORDANCE WITH SECTION 516 OF THE SPECIFICATIONS.
2. REFER TO ASPHALTIC PLUG JOINT NOTES ON SHEET 6.

PROJECT NAME: BENNINGTON - SHAFTSBURY
PROJECT NUMBER: BHF MEMB(3)

FILE NAME: z08e054detail.dgn PLOT DATE: 7/15/2008
PROJECT LEADER: APG DRAWN BY: RHB
DESIGNED BY: APG CHECKED BY: EPD
DETAIL SHEET 2 SHEET 7 OF 45

