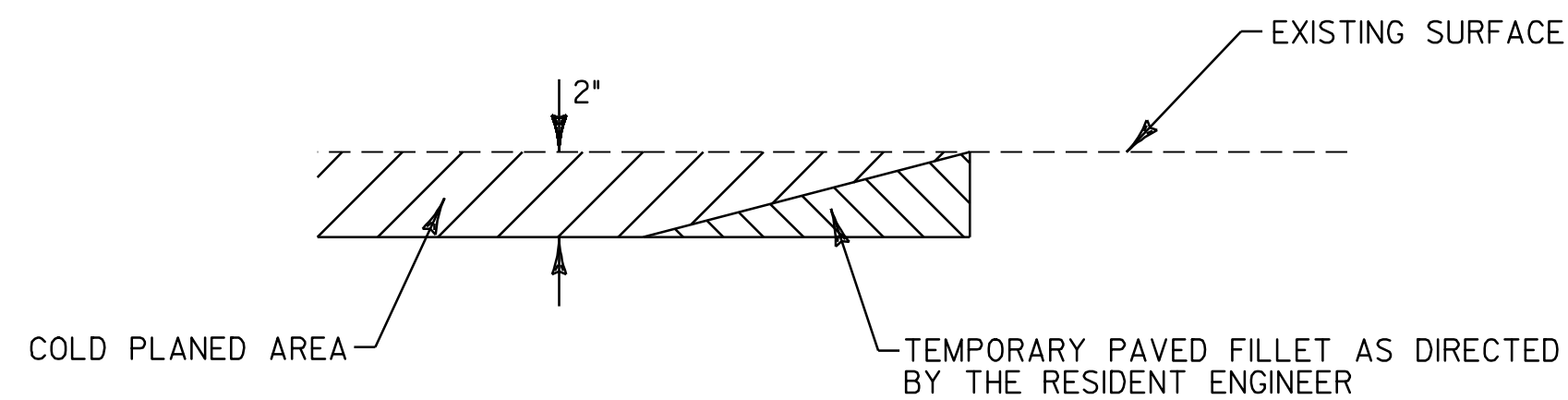


**TRANSITION AREA DETAIL**

**FULL ROADWAY WIDTH**

STA. 80+78.5 TO 81+16.0  
 STA. 81+40.0 TO 81+77.5



**DETAIL AT VERTICAL COLD PLANE JOINTS**

NOTE: THIS DETAIL SHALL BE USED FOR THE SIDE ROADS LISTED BELOW AND AT ALL DRIVES AS DIRECTED BY THE RESIDENT ENGINEER. PAYMENT SHALL BE INCIDENTAL TO ITEM 490.30.

**FULL ROADWAY WIDTH**

- STA. 0+00.00 (BEGIN PROJECT)
- STA. 29+81.8, LT (PACKARD ST.)
- STA. 31+77.0, LT (FORD ST.)
- STA. 41+11.2, LT (RICHARDSON RD.)
- STA. 54+35.6, RT (WILLEY ST.)
- STA. 55+67.6, LT (SIXTH ST.)
- STA. 58+11.5, LT (FIFTH ST.)
- STA. 60+52.4, LT (FOURTH ST.)
- STA. 62+95.2, LT (THIRD ST.)
- STA. 65+33.0, LT (SECOND ST.)
- STA. 65+33.0, RT (WEST SECOND ST.)
- STA. 67+76.4, LT (FIRST ST.)
- STA. 68+95.6, RT (BERLIN ST.)
- STA. 71+68.5, LT (BECKLEY ST.)
- STA. 76+35.0, LT (N. SEMINARY ST.)
- STA. 82+24.4, RT (BLACKWELL ST.)
- STA. 84+74.1, LT (BROOK ST.)
- STA. 86+17.7, RT (HORACE LANE)
- STA. 87+51.0, RT (VT ROUTE 62)
- STA. 87+57.4, LT (VT ROUTE 14)
- STA. 89+43.5 (END PROJECT)

NOT TO SCALE



**PAVING  
 DETAIL  
 SHEET**

PROJECT NAME: BARRE CITY  
 PROJECT NUMBER: STP 2801(1)S

FILE NAME: p08d022.dgn  
 PROJECT LEADER: JLL  
 DESIGNED BY: STANTEC  
 IPARM FILE: p08d022pds.i

PLOT DATE: 14-APR-2010  
 DRAWN BY: STANTEC  
 CHECKED BY: JLL  
 SHEET 3 OF 19