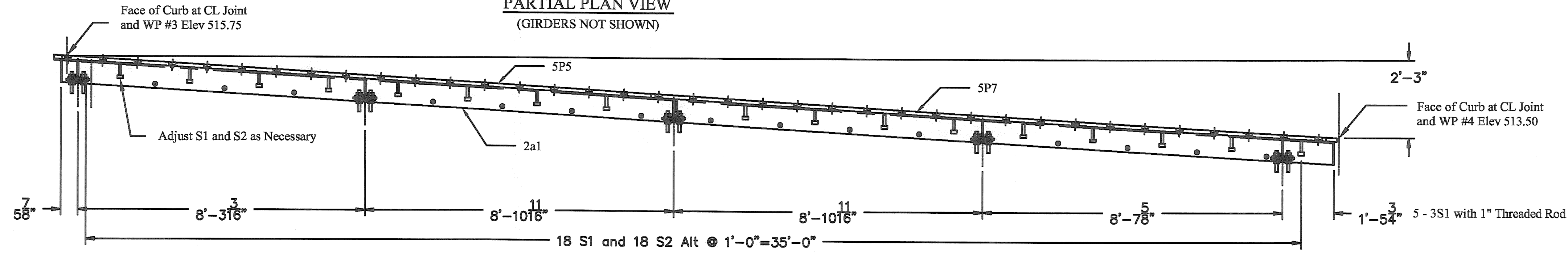
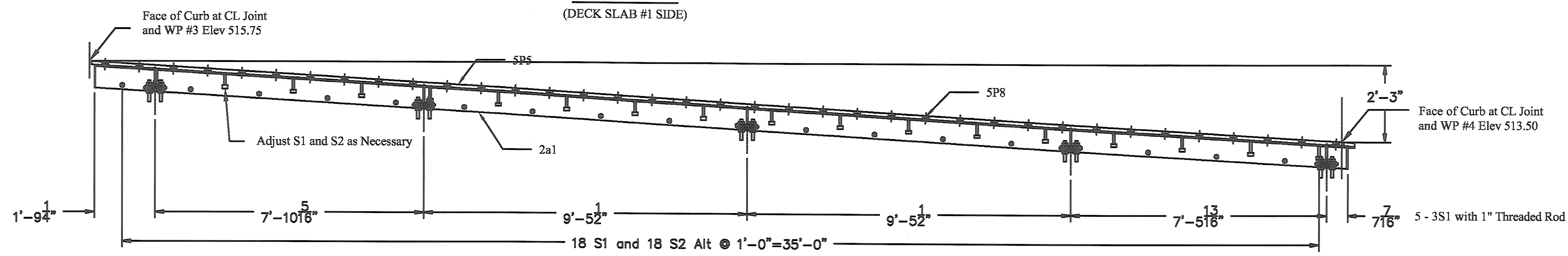


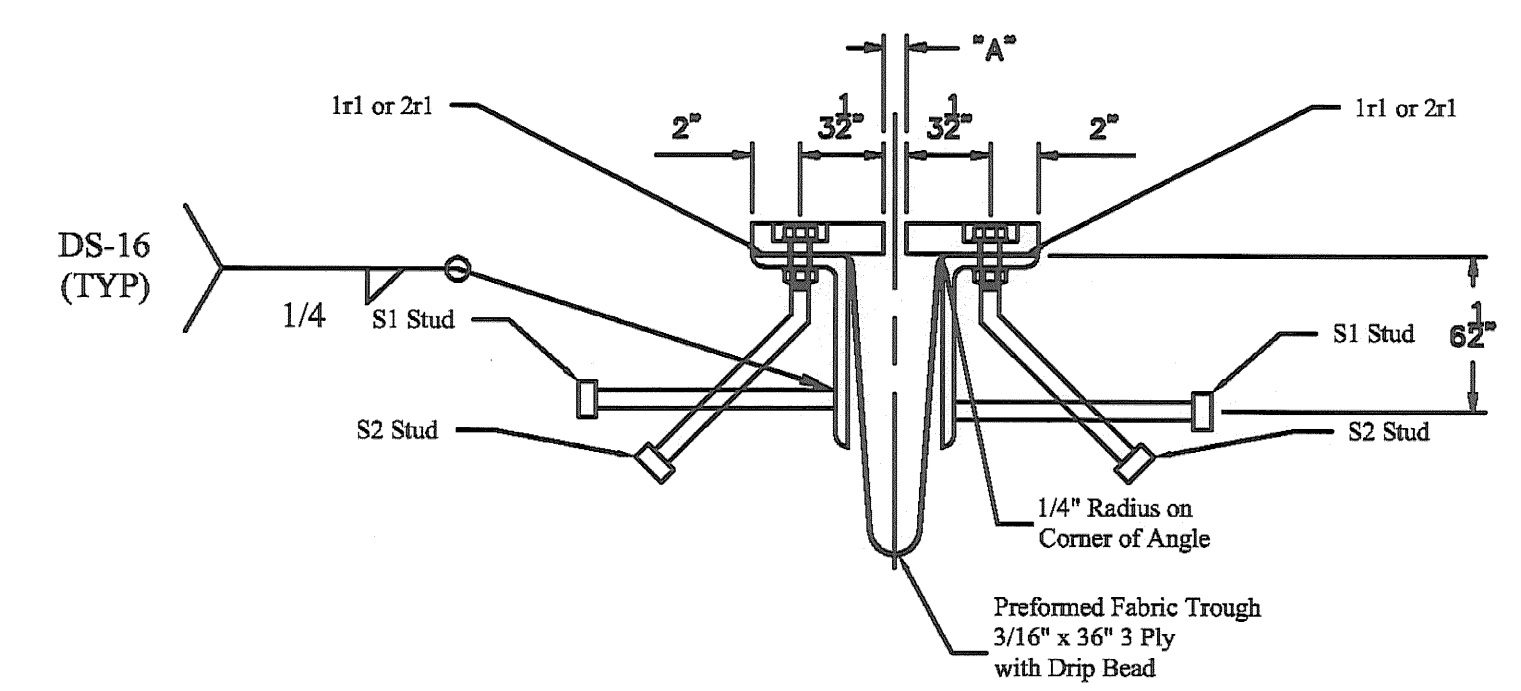
PARTIAL PLAN VIEW
(GIRDERS NOT SHOWN)



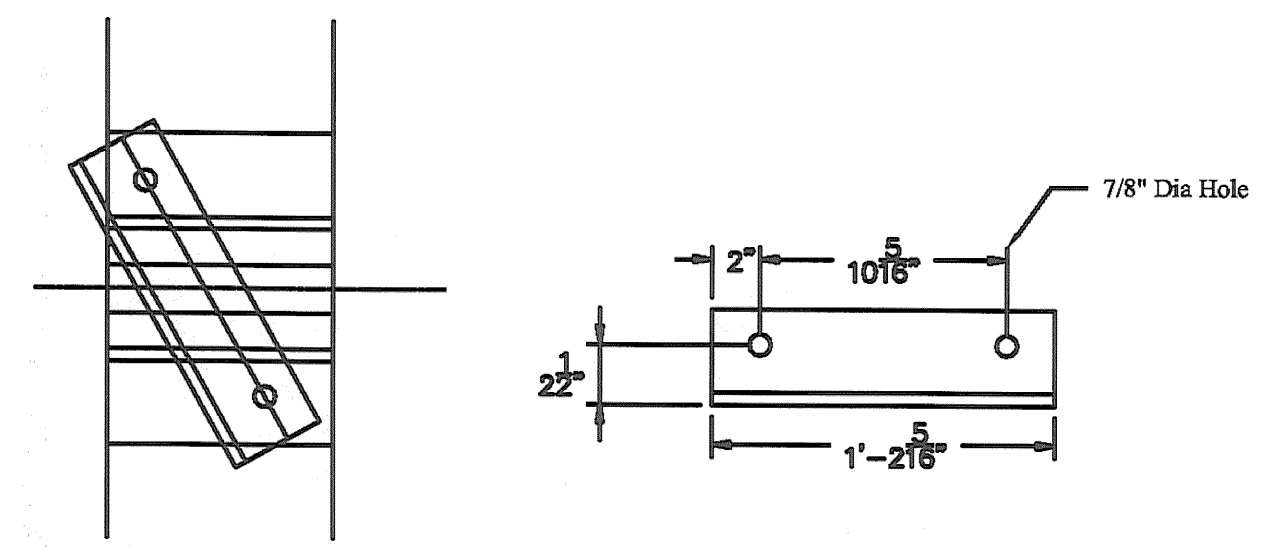
SECTION A-A
(DECK SLAB #1 SIDE)



SECTION B-B
(DECK SLAB #2 SIDE)



STUD ANCHOR DETAILS



3 REQ'D 2a7 - SHIPPING ANGLE DETAILS

BILL OF MATERIALS				
QTY	MARK	SHAPE	LENGTH	REMARKS
1	2J1	FINGER JOINT ASSEMBLY		
1	2a1	L 8" x 4" x 1/2"	36'-10 1/4"	
1	2a2	L 8" x 4" x 1/2"	36'-10 1/4"	
1	2p1	Plate 1/2" x 12"	1'-6 1/4"	
36	S1	3/4" x 10" Welded Stud		Str
36	S2	3/4" x 10" Welded Stud		Bent
2	2r1	1/16" x 3" Butyl Rubber x ?		
10	3S1	GIRDER SUPPORT PLATES		
1	4T2	TROUGH		
1	5P5	JOINT PLATE		
1	5P6	JOINT PLATE		
1	5P7	JOINT PLATE		
1	5P8	JOINT PLATE		
3	2a7	L 4" x 4" x 1/2"	1'-2 5/16"	
6		Bolt 3/4" x 3 1/2" Lg		

RECEIVED
 OK'D BY _____ OK'D BY _____
 JUN 02 2009
 PREPARED BY _____ APPROVED BY _____
 BY _____ DATE _____

REV NO.	DATE	DESCRIPTION
0	6-3-2009	SUBMITTED FOR APPROVAL
HOLES AS NOTED		
MATERIAL: AASHTO M 270 GRADE 36 GALV		

DRAWING COVERS	
VERMONT JOINT LAYOUT (PIER)	
PROJECT	MORETOWN STP DECK (37)
LOCATION	VERMONT 100B BRIDGE NO. 7
ENGINEER	VERMONT AGENCY OF TRANSPORTATION
CUSTOMER	CSS CONSTRUCTION

MERRIMACK SHEET METAL

119 HALL STREET
 CONCORD NH 03301

Tel. 603.224.7766
 Fax 603.224.7925

DRAWN BY: RL
 CHECKED BY: JD
 JOB NO: #2808
 DWG: F2