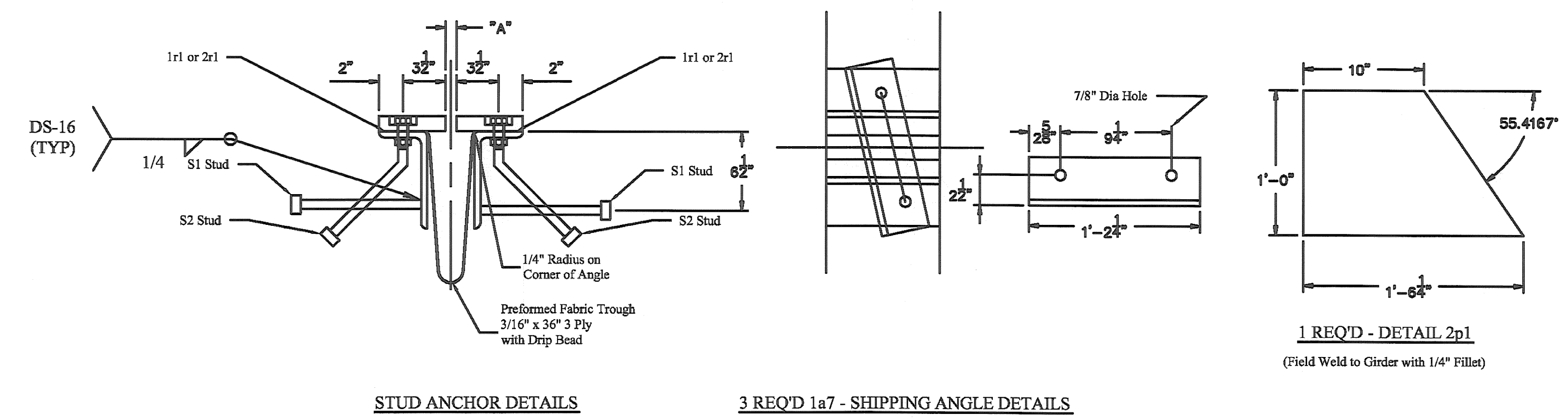


BILL OF MATERIALS				
QTY	MARK	SHAPE	LENGTH	REMARKS
1	1J1	FINGER JOINT ASSEMBLY		
1	1a1	L 8" x 4" x 1/2"	34'-9 1/2"	
1	1a2	L 8" x 4" x 1/2"	34'-9 1/2"	
34	S1	3/4" x 10" Welded Stud		Str
34	S2	3/4" x 10" Welded Stud		Bent
2	1r1	1/16" x 3" Butyl Rubber x 35'		
10	3S1	GIRDER SUPPORT PLATES		
1	4T1	TROUGH		
1	5P1	JOINT PLATE		
1	5P2	JOINT PLATE		
1	5P3	JOINT PLATE		
1	5P4	JOINT PLATE		
3	1a7	L 4" x 4" x 1/2"	1'-2 1/4"	
6		Bolt 3/4" x 3 1/2" Lg		



RECEIVED  
 OK'D BY \_\_\_\_\_ OK'D BY \_\_\_\_\_  
 JUN 09 2009  
 RESUBMIT \_\_\_\_\_ APPROVED \_\_\_\_\_  
 BY \_\_\_\_\_ DATE \_\_\_\_\_

REV NO.	DATE	DESCRIPTION
0	6-3-2009	SUBMITTED FOR APPROVAL
HOLES AS NOTED		
MATERIAL: AASHTO M 270 GRADE 36 GALV		

DRAWING COVERS

**VERMONT JOINT LAYOUT (ABUTMENT)**

PROJECT	MORETOWN STP DECK (37)
LOCATION	VERMONT 100B BRIDGE NO. 7
ENGINEER	VERMONT AGENCY OF TRANSPORTATION
CUSTOMER	CSS CONSTRUCTION

MERRIMACK SHEET METAL

119 HALL STREET  
 CONCORD NH 03301

Tel. 603.224.7766  
 Fax 603.224.7925

DATE SUBMITTED

DRAWN BY: RL  
 CHECKED BY: JD  
 JOB NO: #2808  
 DWG: F1