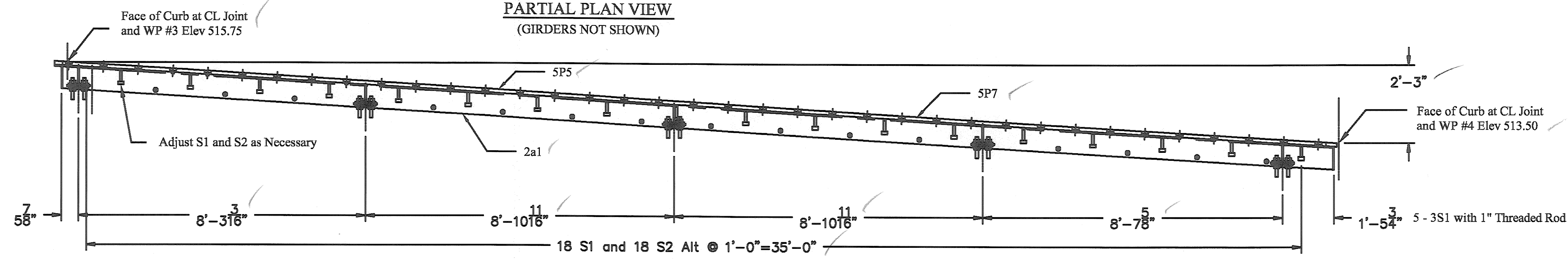
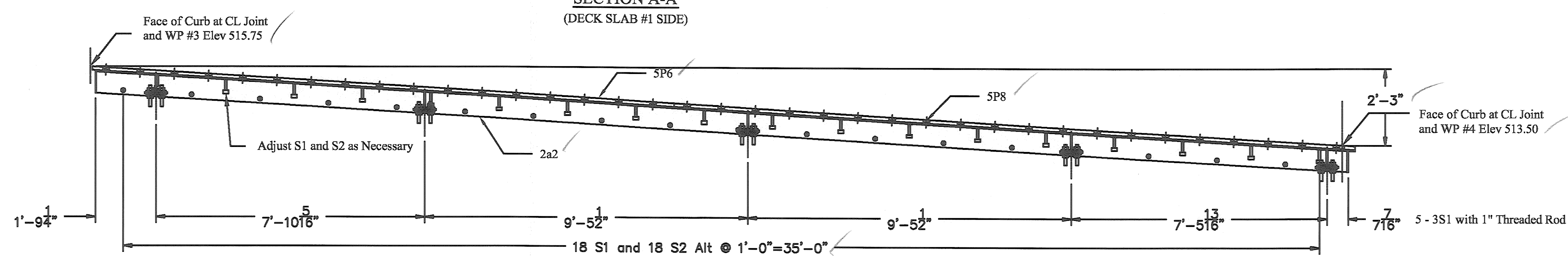


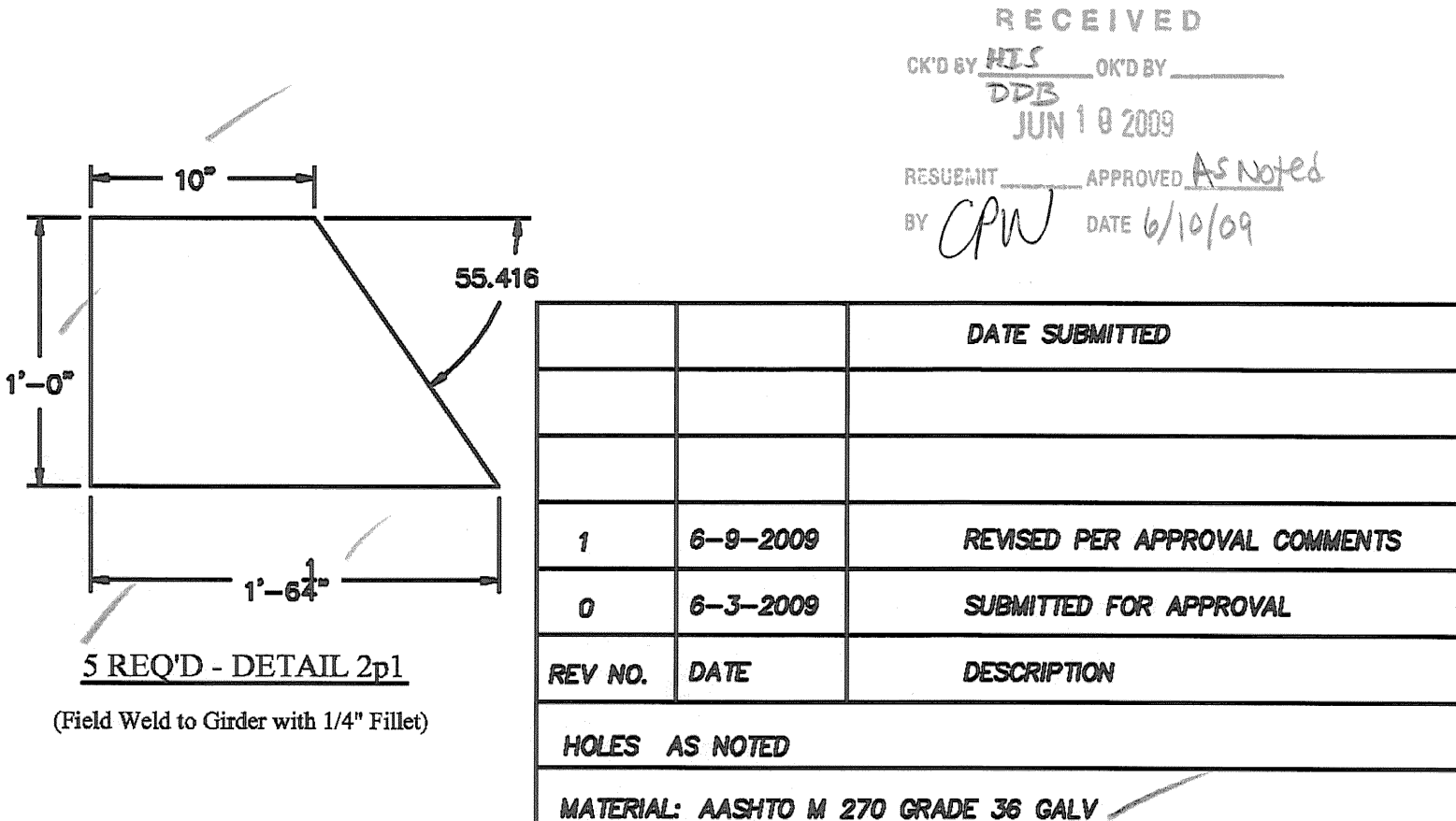
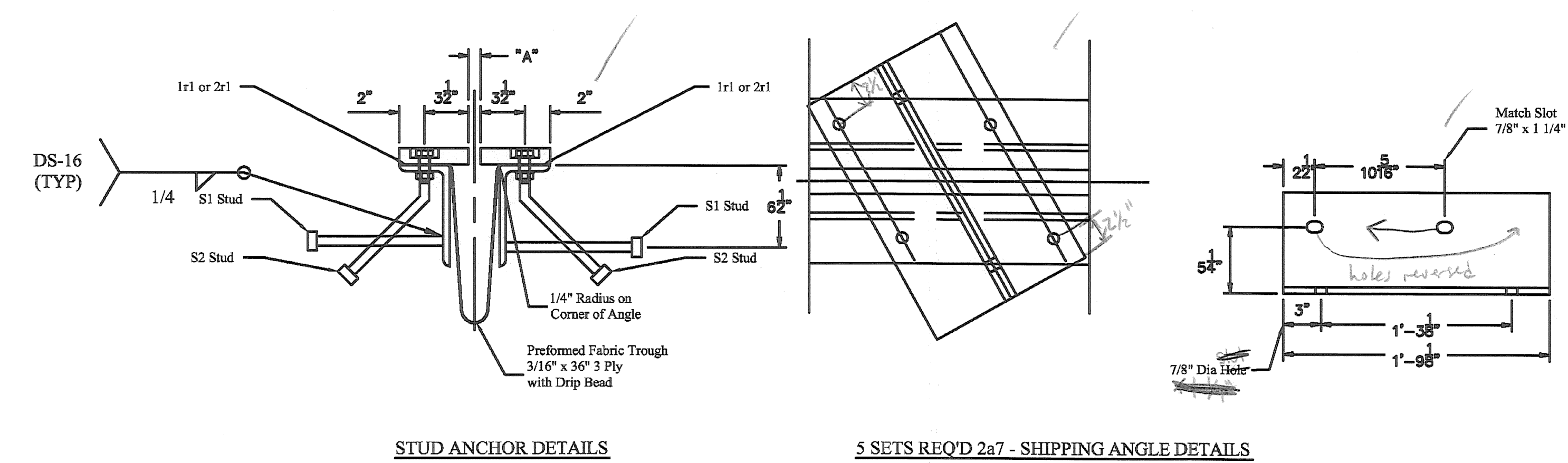
PARTIAL PLAN VIEW
(GIRDERS NOT SHOWN)



SECTION A-A
(DECK SLAB #1 SIDE)



SECTION B-B
(DECK SLAB #2 SIDE)



RECEIVED
OK'D BY: *HTS* OK'D BY: _____
DPB JUN 10 2009
RESUBMIT APPROVED: *As Noted*
BY: *CPW* DATE 6/10/09

REV NO.	DATE	DESCRIPTION
1	8-9-2009	REVISED PER APPROVAL COMMENTS
0	8-3-2009	SUBMITTED FOR APPROVAL

HOLES AS NOTED

MATERIAL: AASHTO M 270 GRADE 36 GALV

BILL OF MATERIALS				
QTY	MARK	SHAPE	LENGTH	REMARKS
1	2J1	VERMONT JOINT ASSEMBLY		
1	2a1	L 8" x 4" x 1/2"	36'-10 1/4"	
1	2a2	L 8" x 4" x 1/2"	36'-10 1/4"	
5	2p1	Plate 1/2" x 12"	1'-6 1/4"	
36	S1	3/4" x 10" Welded Stud		Str
36	S2	3/4" x 10" Welded Stud		Bent
2	2r1	1/16" x 3" Butyl Rubber x 37'-0"		
10	3S1	GIRDER SUPPORT PLATES		
1	4T2	TROUGH		
1	5P5	JOINT PLATE		
1	5P6	JOINT PLATE		
1	5P7	JOINT PLATE		
1	5P8	JOINT PLATE		
10	2a7	L 8" x 4" x 1/2"	1'-9 1/8"	
20		Bolt 3/4" x 3 1/2" Lg		
10		Bolt 3/4" x 1 1/2" Lg		

STRUCTURES
COPY

DRAWING COVERS

VERMONT JOINT LAYOUT (PIER)

PROJECT	MORETOWN STP DECK (37)
LOCATION	VERMONT 100B BRIDGE NO. 7
ENGINEER	VERMONT AGENCY OF TRANSPORTATION
CUSTOMER	CSS CONSTRUCTION

MERRIMACK SHEET METAL

119 HALL STREET
CONCORD NH 03301

Tel. 603.224.7766
Fax 603.224.7925

DRAWN BY: RL
CHECKED BY: JD
JOB NO: #2808
DWG: F2