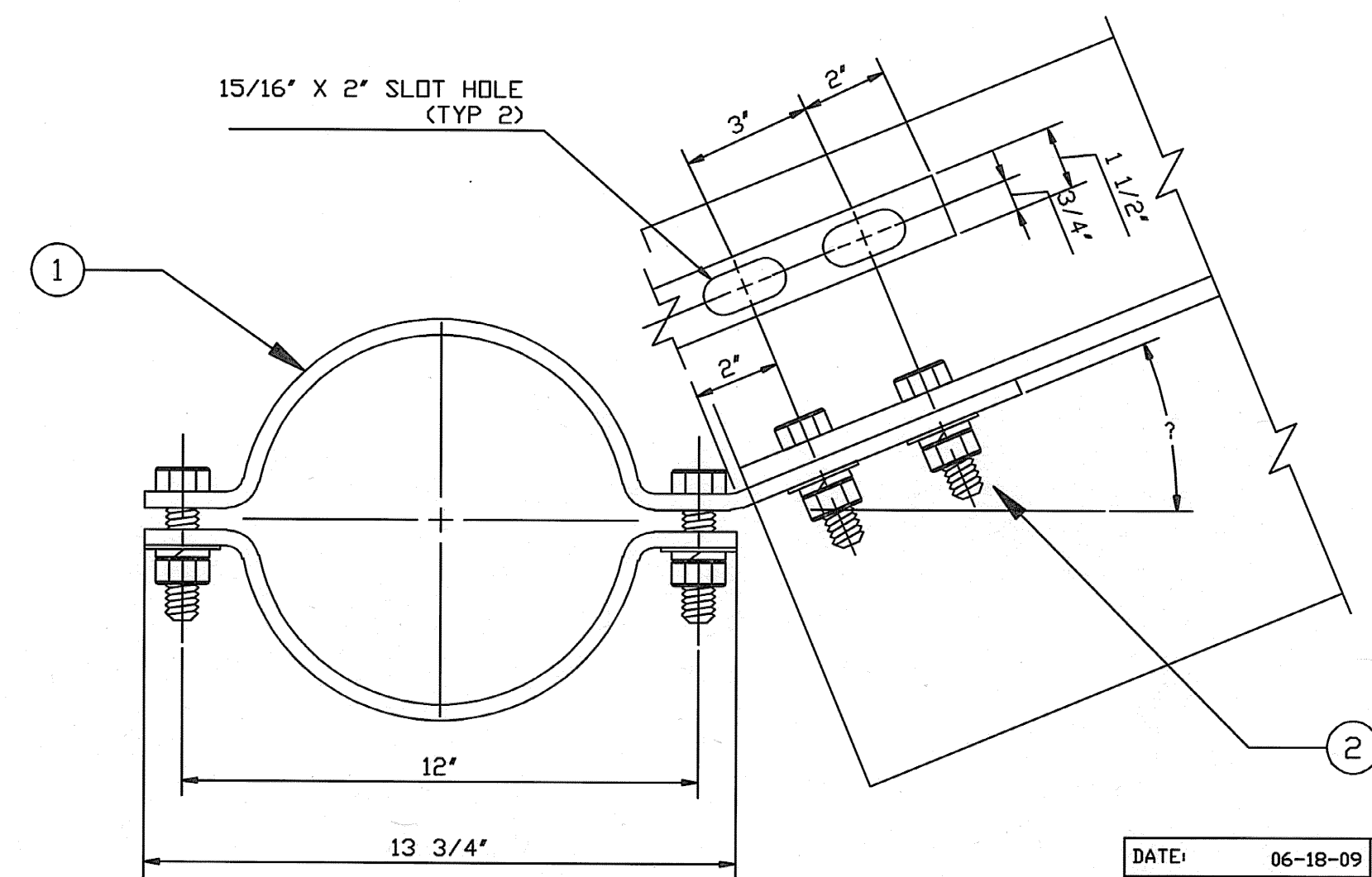



BILL OF MATERIAL			
MARK	QTY.	DESCRIPTION	FINISH
1	1	8" SPECIAL MEDIUM PIPE CLAMP (3/8" X 1-1/2")	ASTH A53 A153 GALV.
2	4	3/4" X 2" HEX HEAD BOLT, FW AND LW	A153 GALV.



DATE:	06-18-09	UNITED FIBERGLASS of America, Inc. 		
PIPE SIZE:	8"			
QUOTE:	K32-249			
SCALE:	NTS			
DRAWN BY:	D.P.B.	PROJECT MORETOWN, VT STP DECK (37) DRAIN PIPE		
APPROVED:		REFERENCE DRAWINGS	REVISION NO.	DATE REVISED
DATE:		1) _____	0	0
		2) _____	SHEET: 1 OF 1	
QUANTITY		TITLE		
		8" PIPE CLAMP DETAIL TYPE-B		