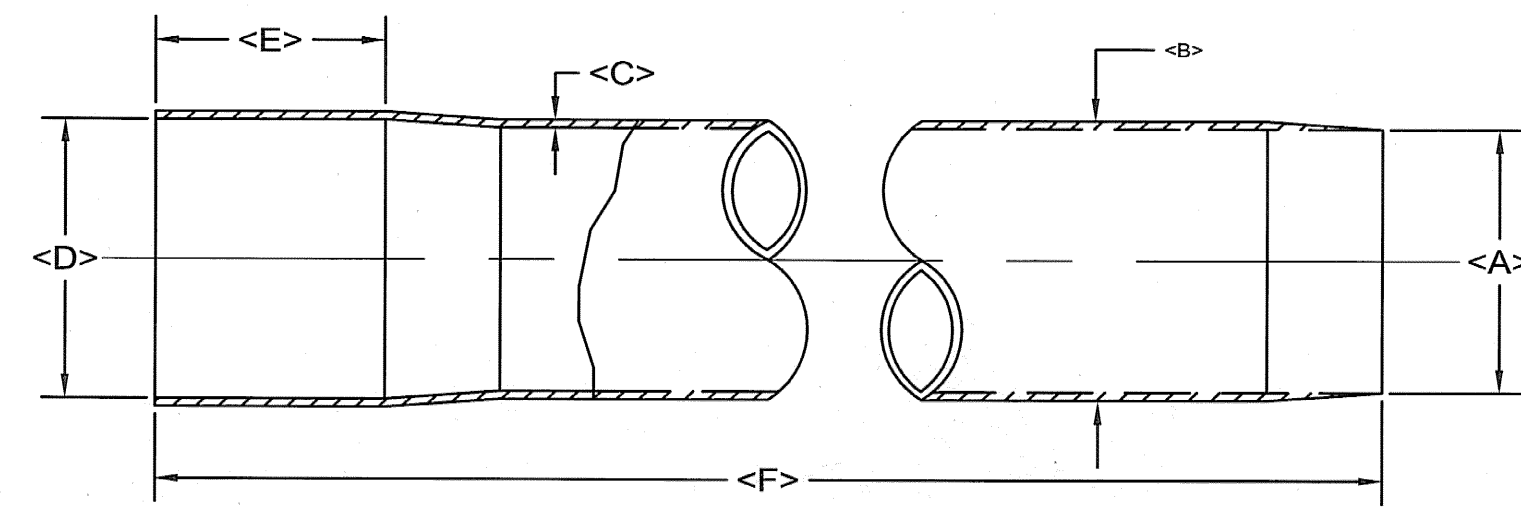


Drawing Number:

PRODUCT	REV	DESCRIPTION OF CHANGE	DATE	APPROVED
CONDUIT	1			
CONDUIT	2			
CONDUIT	3			
CONDUIT	4			



Note:
Bridge drain pipe may come with or without integral bell depending upon customer specifications.

Size	Part Number	A (I.D.)	B (O.D.)	C (Wall)	D	E	F	Lbs./Ft.
6" HW	UF60A-HW-BD-20-1	6.38"	6.60"	.110"	6.62"	3.00"	240"	1.75
8" SW	UF80A-SW-BD-20-1	8.40"	8.62"	.110"	8.64"	3.00"	240"	2.29
10" SW	UF100A-SW-BD-20-1	10.45"	10.75"	.150"	10.77"	3.00"	240"	3.9
12" SW	UF120A-SW-BD-20-1	12.45"	12.75"	.150"	12.77"	3.00"	240"	4.63

Notice
Information contained in this document is proprietary and shall not be used, copied, reproduced or disclosed in whole or in part without written consent of United Fiberglass of America, Inc.

UNITED FIBERGLASS
OF AMERICA, INC.

P.O. BOX 1511
SPRINGFIELD, OHIO 45501

PHONE 800-905-7506

PRODUCT DESCRIPTION

United Fiberglass Bridge Drain

Job:

Location:

This Drawing Issued For:	Issue Date:	Approved By:	Date:
<input type="checkbox"/> Preliminary Use <input type="checkbox"/> Not For Construction <input type="checkbox"/> For Approval	02/09/09		