

Fig. 667
90° Elbow

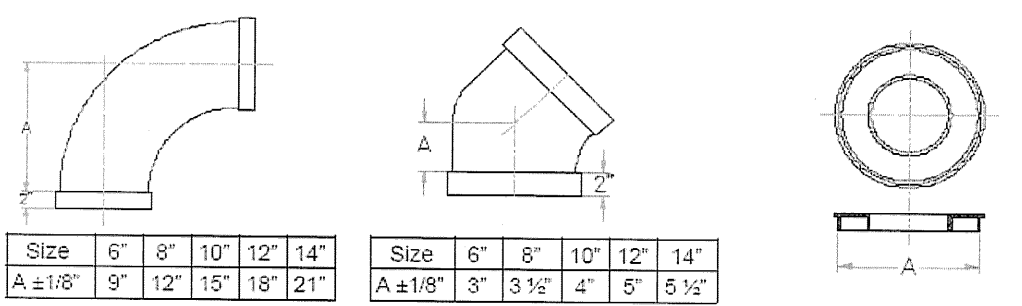


Fig. 665
45° Elbow

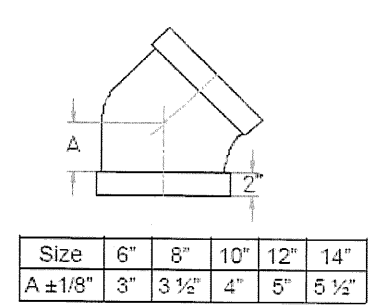


Fig. 633s
Socket Cleanout

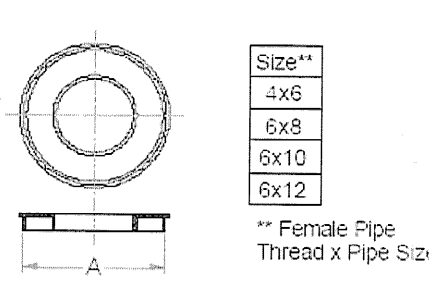


Fig. 613
Tee Saddle

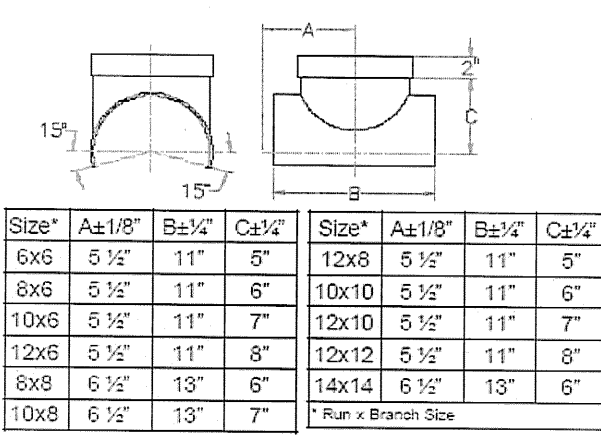


Fig. 615
45° Lateral Saddle

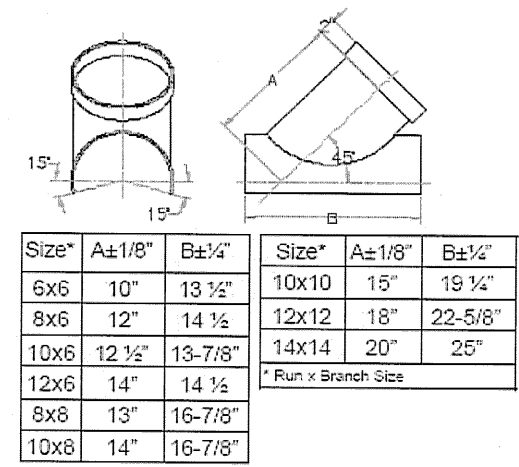


Fig. 634
Drain Reducer

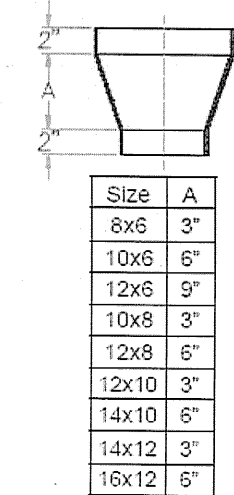


Fig. 618
Socket Flange
(150# Drilling or Blank Face Available)

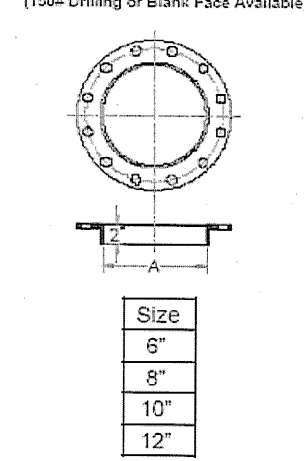


Fig. 604
Trash Cover Assembly

