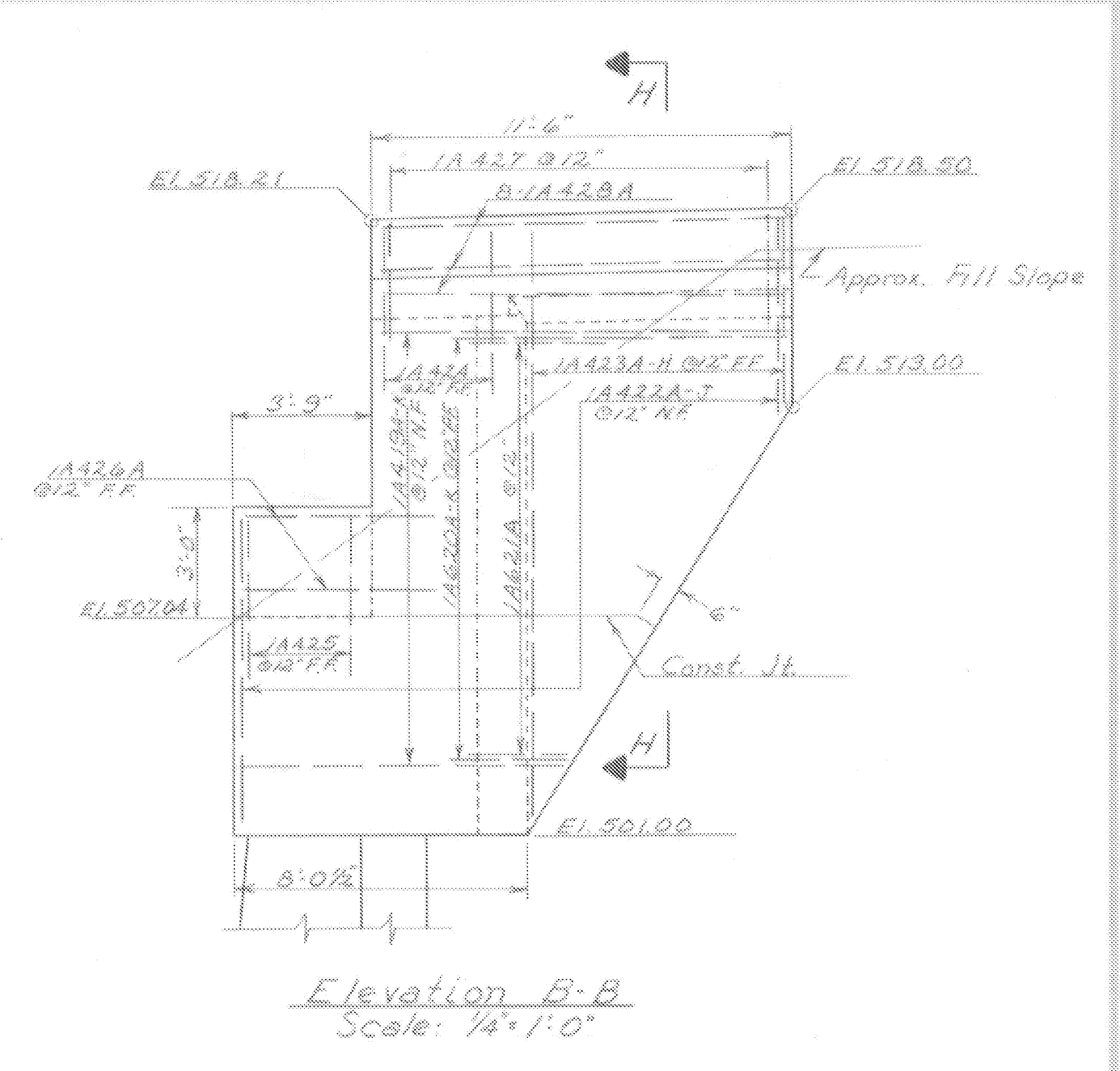
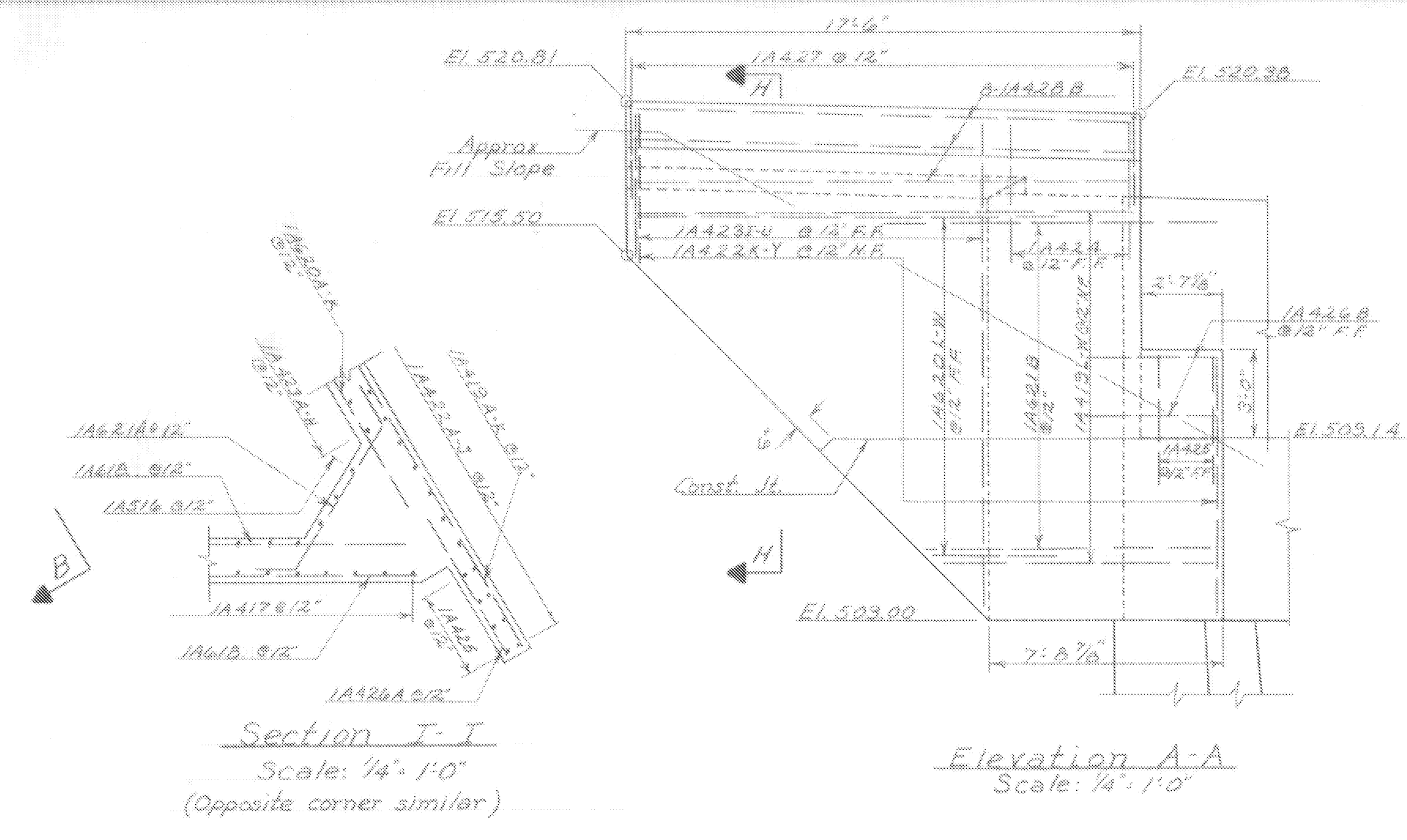
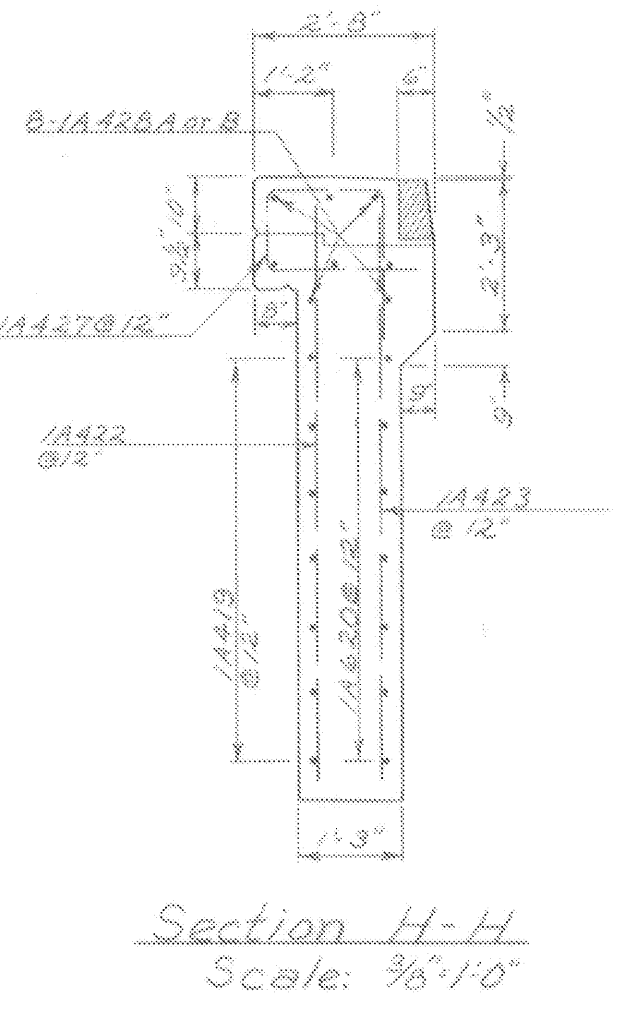
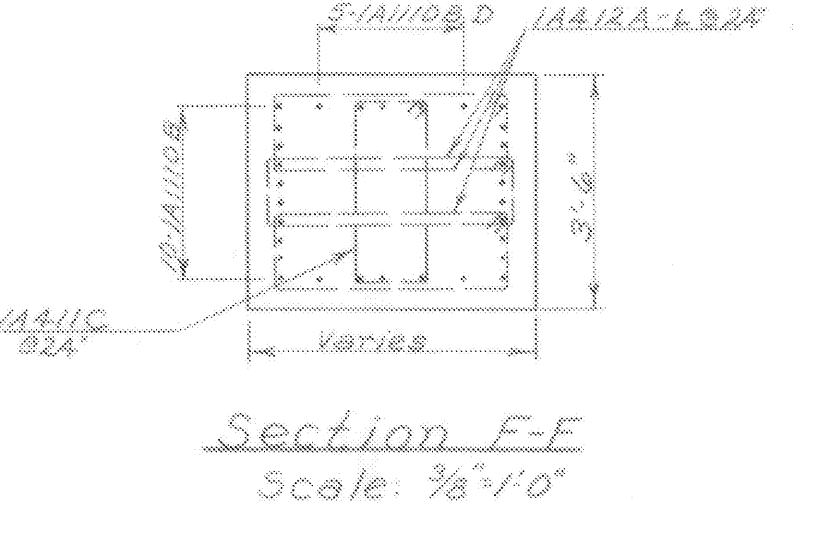
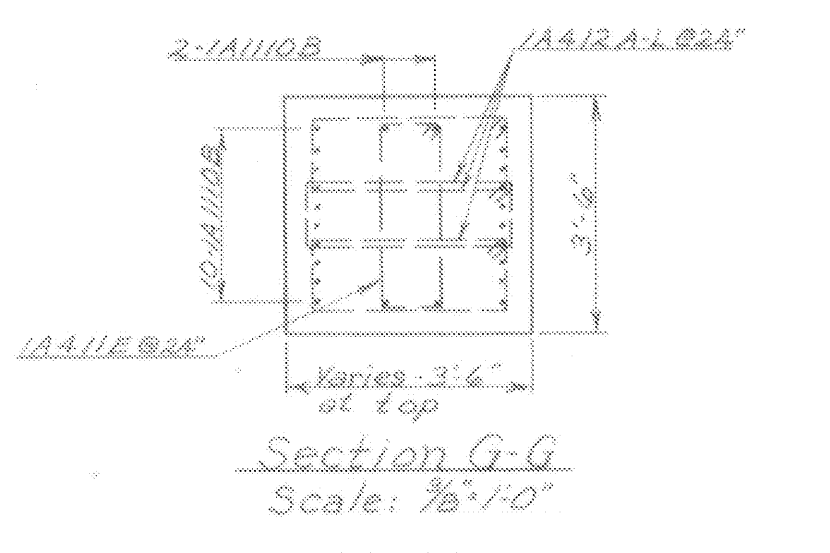
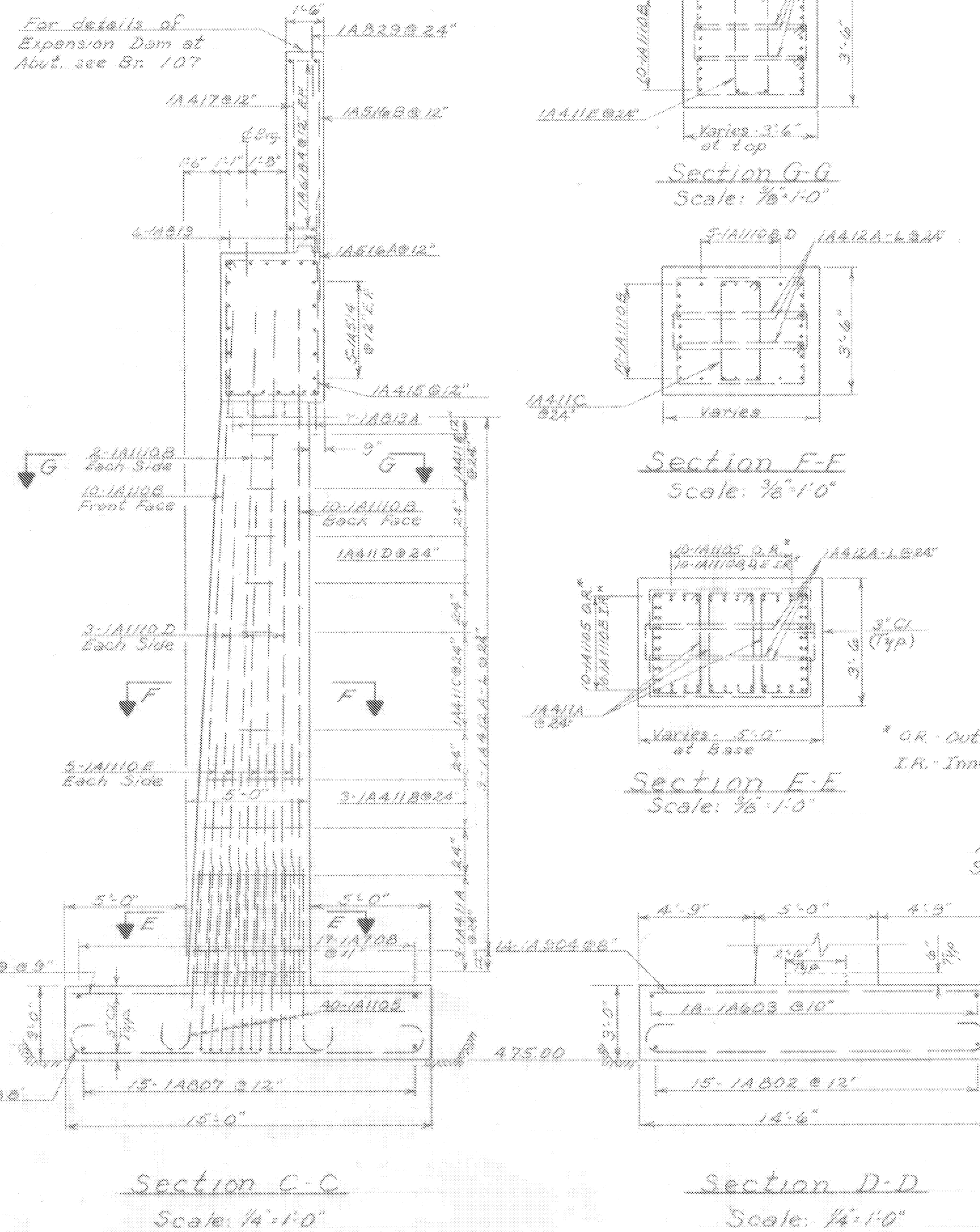


Note: Col. 1 dimensions are typical for all columns. Col. 1 footing dimensions are typical for Col. 3

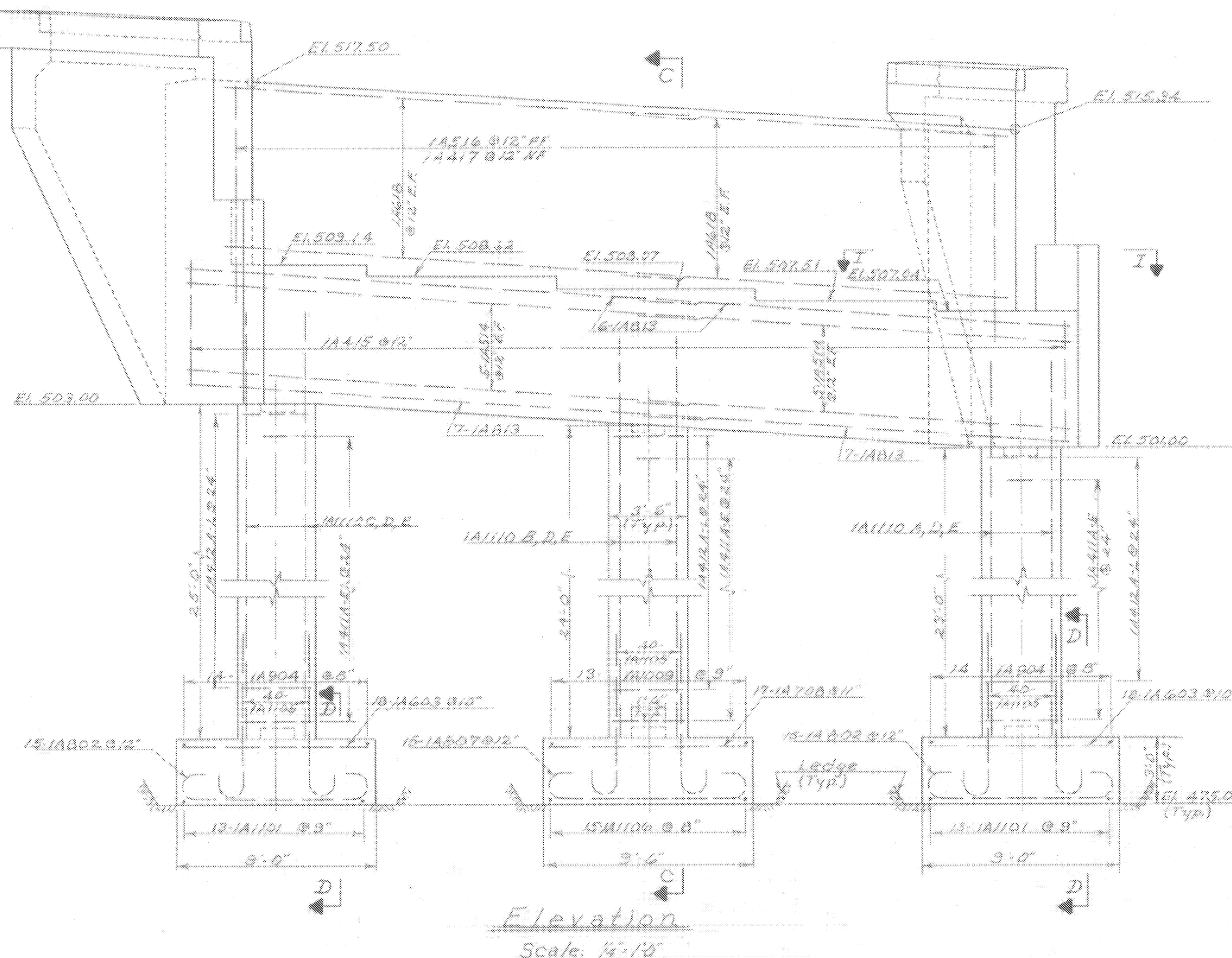
Sta. 100-B, Abut. #1
Br. Sta. 290+55.00
Fin. Gr. Elev. 518.38



For details of Expansion Dam at Abut. see Br. 107



For Abutment Notes see Br. 112
For minimum limits of Granular Base see Br. 112



Note: Column Steel similar to Section C-C.

Br 111 of 121

STATE OF VERMONT
DEPARTMENT OF HIGHWAYS

TOWN OF Moretown
ROUTE No. 100-B LOG STA 292.05
Route 100-B over Mad River
Abutment #1
SCALE As noted

SURVEYED BY
DRAWN BY WBT CHECKED BY RLO
PROJECT No. S-0167(3)
SHEET 57 OF 104

MORETOWN
STP DECK(37)
SHEET 22 OF 25
FOR REFERENCE ONLY