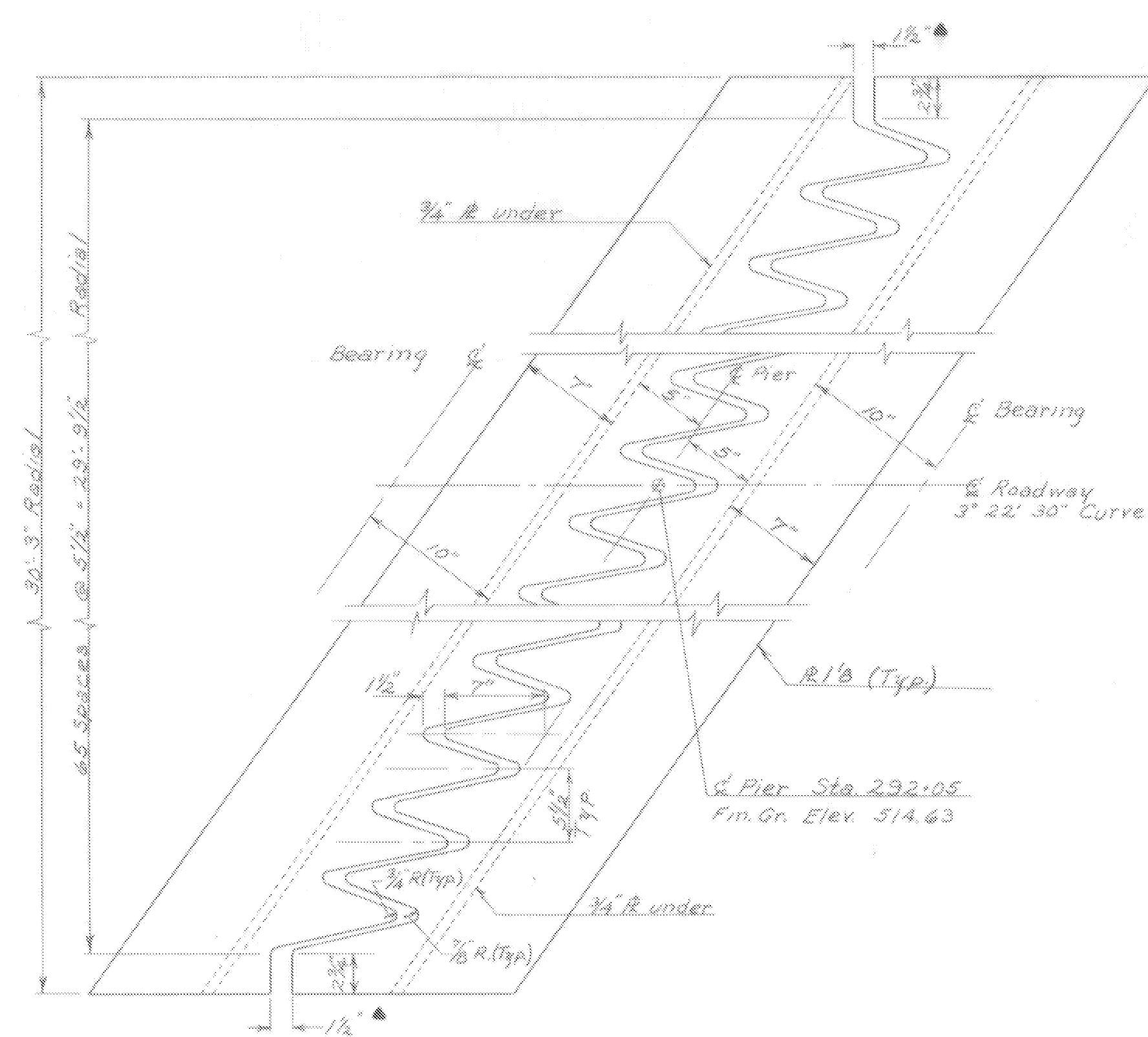
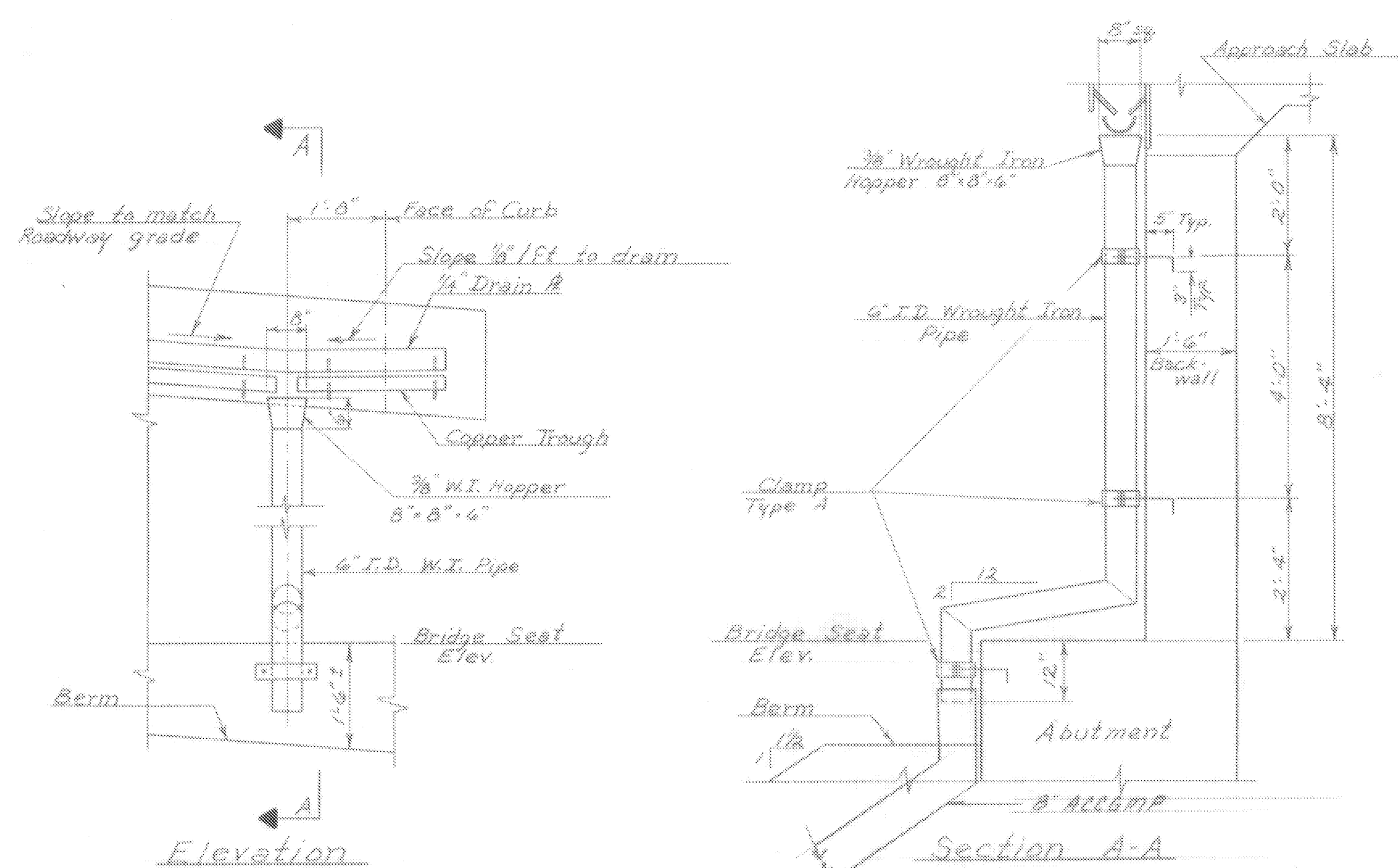


Finger # Detail at Abutment #1
Scale: 1/2" = 1'-0"

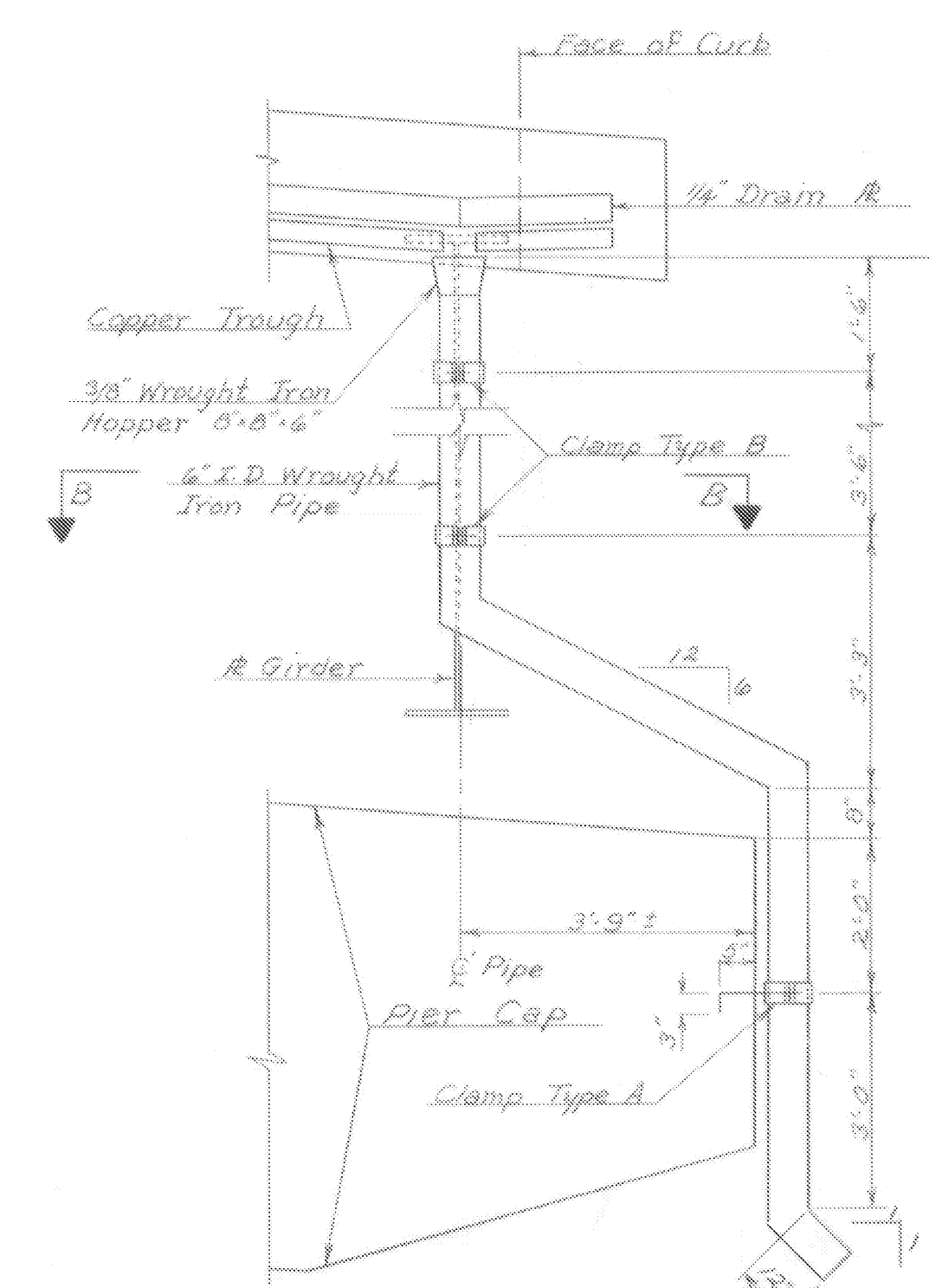


Finger # Detail at Pier
Scale: 1/2" = 1'-0"

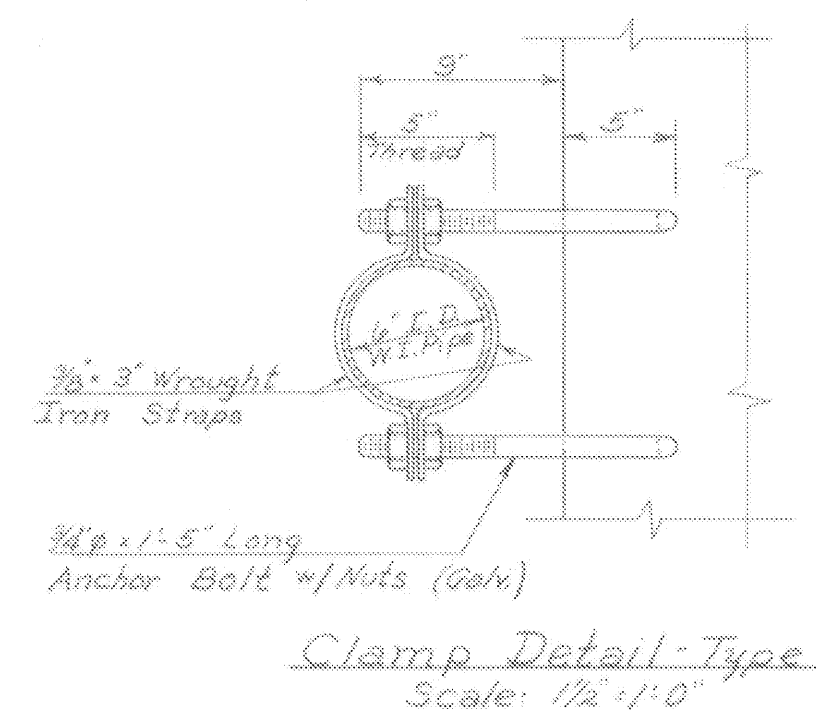
Notes
1. All clear dimensions indicated ▲ are for 68°F.



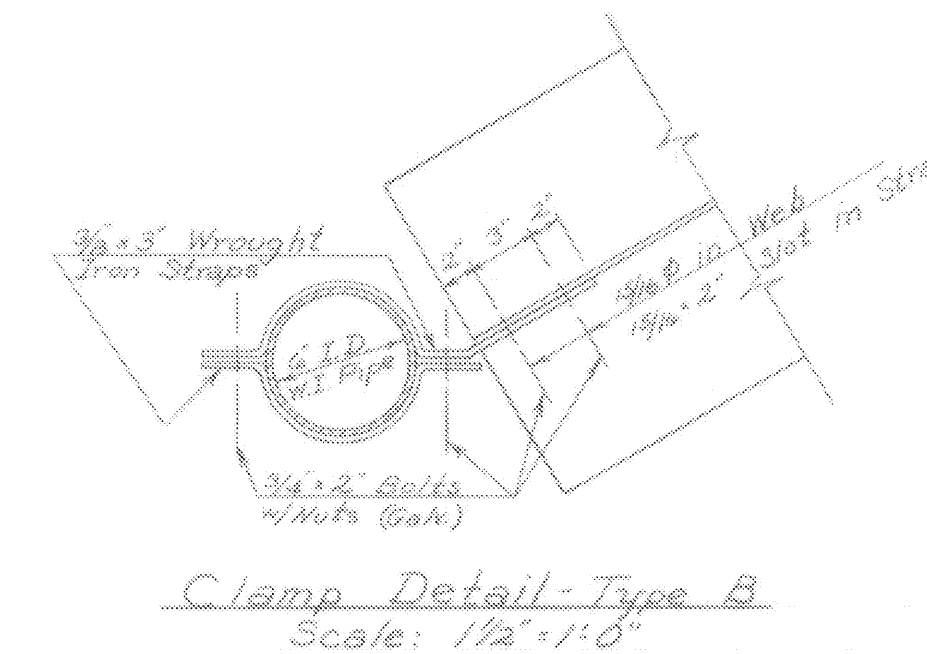
Abutment #1 Drainage Pipe Detail
Scale: 1/2" = 1'-0"



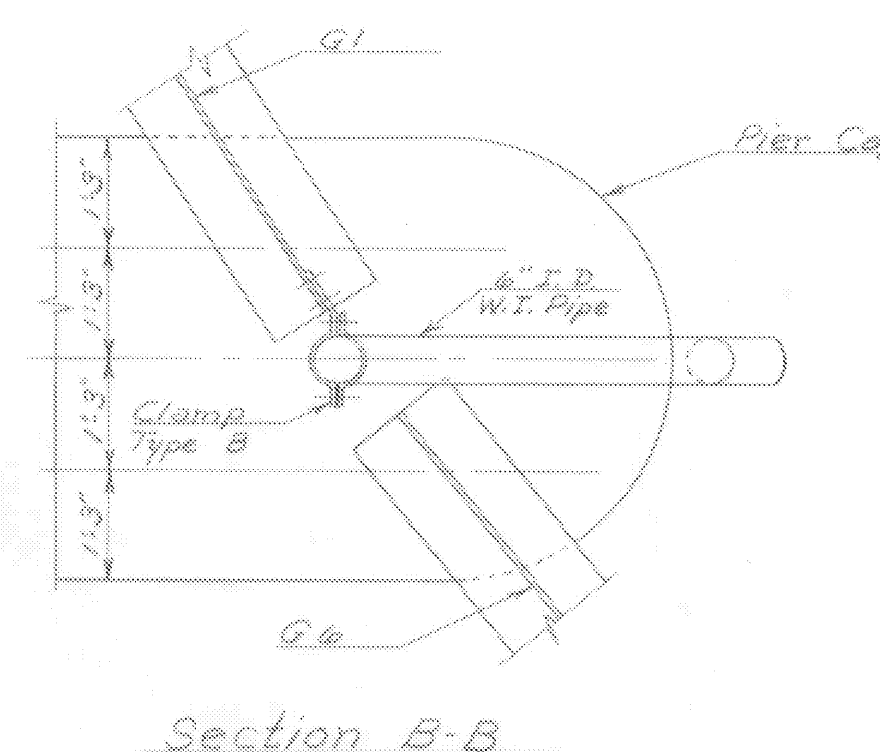
Pier Drainage Pipe Detail
Scale: 1/2" = 1'-0"



Clamp Detail - Type A
Scale: 1/2" = 1'-0"



Clamp Detail - Type B
Scale: 1/2" = 1'-0"



Section B-B

MORETOWN
STP DECK (87)
SHEET 19 OF 25
FOR REFERENCE ONLY
Br 108 of 121

STATE OF VERMONT
DEPARTMENT OF HIGHWAYS

TOWN OF Moretown
ROUTE NO. 100-B LOG STA. 292.05
Route 100-B over Mad River
Finger #, Drainage, & Bumper Details
SCALE As noted

SURVEYED BY _____
DRAWN BY WBT CHECKED BY RLO
PROJECT NO. S-0167(3)
SHEET 54 OF 104