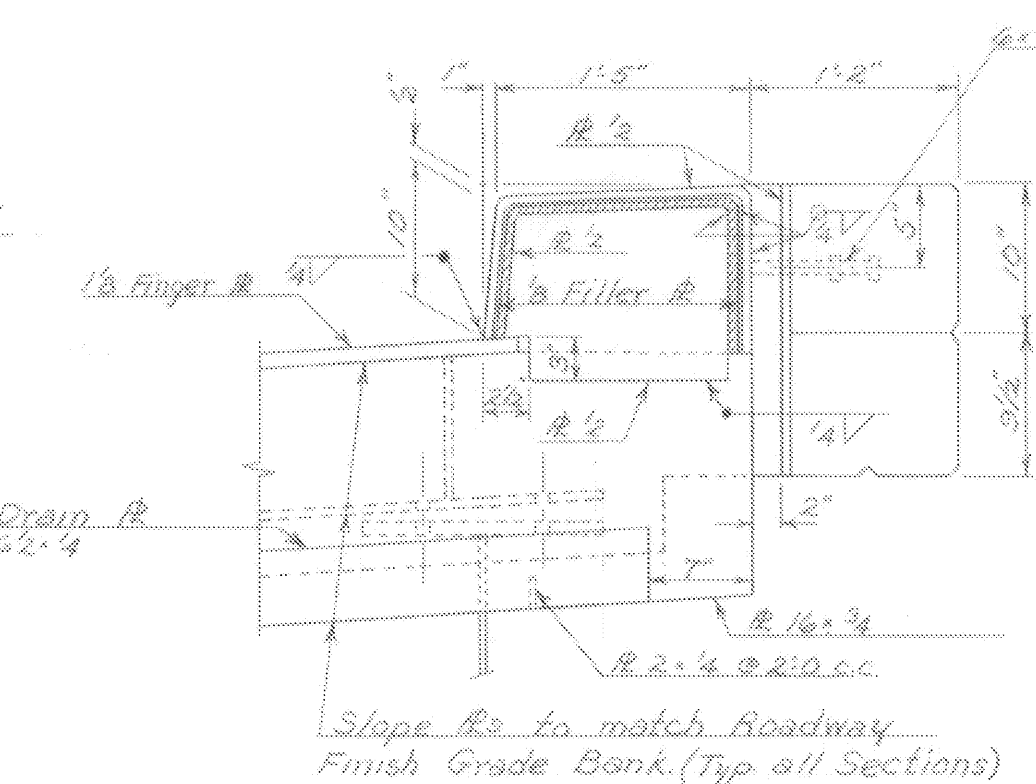
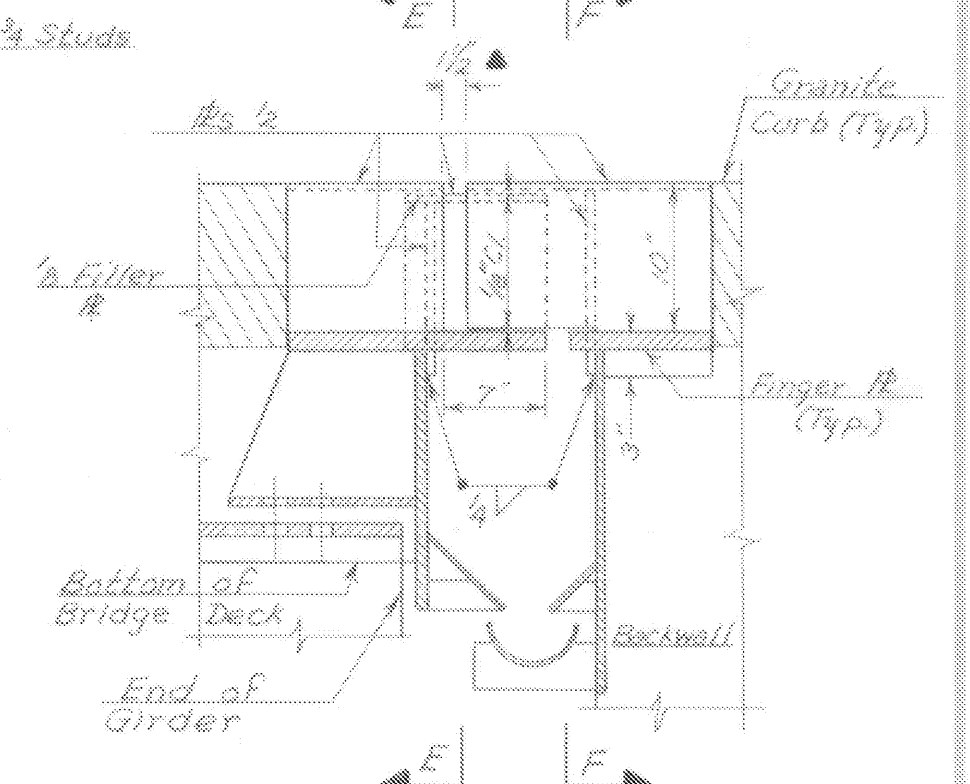


Plan of Expansion Dam at Abutment #1
Scale: 1" = 1'-0"

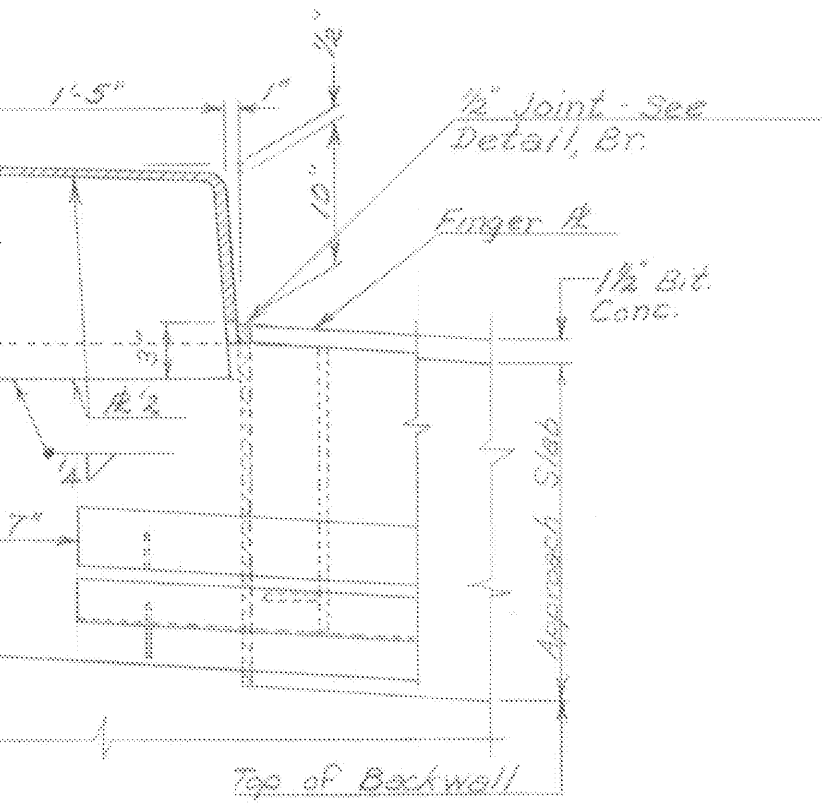
Plan of Expansion Dam at Pier
Scale: 1" = 1'-0"



Section E-F
Scale: 1" = 1'-0"

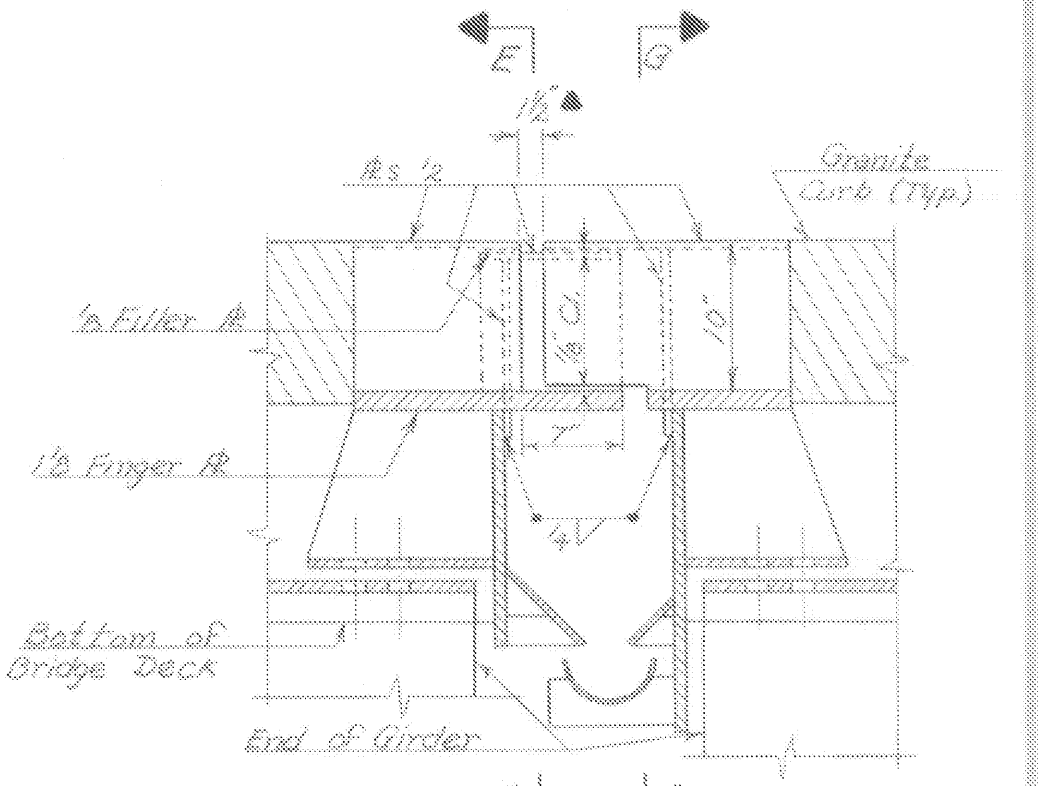


Section C-C
Scale: 1" = 1'-0"

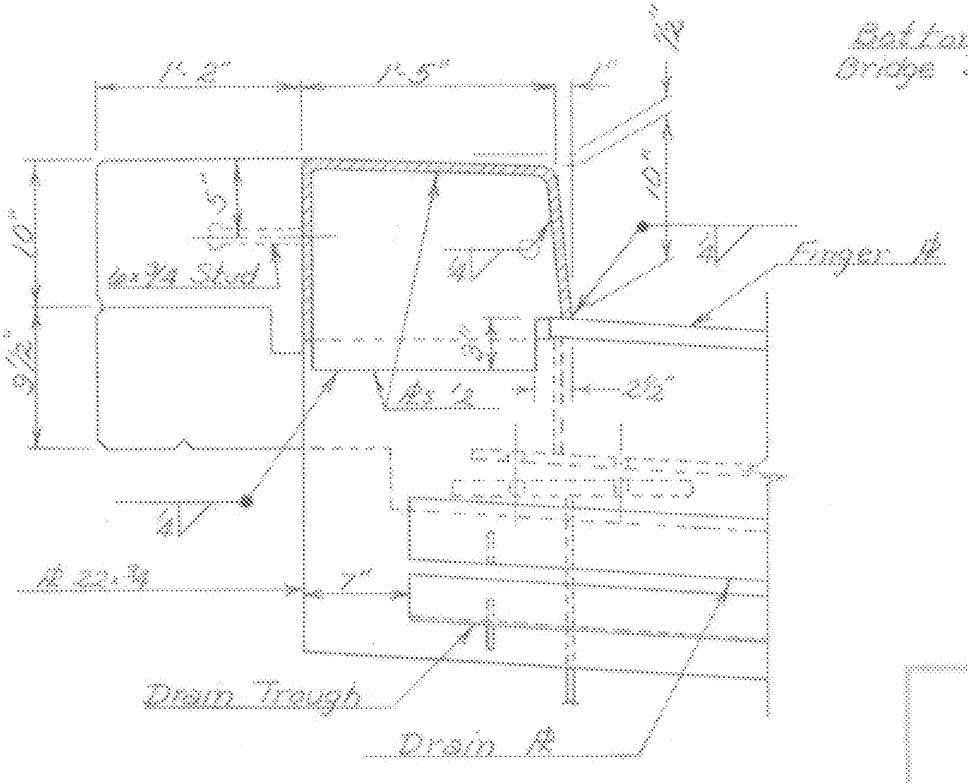


Section F-F
Scale: 1" = 1'-0"

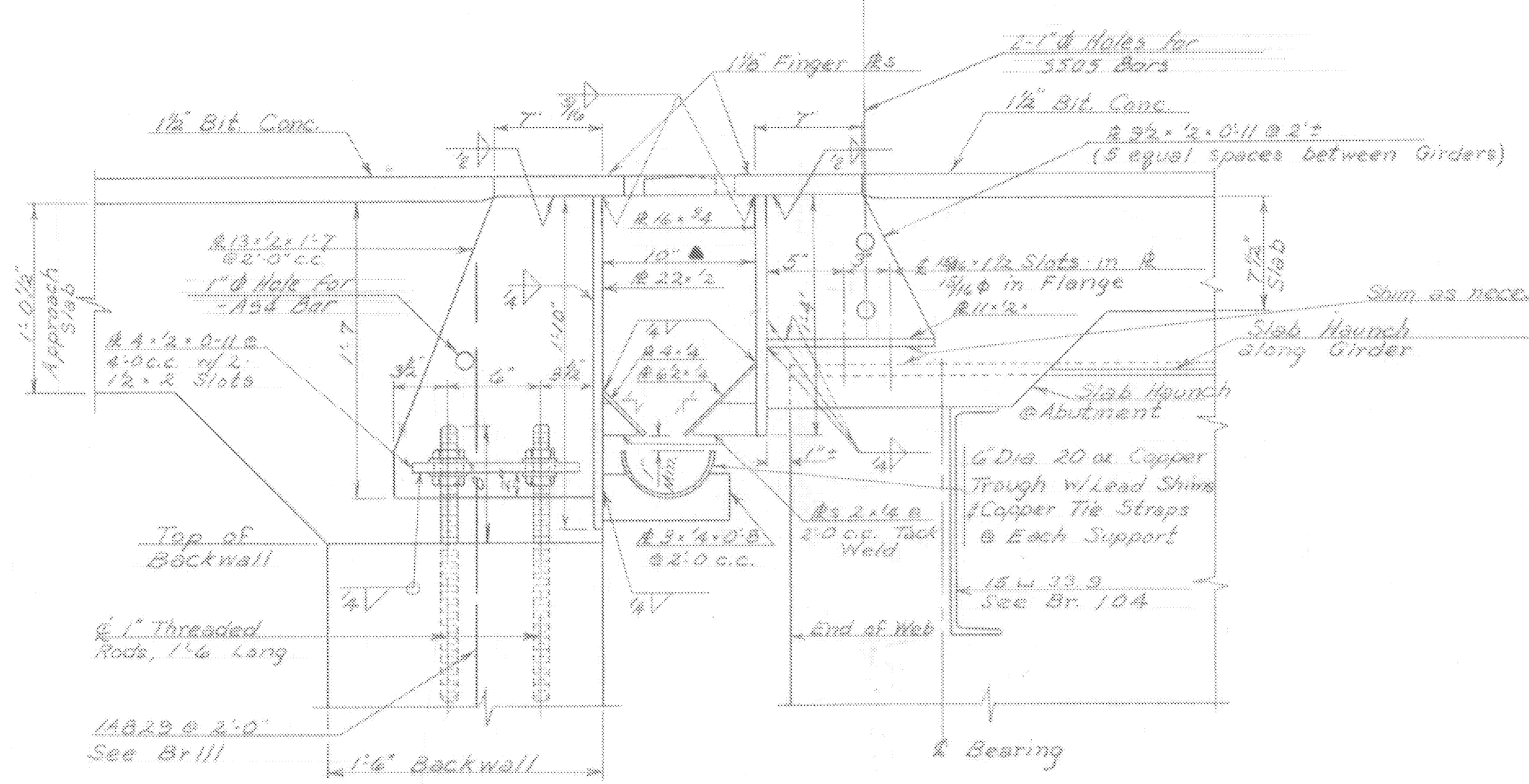
- Notes**
1. All clear dimensions indicated ▲ are for 68° F.
 2. All steel for the Expansion Dams shall be ASTM A-242 unless otherwise noted, except plates completely embedded in concrete may be ASTM A-36 steel.
 3. See Br. 100 For General Notes.
 4. See Br. 108 for additional details of Drain Trough and Rs. and Finger Rs.



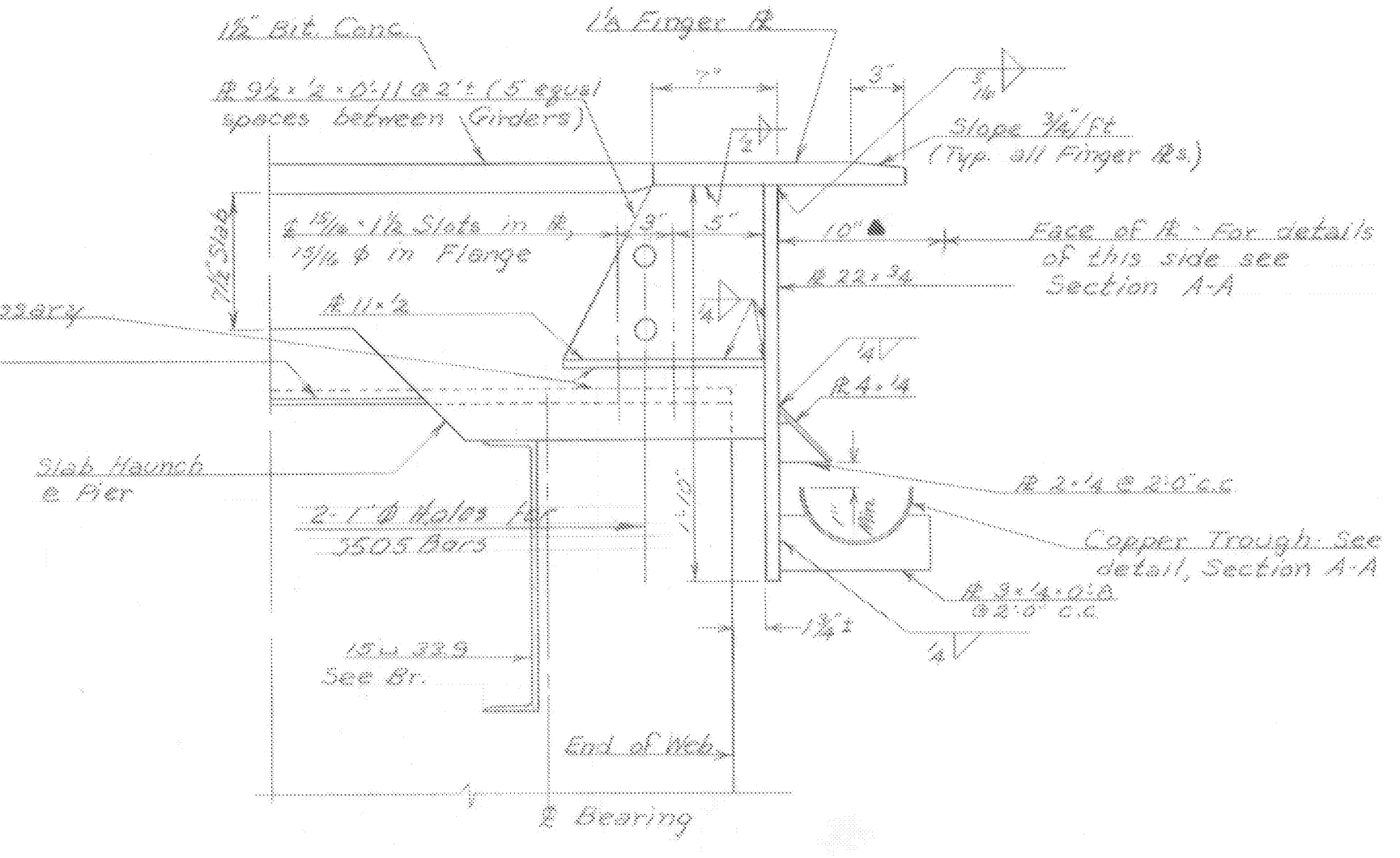
Section D-D
Scale: 1" = 1'-0"



Section G-G
Scale: 1" = 1'-0"



Section A-A
Scale: 1 1/2" = 1'-0"



Section B-B
Scale: 1 1/2" = 1'-0"

MORETOWN
STP DECK(37)
SHEET 18 OF 25
FOR REFERENCE ONLY
Br. 107 of 121

STATE OF VERMONT
DEPARTMENT OF HIGHWAYS

TOWN OF Moretown
ROUTE No. 100-B LOG STA 292.05
Rte. 100-B over Mad River
Expansion Dam Details
SCALE As noted
SURVEYED BY
DRAWN BY W.B.T. CHECKED BY R.L.O.
PROJECT No. S-0167(3)
SHEET 53 OF 104