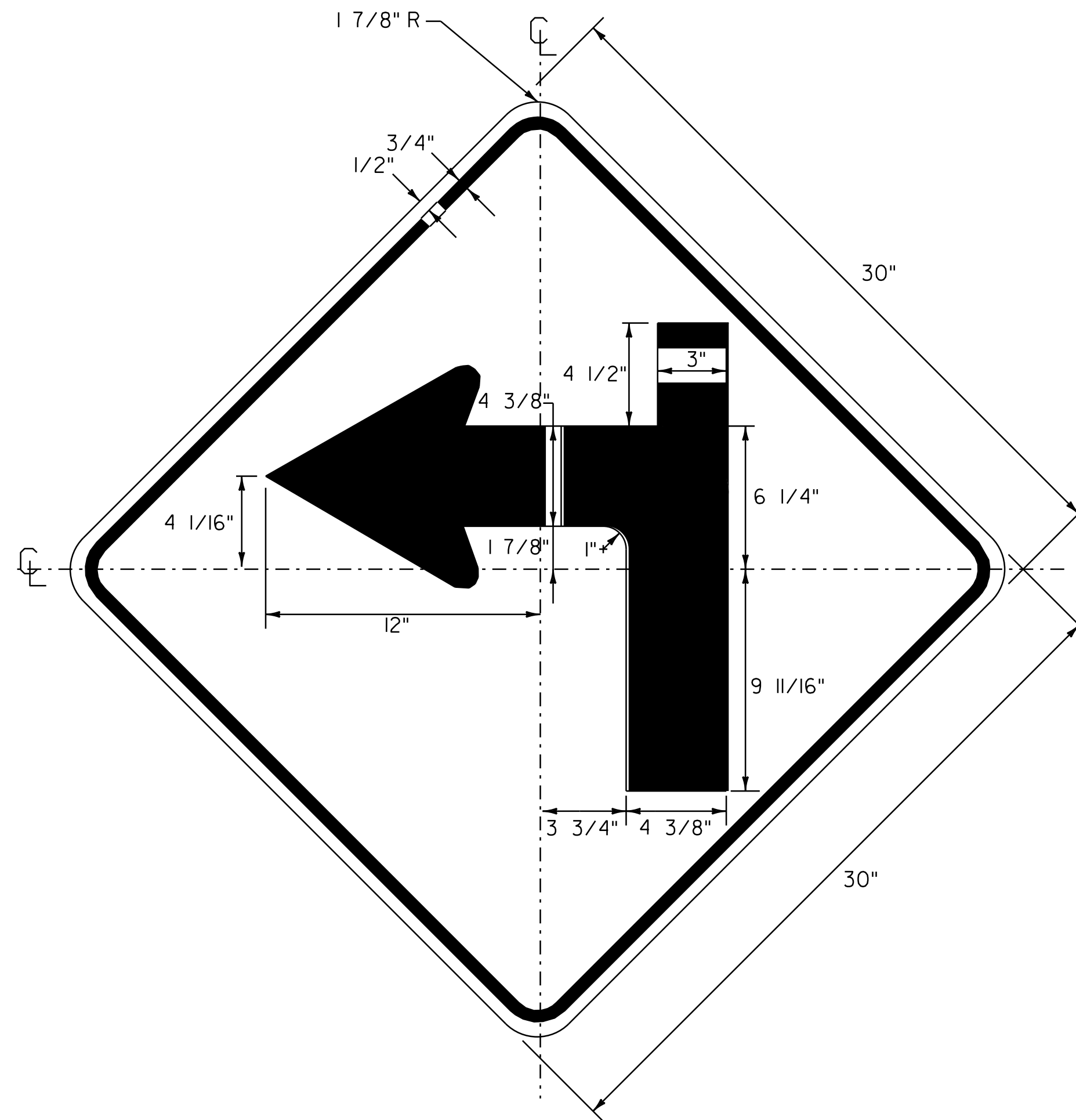


W1-1MaR

BLACK BORDER & SYMBOL
 WITH YELLOW (RETROREFLECTIVE) BACKGROUND
 SEE VTRANS STANDARD E-150 FOR MATERIALS

LOCATIONS

WESTFORD STA. 259+50, RT

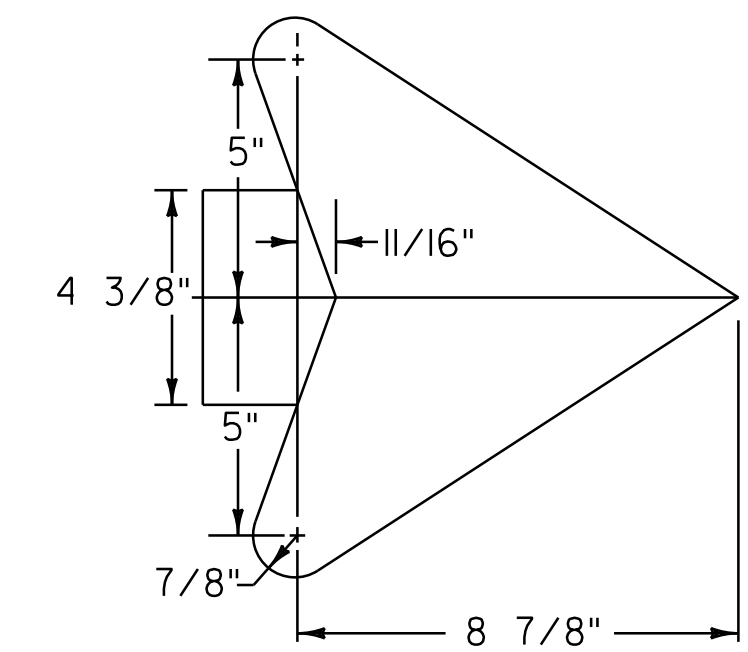


W1-1MbL

BLACK BORDER & SYMBOL
 WITH YELLOW (RETROREFLECTIVE) BACKGROUND
 SEE VTRANS STANDARD E-150 FOR MATERIALS

LOCATIONS

WESTFORD STA. 271+29, LT



ARROW DETAIL

NOT TO SCALE

**TRAFFIC
 SIGN
 DETAIL
 SHEET**



PROJECT NAME: WESTFORD - FAIRFAX
 PROJECT NUMBER: STP 2804(1)

FILE NAME: p08c212.dgn
 PROJECT LEADER: JLL
 DESIGNED BY: STANTEC
 IPARM FILE: p08c212tsd.i

PLOT DATE: 31-OCT-2012 13:59
 DRAWN BY: STANTEC
 CHECKED BY: JLL
 SHEET 70 OF 79