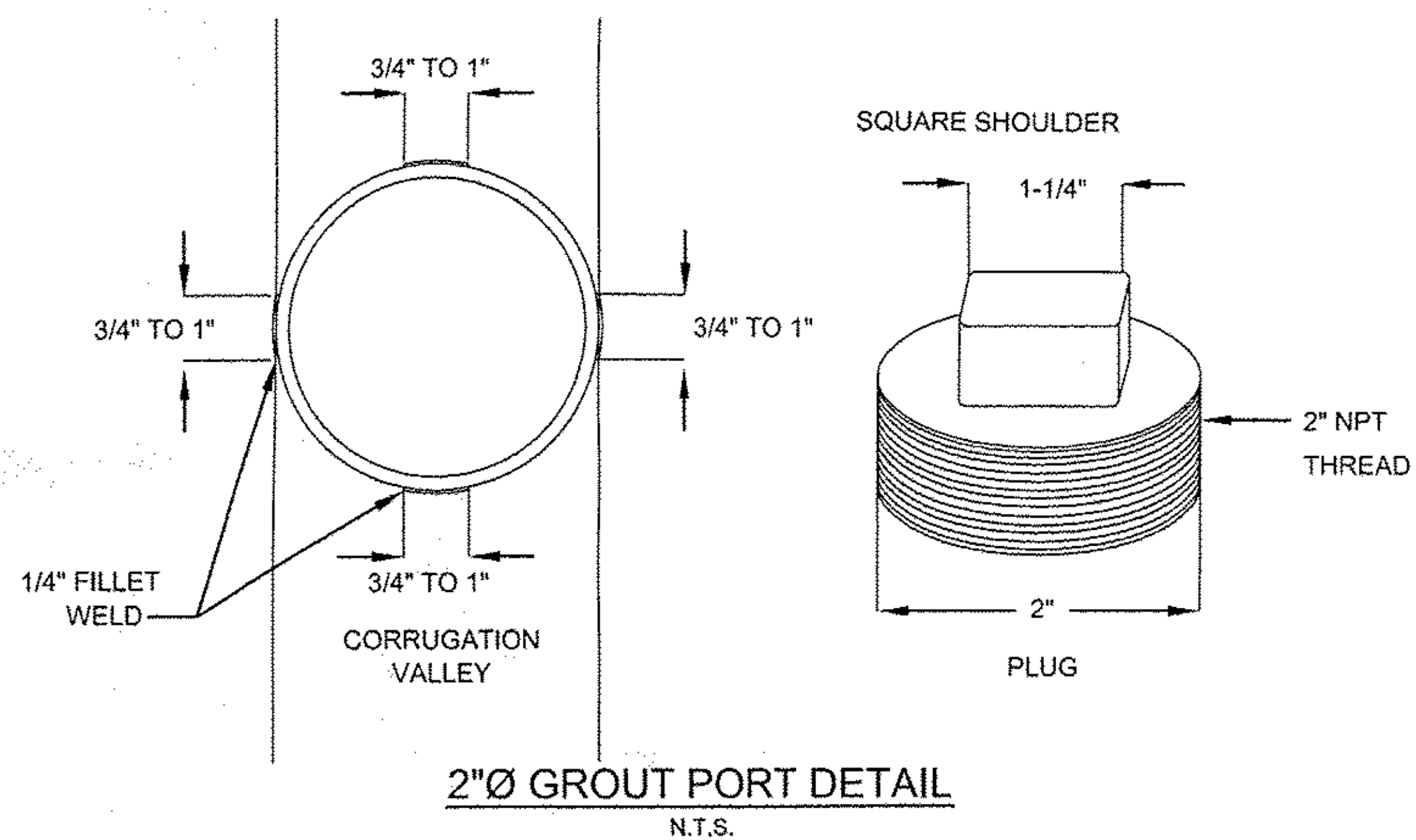
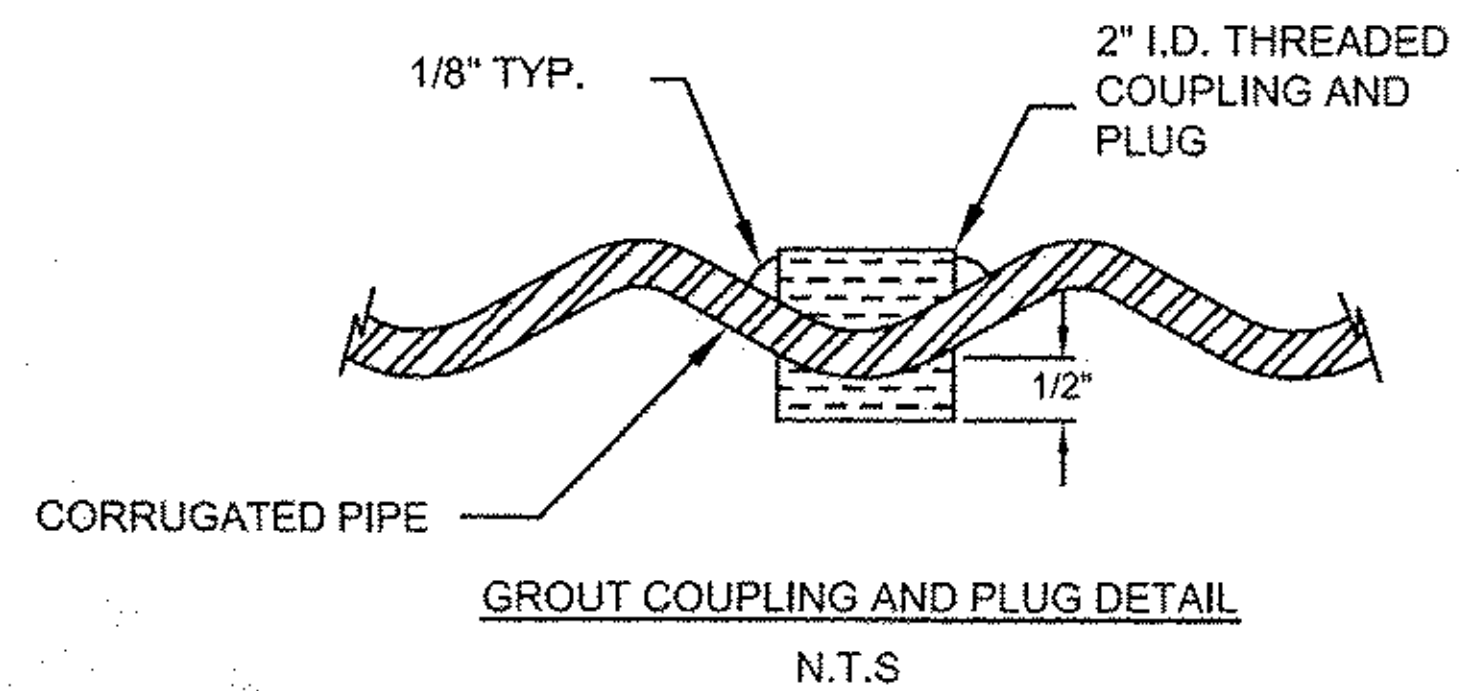
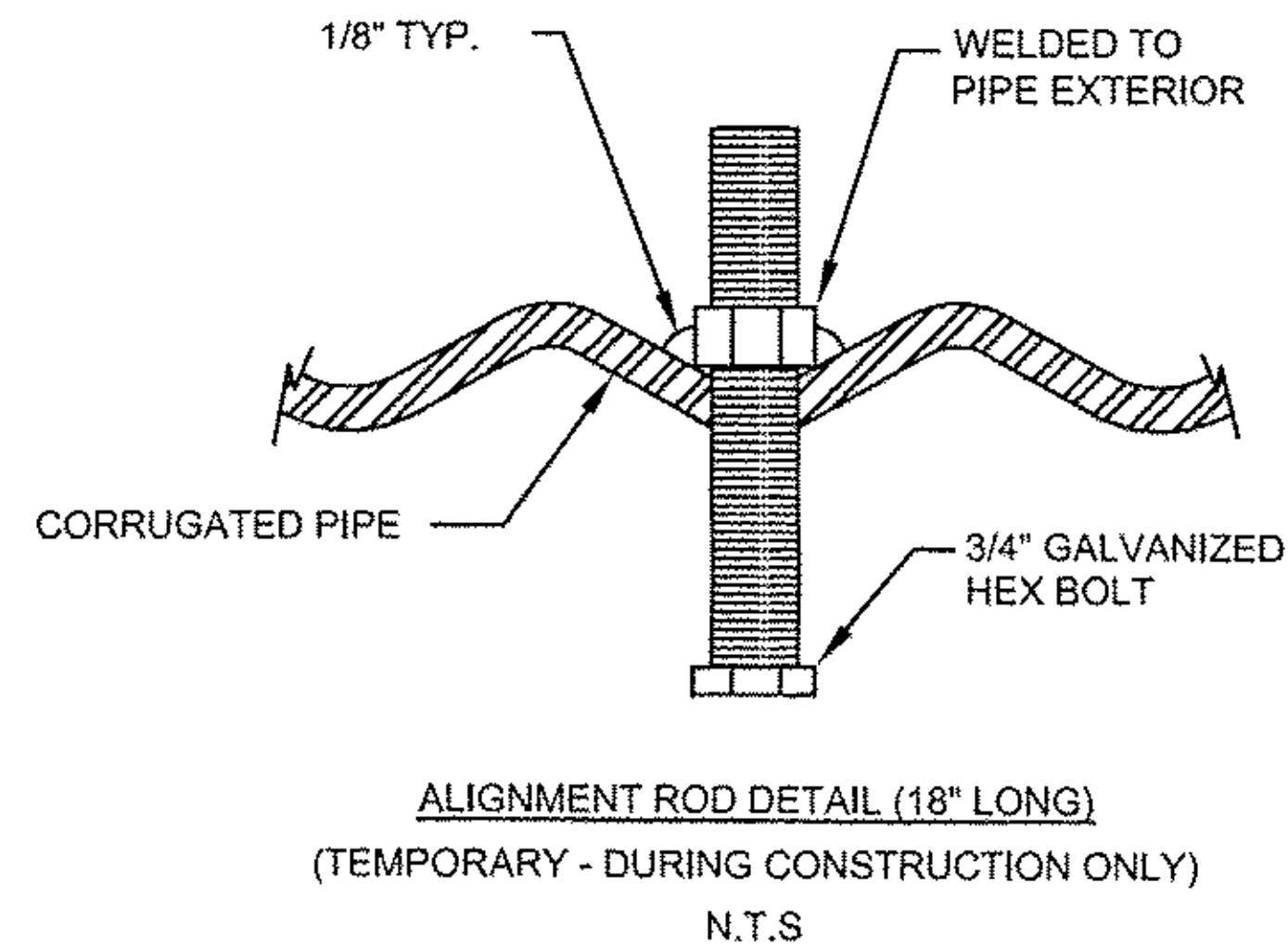


CORRUGATIONS	PIPE PRODUCTS
2-2/3"X1/2"	ALUMINIZED

GENERAL NOTES:

1. REFER TO CONTECH BAND SELECTION GUIDE FOR BAND WIDTH, GAGE, AND FASTENER TYPES.
2. BANDS FOR PIPE-ARCH ARE THE SAME AS FOR EQUIVALENT DIAMETER ROUND PIPE.
3. BANDS ARE NORMALLY FURNISHED AS FOLLOWS:
12" THRU 48" 1-PIECE
54" THRU 96" 2-PIECE
4. BAND FASTENERS ARE ATTACHED WITH SPOT WELDS, RIVETS OR HAND WELDS.
5. ALL ALUMINUM BANDS, BOTH SINGLE AND DOUBLE BB&S, ARE FURNISHED WITH A 14 GAGE ALUMINUM BACK-UP PLATE WELDED TO THE BAND AND THE STRAP.
6. REROLLED ANNULAR END CORRUGATIONS ARE NORMALLY 2-2/3" X 1/2".
7. DIMENSIONS ARE SUBJECT TO MANUFACTURING TOLERANCES.

5-C EXTERNAL BAND DETAIL
N.T.S.



M:\ERL\PROJECTS\ACTIVE\431769-001\1769-001-HEL_COR_PIPE\DRAWINGS\CONTRACT\PRE-431769-001-HEL_COR_PIPE\DRAWINGS\CONTRACT\DWG - 2162011 2106 PM

The design and information shown on this drawing is provided as a service to the project owner, engineer and contractor by CONTECH Construction Products Inc. or one of its affiliated companies ("CONTECH"). Neither this drawing, nor any part thereof, may be used, reproduced or modified in any manner without the prior written consent of CONTECH. Failure to comply is done at the user's own risk and CONTECH expressly disclaims any liability or responsibility for such use.

If discrepancies between the supplied information upon which the drawing is based and actual field conditions are encountered on site work progress, these discrepancies must be reported to CONTECH immediately for re-evaluation of the design. CONTECH accepts no liability for designs based on missing, incomplete or inaccurate information supplied by others.

MARK	DATE	REVISION DESCRIPTION	BY
2	02/16/11	REVISED PER COMMENTS	FAM
1	01/12/11	REVISED PER COMMENTS	FAM

CONTECH
CONSTRUCTION PRODUCTS INC.
www.contech-cpi.com
9025 Centre Pointe Dr., Suite 400, West Chester, OH 45069
800-338-1122 513-645-7000 513-645-7993 FAX

CONTECH
DRAINAGE SYSTEMS
CONTECH
CONTRACT
DRAWING

CORLIX - 431769-001
VT RT 58, 2.2 MILES WEST OF VT RT 14
IRASBURG, VT
SITE DESIGNATION: RELINE

PROJECT No.:	SEQ. No.:	DATE:
431769	001	01/10/11
DESIGNED:	DRAWN:	
---	FAM	
CHECKED:	APPROVED:	
---	---	
SHEET NO.:	4 OF 4	