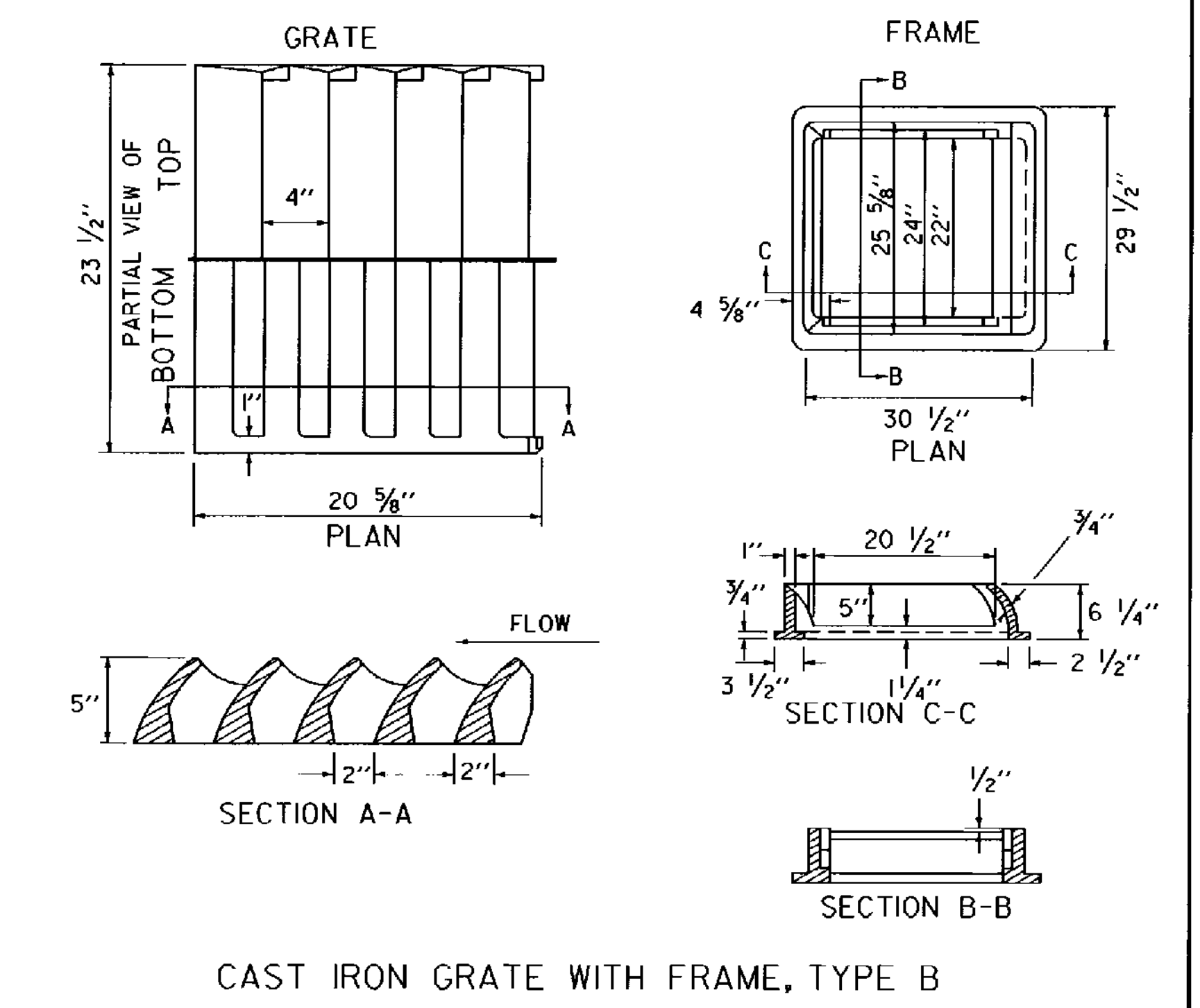
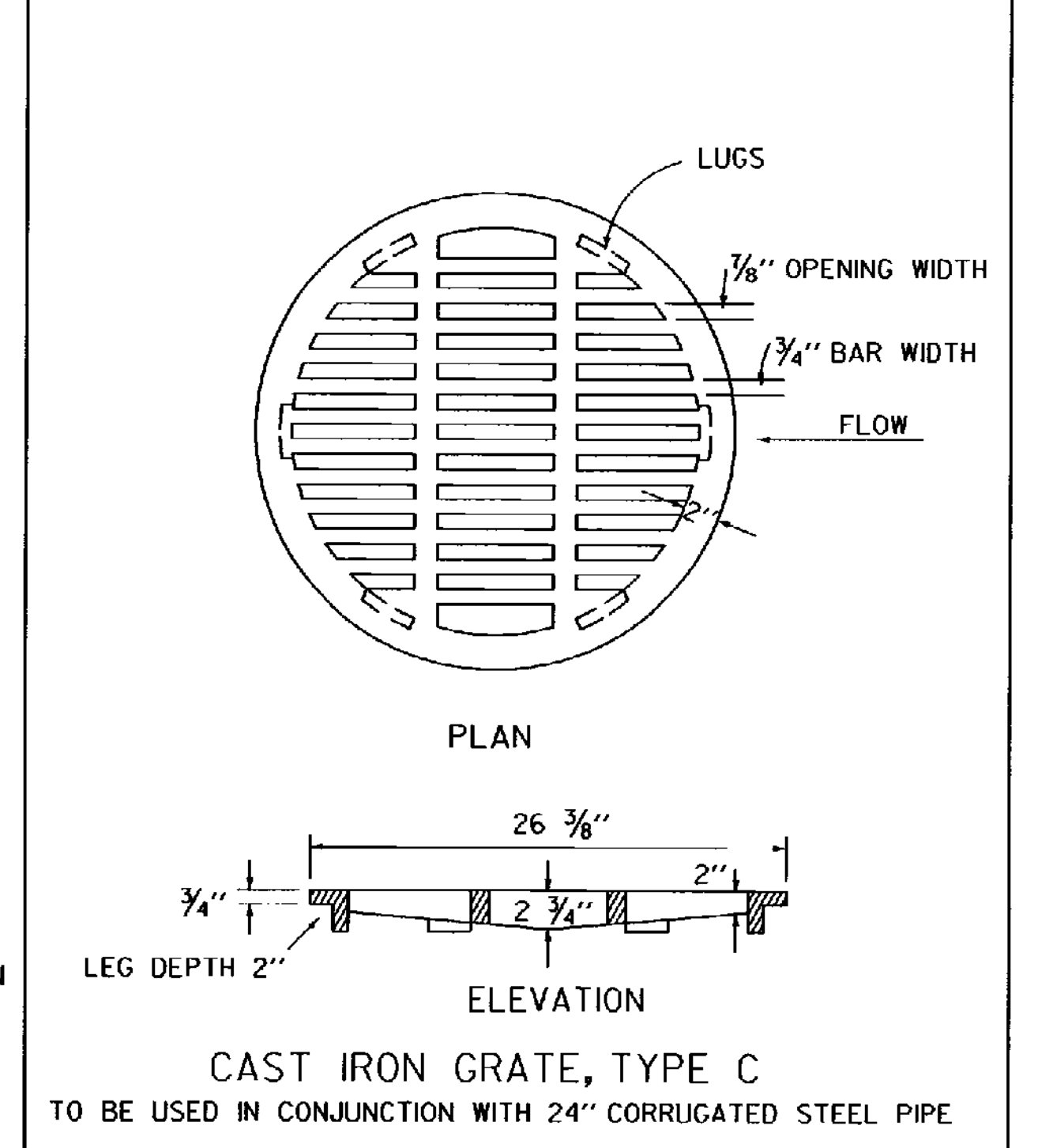
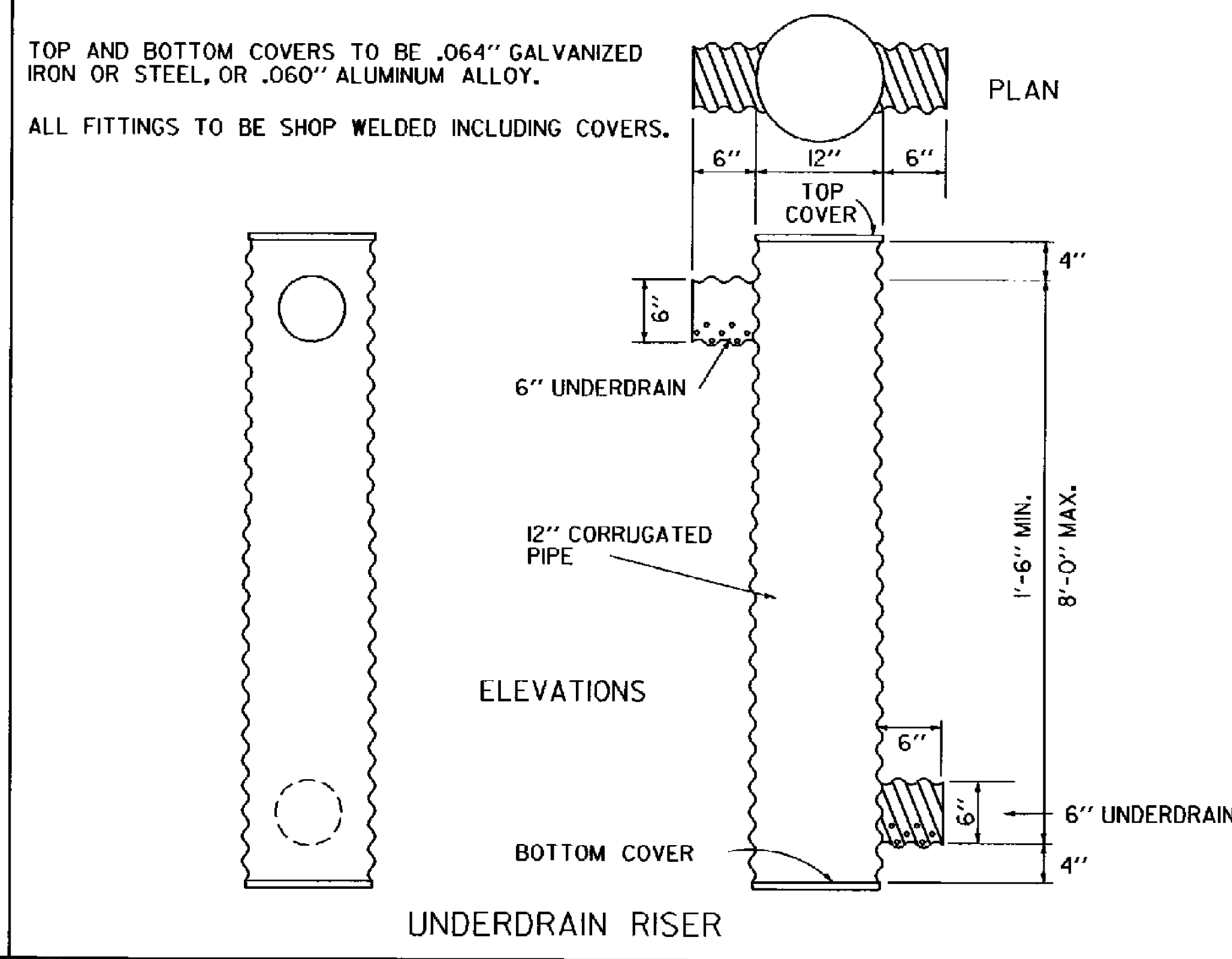
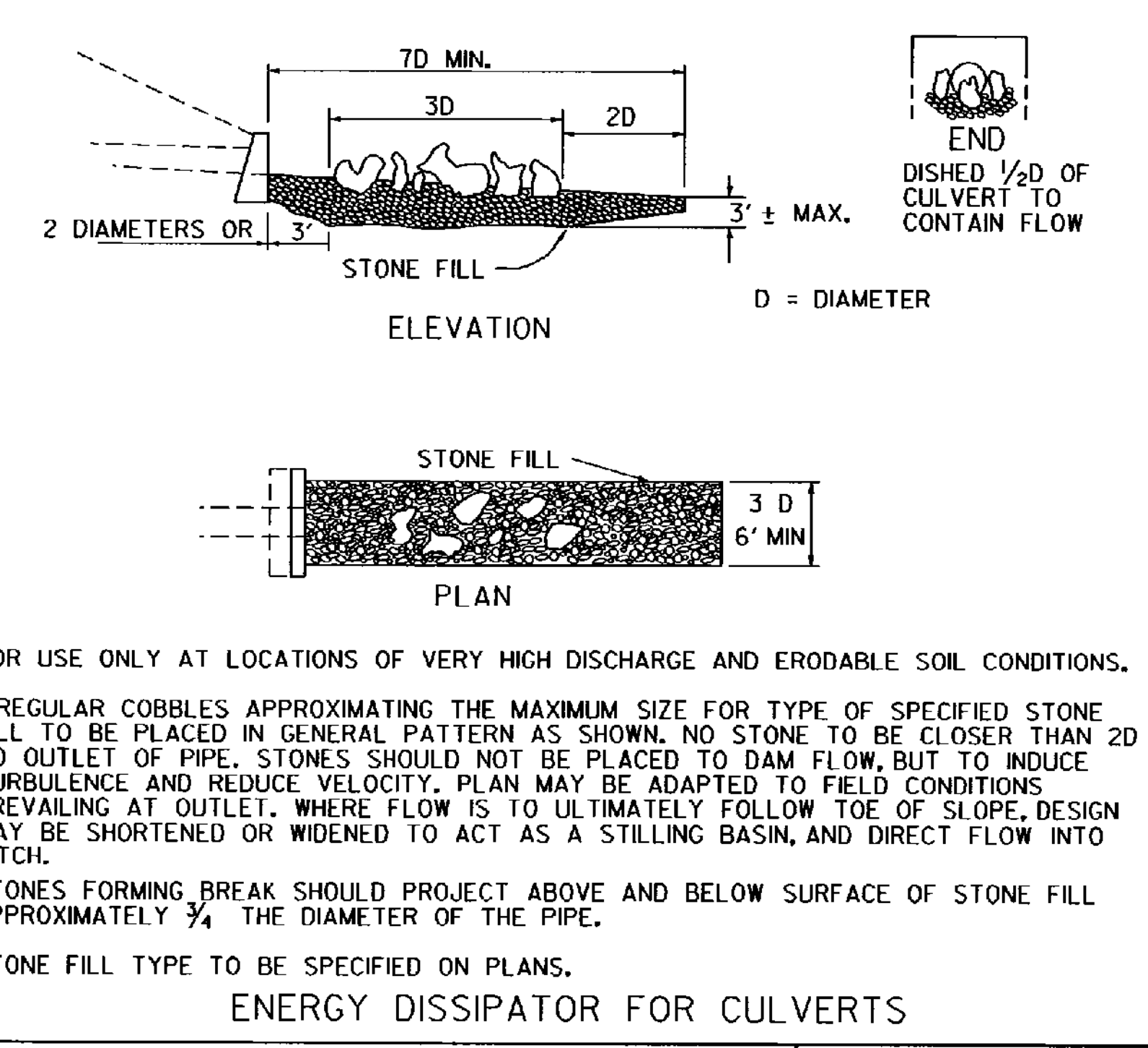


BASIC DIMENSIONS

A	B	C	D	E	F	G	H	DIAM+1"	SLOPE	R ₁	R ₂	RATIO #	L
12"	2"	SEE NOTE	48 3/8"	24"	24"	4"	19 1/2"	13"	2.7 : 1	10 1/8"	9"	1.92	6'-0 3/4"
18"	2 1/2"		46"	27"	36"	9"	29"	19"	2.7 : 1	15 1/2"	12"	1.88	6'-1"
24"	3"		30"	43 1/2"	48"	9 1/2"	33 3/8"	25"	2.8 : 1	16 1/2"	14"	1.58	6'-1 1/2"
30"	3 1/2"		19 3/4"	54"	60"	12"	37"	31"	2.8 : 1	18 1/2"	15"	1.41	6'-1 3/4"
36"	4"		34 3/4"	63"	72"	15"	47 1/8"	37"	2.9 : 1	24 3/8"	20"	1.50	8'-1 3/4"
42"	4 1/2"		35"	63"	78"	21"	53 1/8"	43"	2.9 : 1	27 1/2"	22"	1.46	8'-2"
48"	5"		26"	72"	87"	24"	59 1/2"	49"	2.9 : 1	30"	22"	1.40	8'-2"

REINFORCED CONCRETE PIPE END SECTION

* AREA-1 = AREA OF NOMINAL DIAMETER
* AREA-2 = AREA THRU SECTION B-B



REVISIONS AND CORRECTIONS

DEC. 8, 1971 - ORIGINAL APPROVAL

NOV. 14, 1972 - RCP END SECTION DIMENSION VARIANCE NOTE ADDED

OCT. 30, 1985 - REVISED TO CONFORM WITH 1986 SPECIFICATIONS

JUNE 1, 1994 - REISSUED, WITHOUT CHANGE, UNDER NEW SIGNATURES.

APPROVED

APPROVED FOR THIS PROJECT AND/OR DESIGN IMPLEMENTATION, FHWA FINAL APPROVAL PENDING.

Stanley B. MacCallum, P.E.
DIRECTOR OF ENGINEERING

John M. Murphy, P.E.
DESIGN ENGINEER 1

PRECAST REINFORCED CONCRETE CURB DROP INLET WITH CAST IRON GRATE

CAST IRON GRATE, TYPE B

CAST IRON GRATE, TYPE C

UNDERDRAIN RISER

REINFORCED CONCRETE PIPE END SECTION

ENERGY DISSIPATOR FOR CULVERT

