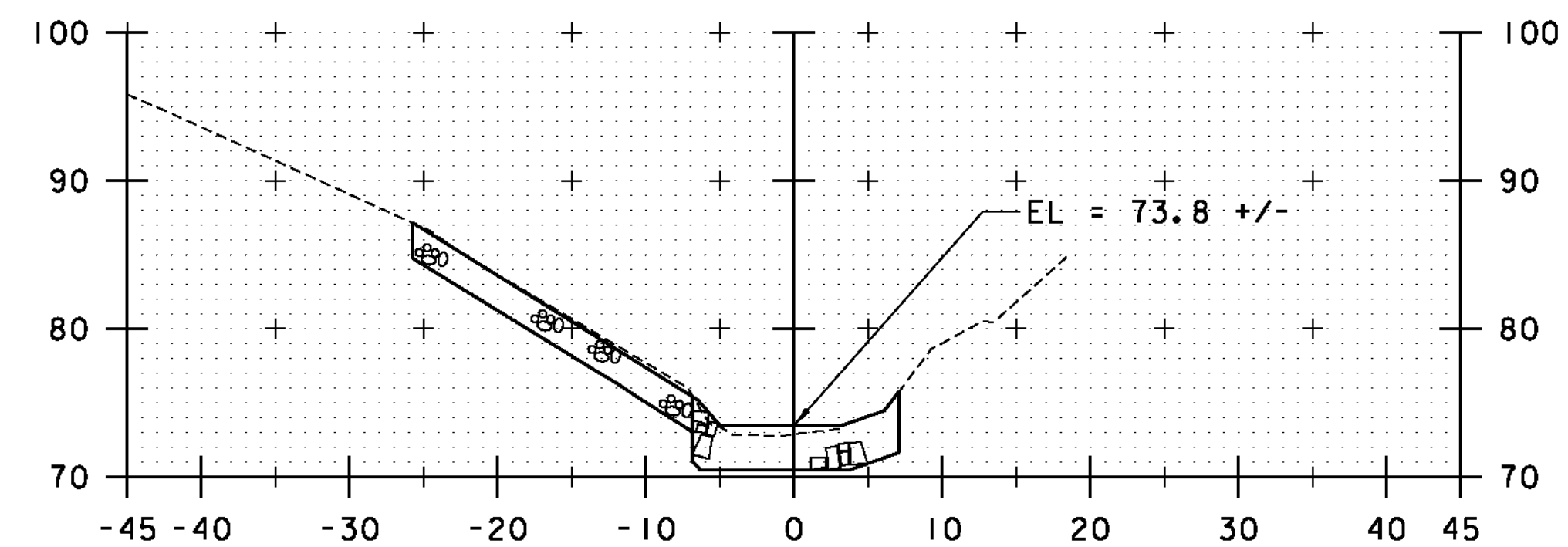
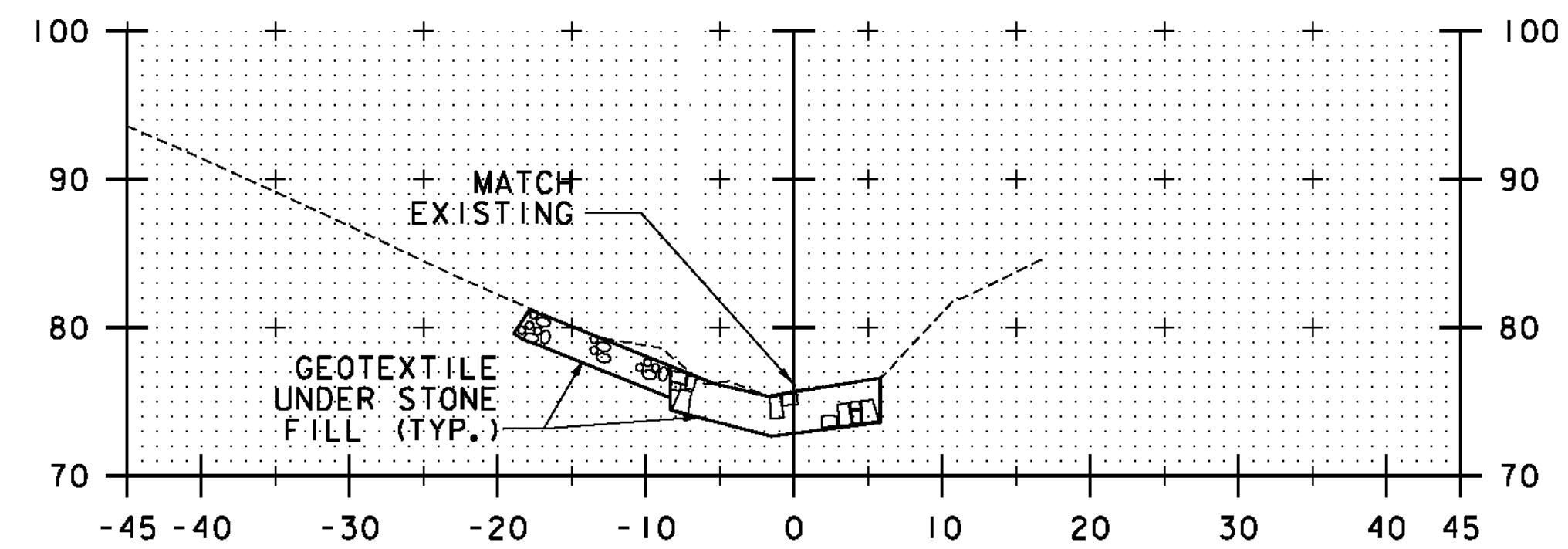


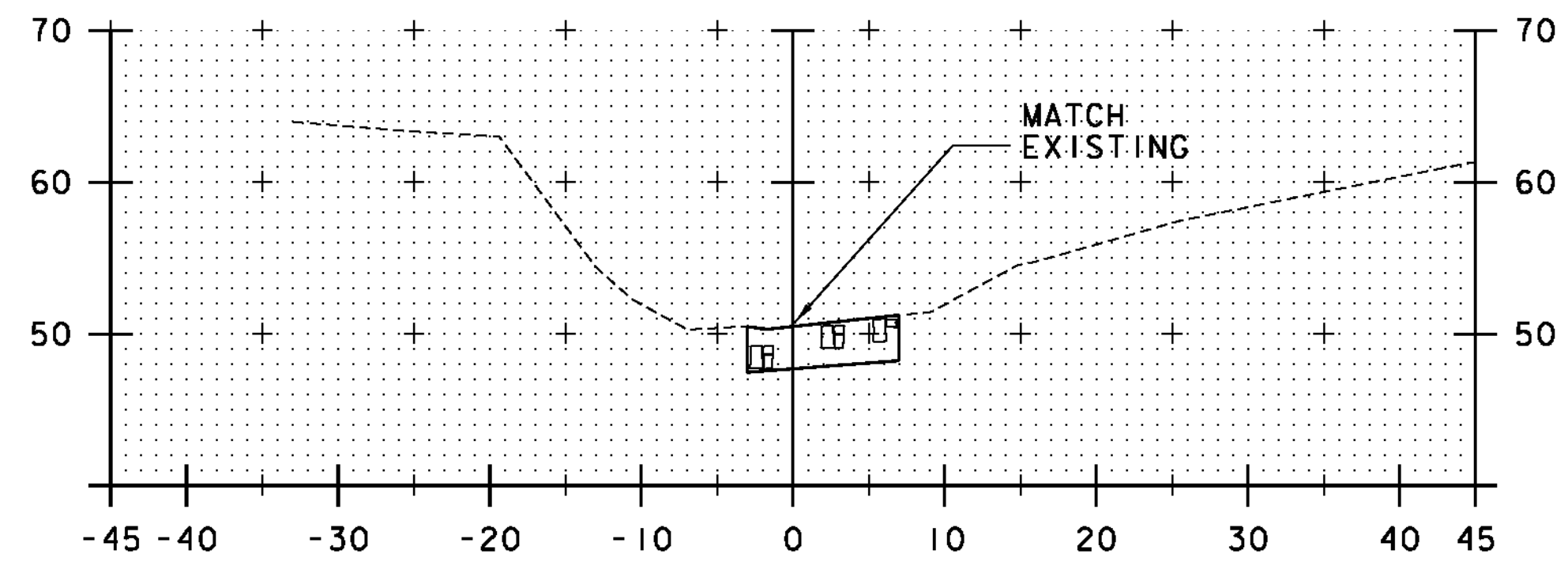
30+31.61



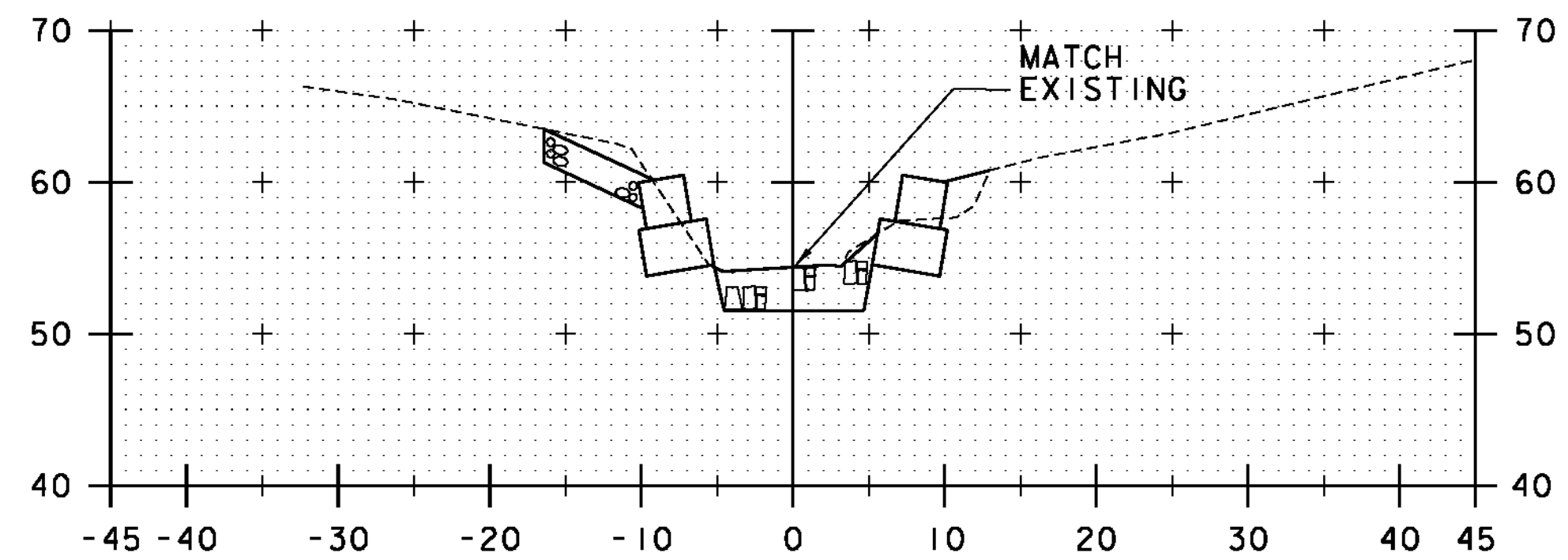
30+25



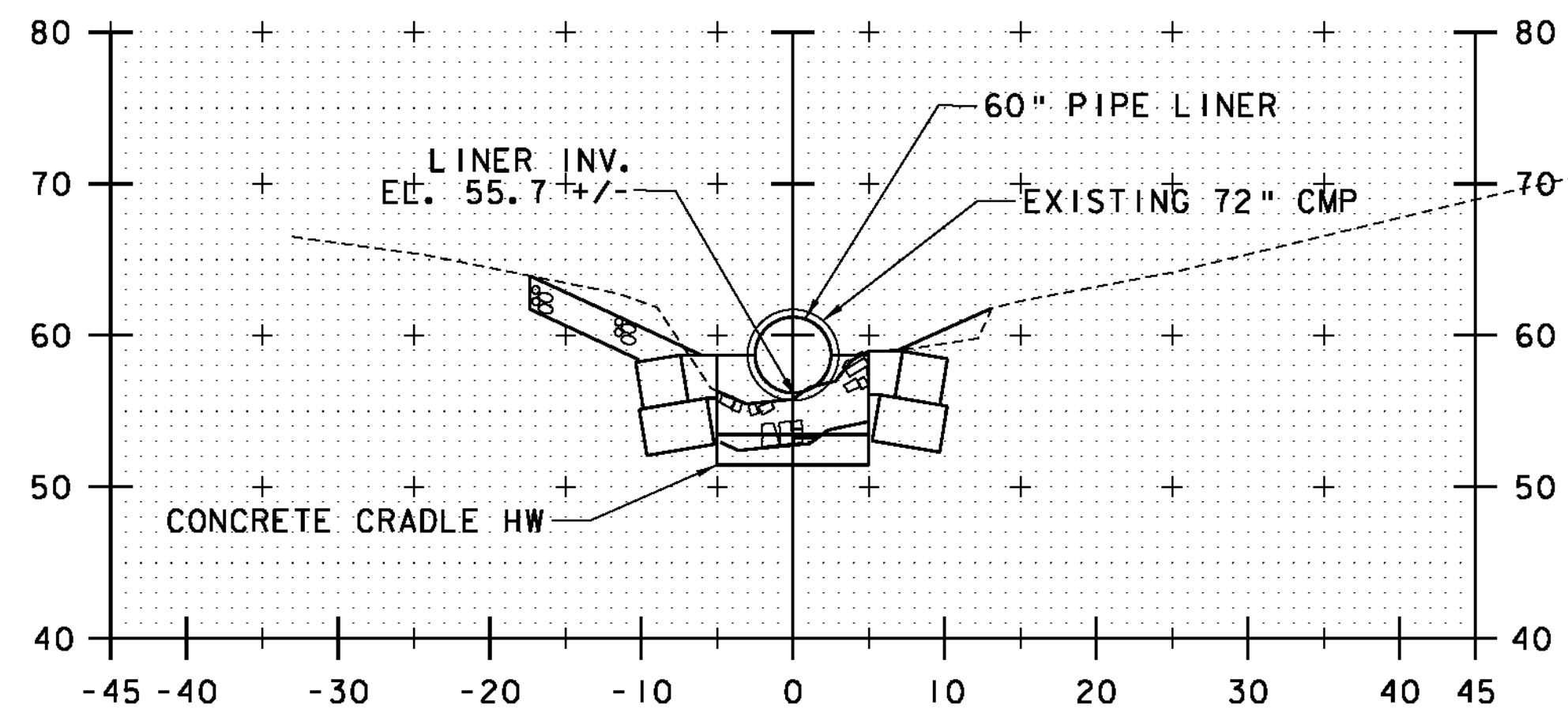
30+11.61



32+43.52

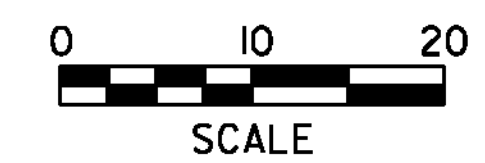


32+25



32+23.52

LEGEND	
	3'-0" STONE FILL, TYPE III
	2'-0" STONE FILL, TYPE II



STA. 30+11.61 TO STA. 32+43.52

PROJECT NAME: IRASBURG	PLOT DATE: 10/28/2010
PROJECT NUMBER: STP CULV(20)	DRAWN BY: J. SOTER
FILE NAME: ...drawing\z08cl94xs.dgn	DESIGNED BY: M. CHENETTE
PROJECT LEADER: G. BOGUE	CHECKED BY: T. KNIGHT
CROSS SECTIONS	
SHEET 15 OF 15	

