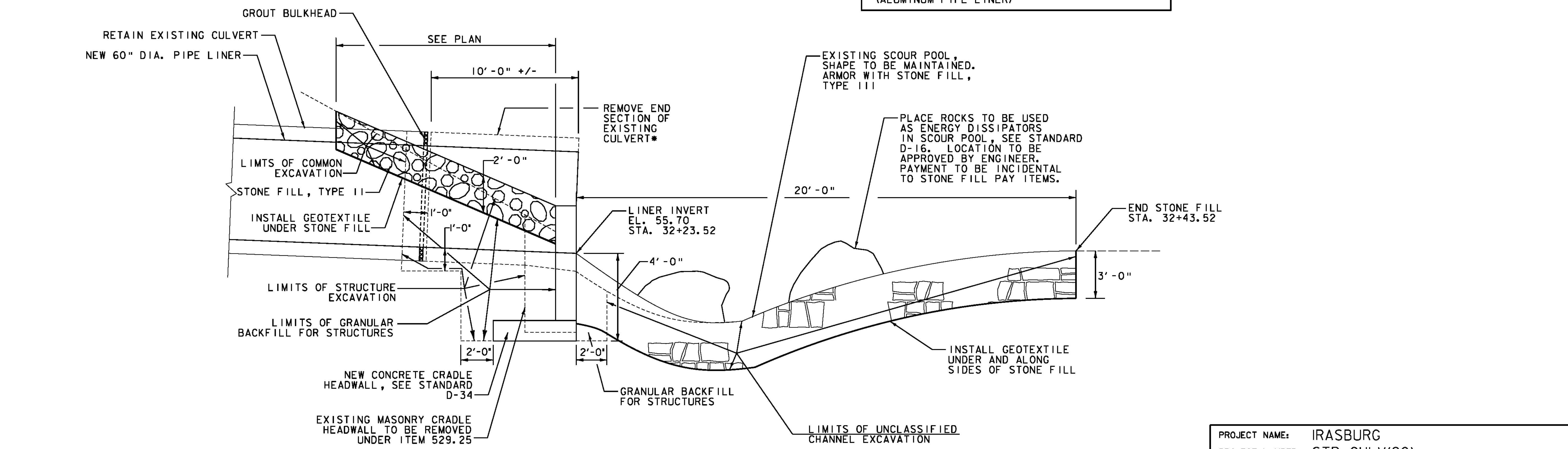


CULVERT INLET DETAIL
NOT TO SCALE

*REMOVAL OF EXISTING CULVERT END SECTIONS SHALL BE INCLUDED IN THE UNIT PRICE BID FOR CONTRACT ITEM 900.640 SPECIAL PROVISION (ALUMINUM PIPE LINER)



CULVERT OUTLET DETAIL
NOT TO SCALE

PROJECT NAME:	IRASBURG	PLOT DATE:	11/16/2010
PROJECT NUMBER:	STP CULV(20)	DRAWN BY:	J. SOTER
FILE NAME:	...z08c194typ sec det1s.dgn	DESIGNED BY:	M. CHENETTE
PROJECT LEADER:	G. BOGUE	CHECKED BY:	T. KNIGHT
TYPICAL SECTIONS & DETAILS SHEET 1		SHEET 3 OF 15	

