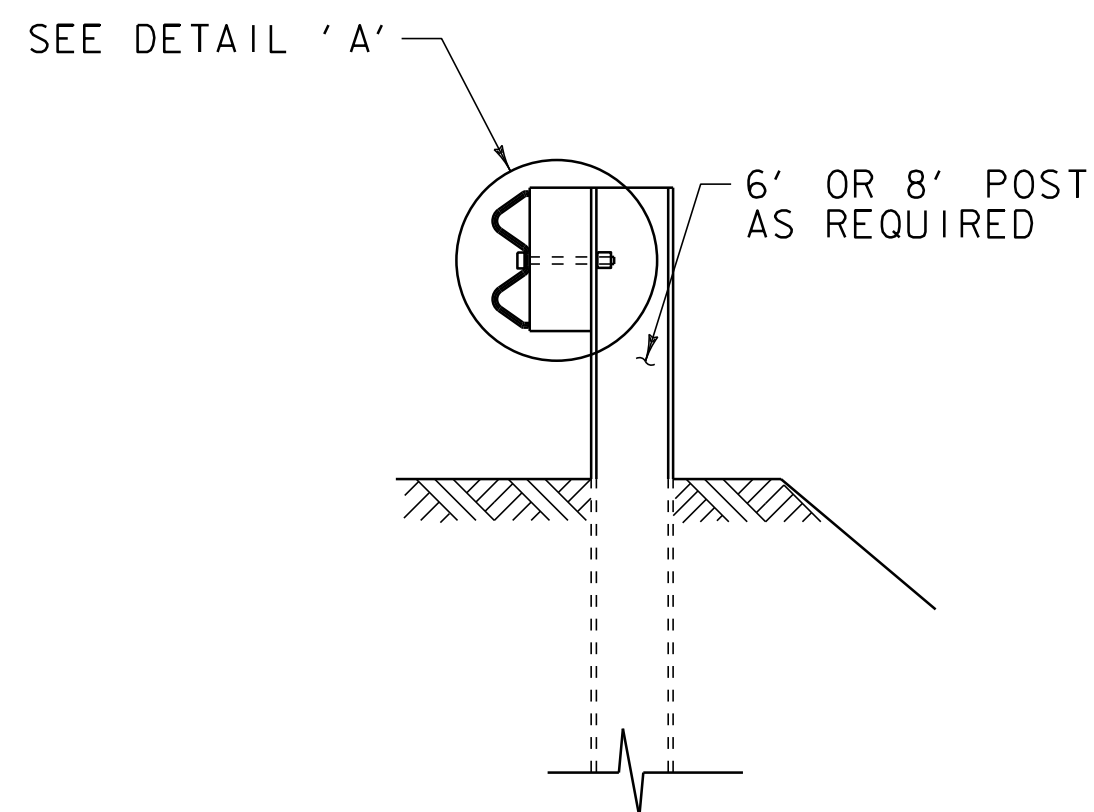
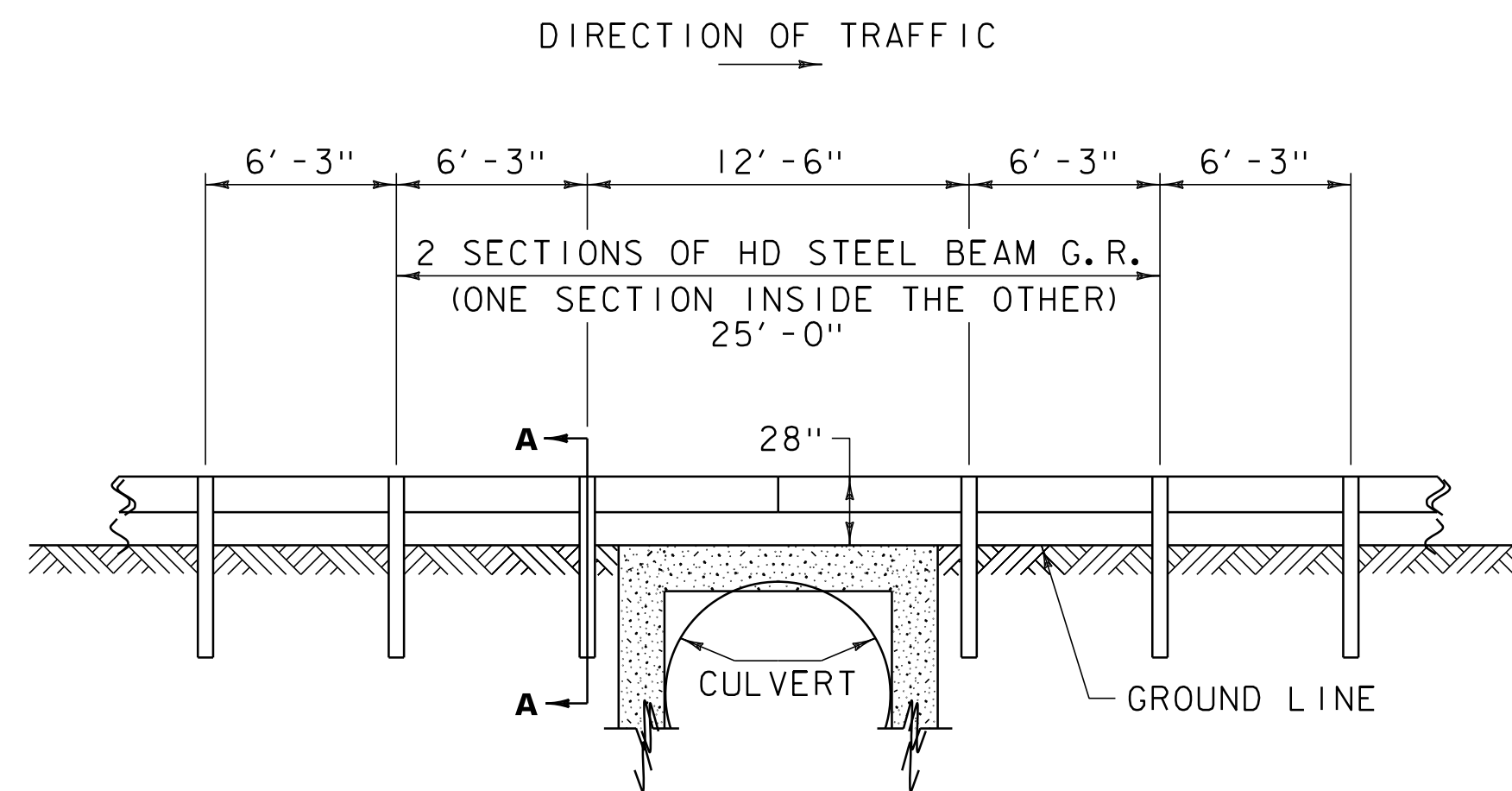


**DETAIL A**

1. SEE STANDARD G-1 FOR STEEL BEAM GUARDRAIL DETAILS.
2. ITEM 900.640 SPECIAL PROVISION (HD STEEL BEAM GUARDRAIL, WEATHERING/NESTED) OR ITEM 900.640 SPECIAL PROVISION (HD STEEL BEAM GUARDRAIL, WEATHERING/NESTED W/8 FEET POSTS)
3. THIS DETAIL TO BE USED AS INDICATED ON THE ITEM DETAIL SUMMARY SHEET OR AS DIRECTED BY THE RESIDENT ENGINEER.

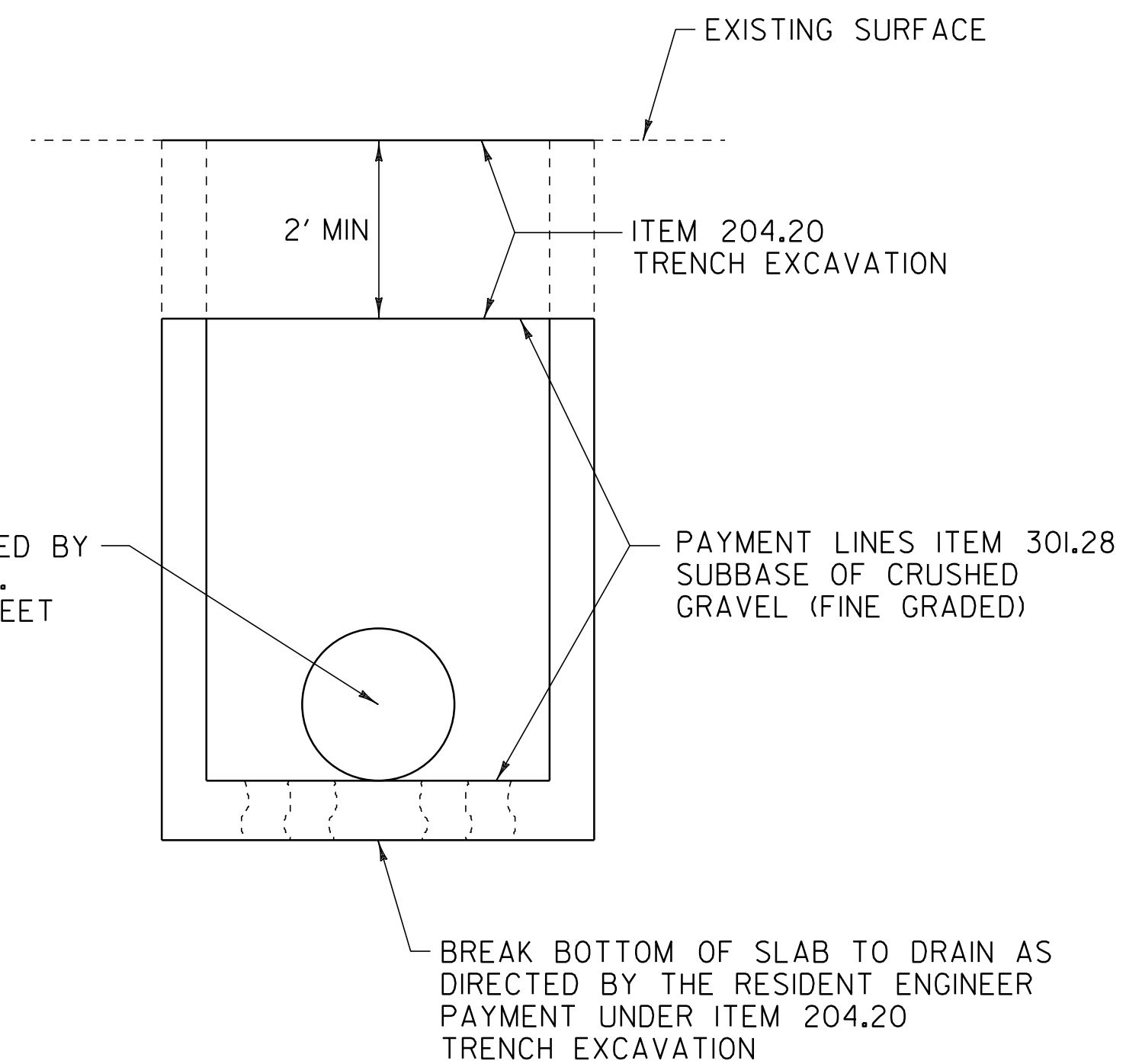


**SECTION A-A**

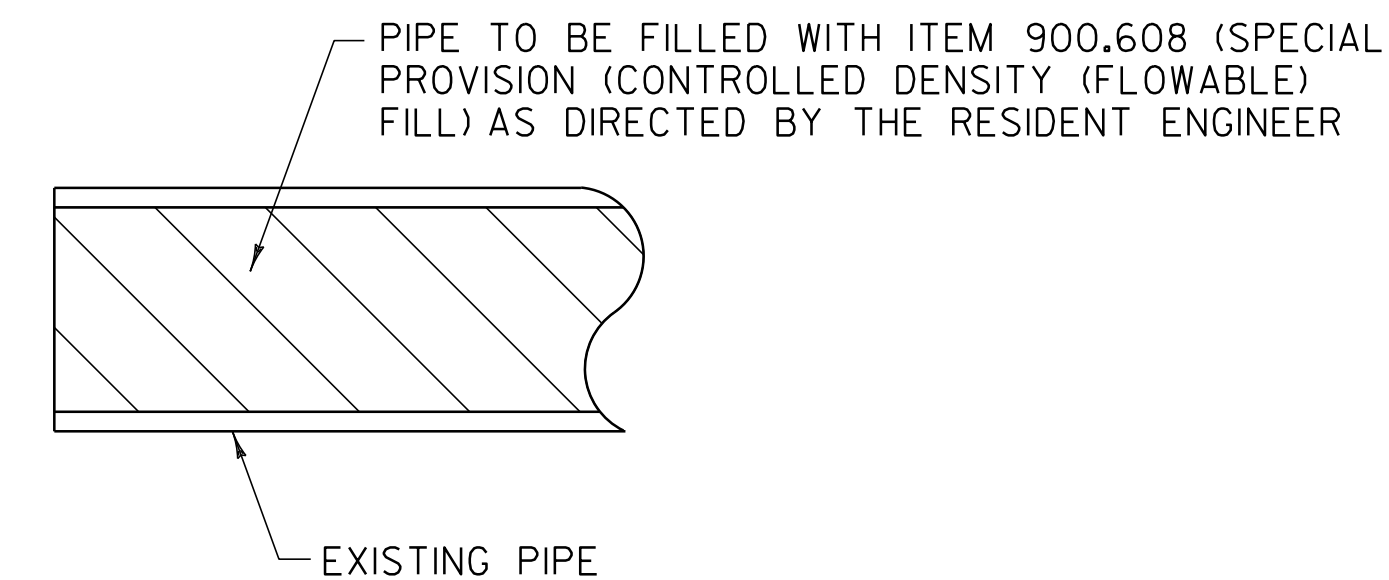


**STEEL BEAM GUARDRAIL AT SMALL CULVERT DETAIL**

VT. ROUTE 125 BR 13A RIPTON STA 16+85.5 - STA 17+10.5 RT  
 VT. ROUTE 125 48" CMP RIPTON STA 166+87.5 - STA 167+12.5 LT  
 VT. ROUTE 125 48" CMP RIPTON STA 166+87.5 - STA 167+12.5 RT  
 VT. ROUTE 125 BR 16 RIPTON STA 192+27.5 - STA 192+52.5 LT  
 VT. ROUTE 125 BR 16 RIPTON STA 192+27.5 - STA 192+52.5 RT



**ABANDONMENT OF EXISTING DRAINAGE STRUCTURE**



**ABANDONING PIPE**

NOT TO SCALE

<b>MISCELLANEOUS DETAILS SHEET</b>	PROJECT NAME: RIPTON - HANCOCK	
	PROJECT NUMBER: STP 2803(1)	
	FILE NAME: p08cl60.dgn	PLOT DATE: 18-SEP-2013 17:11
	PROJECT LEADER: D.E.G.	DRAWN BY: C.A.K.
DESIGNED BY: M.J.M.	CHECKED BY: D.W.E.	
IPARM FILE: p08cl60mdt.i	SHEET 114 OF 114	