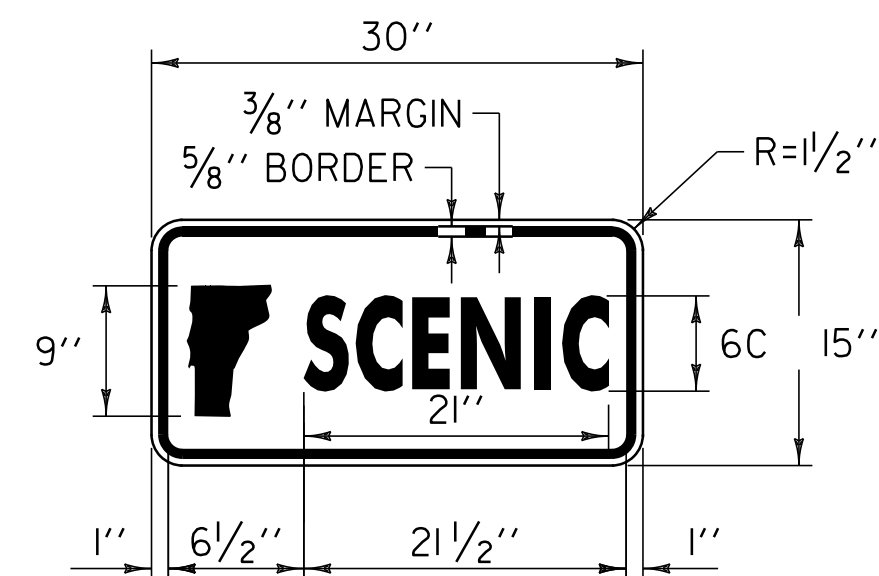


**DETAIL OF CROSSWALK MARKINGS**

**NOTES:**

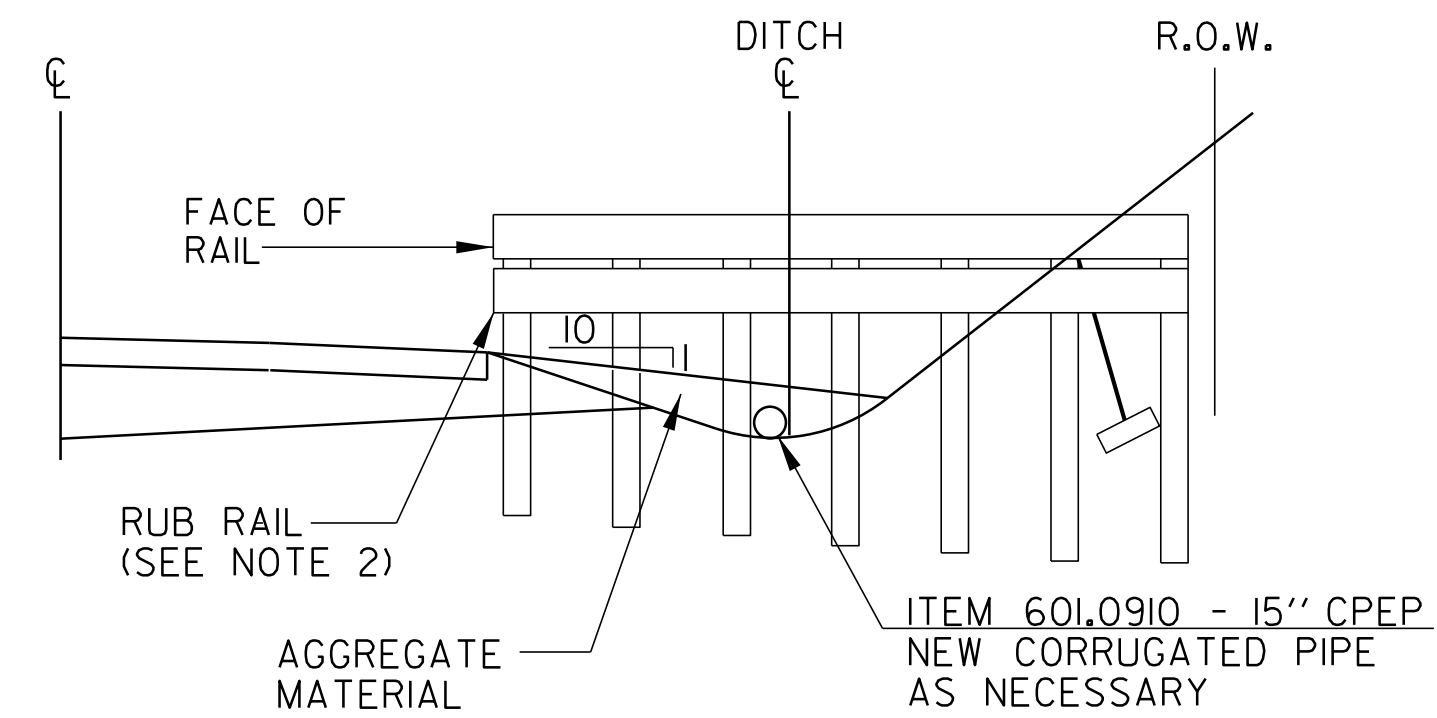
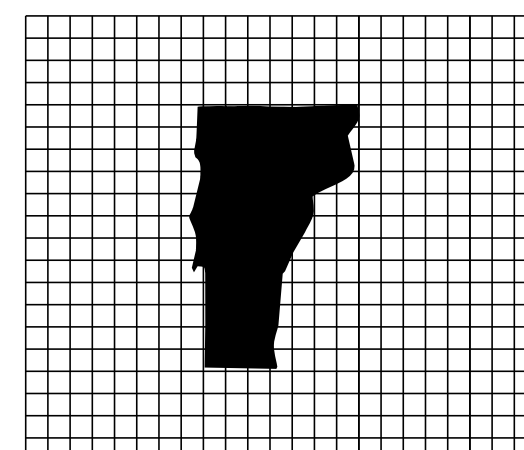
1. THE PER FOOT COST OF INSTALLED CROSSWALK, SHALL BE PAID AS ITEM 646.502 DURABLE CROSSWALK MARKING, THERMOPLASTIC AND ITEM 646.702 TEMPORARY CROSSWALK MARKING, PAINT.
2. ADJUST SPACING (12" - 24") TO AVOID WHEEL PATHS.



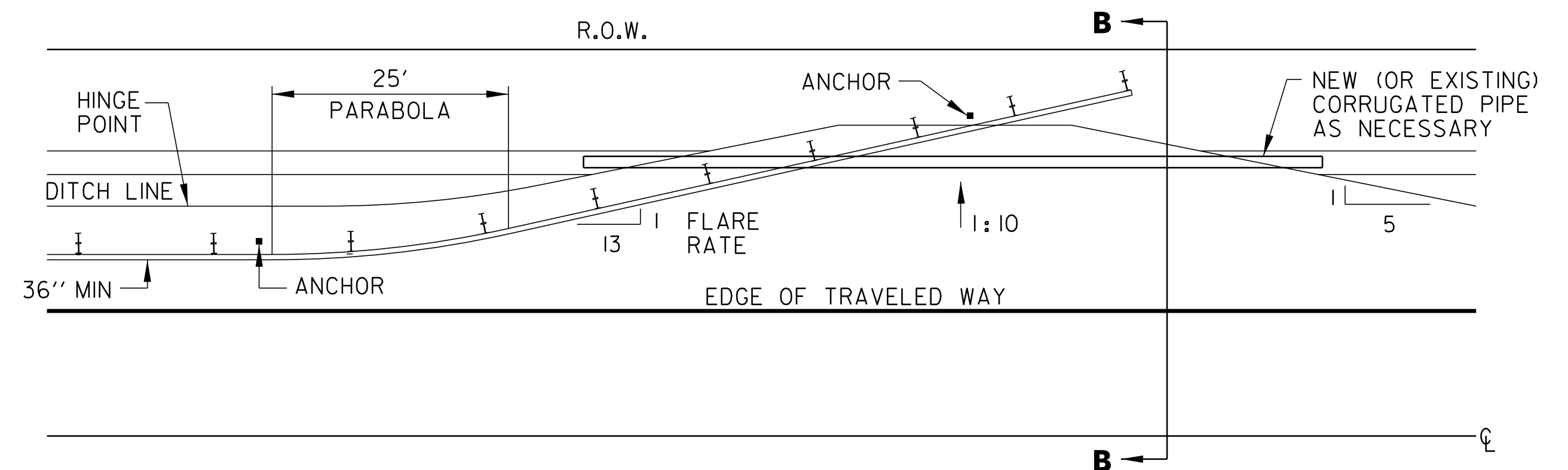
COLOR: GREEN BORDER & LEGEND (REFLECTIVE)  
 WHITE BACKGROUND (REFLECTIVE)

MATERIAL: PER VAOT STANDARD E-136B

LOCATION: VT, ROUTE 125  
 MIDDLEBURY:  
 STA 144+00.0, RT



**SECTION B-B**



**BURIED GUARDRAIL ENDS INTO BACKSLOPES**  
 MIDDLEBURY: STA 145+88.0 LT TO STA 145+50.5 LT

**NOTES:**

1. PRIMARY RAIL SHALL REMAIN AT A CONSTANT HEIGHT (LEVEL) RELATIVE TO THE HEIGHT OF RAIL AT THE EDGE OF SHOULDER.
2. ADDITION OF RUB RAIL IS REQUIRED WHEN OPENING BENEATH PRIMARY RAIL EXCEEDS 18in. RUB RAIL EXTENDS FROM THE EDGE OF SHOULDER TO THE BACK SLOPE.

**NOT TO SCALE**

<b>MISCELLANEOUS DETAILS SHEET</b>	PROJECT NAME: MIDDLEBURY	
	PROJECT NUMBER: STP 2627(1)	
	FILE NAME: p06c222.dgn	PLOT DATE: 18-SEP-2013 17:09
	PROJECT LEADER: D.E.G.	DRAWN BY: C.A.K.
	DESIGNED BY: M.J.L.	CHECKED BY: D.W.E.
	IPARM FILE: p06c222mdt2.i	SHEET 49 OF 114