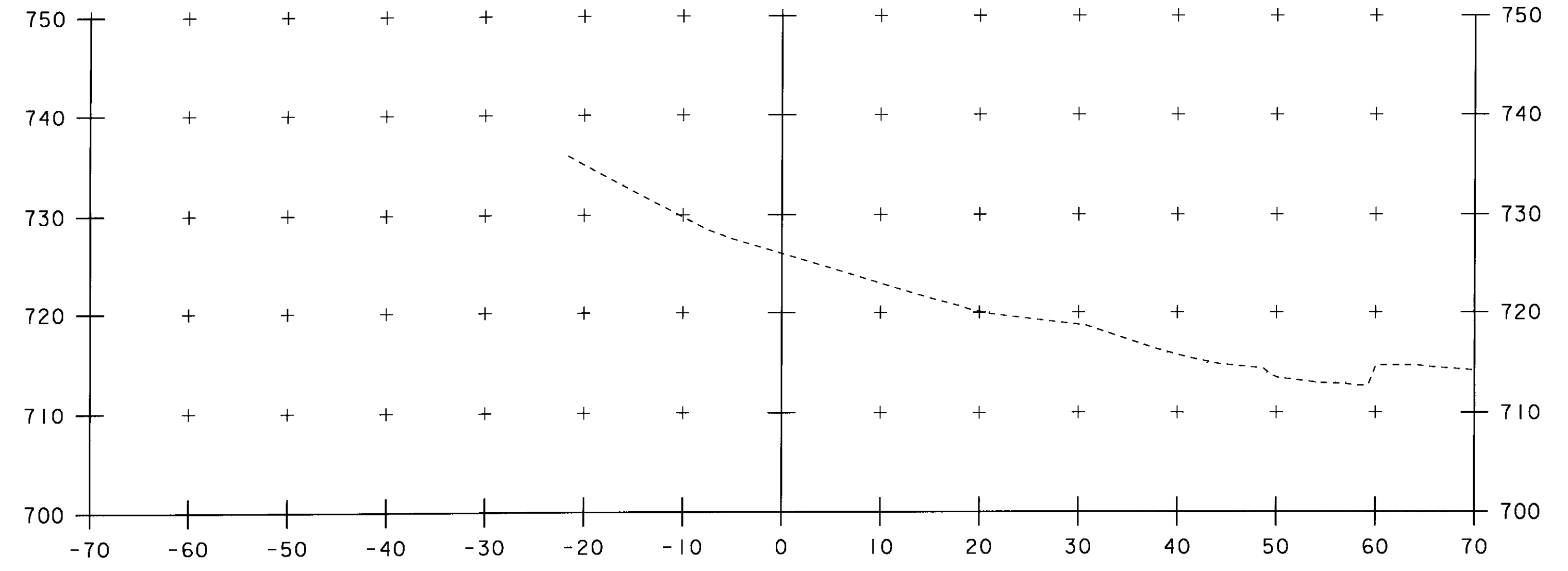


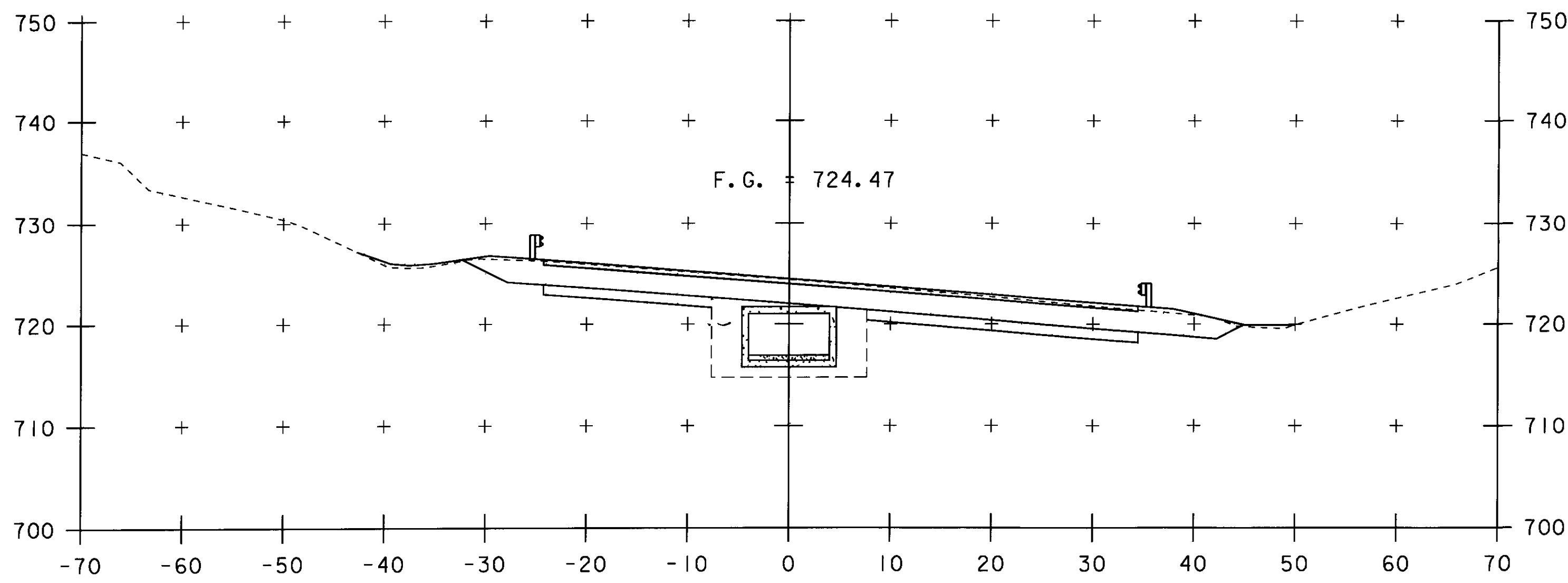
STA 2+55.00 LT
 END UNCLASSIFIED CHANNEL EXCAVATION
 END GEOTEXTILE UNDER STONE FILL
 END STONE FILL TYPE III
 END GRUBBING MATERIAL

2+25

STA 2+35.00 RT
 END UNCLASSIFIED CHANNEL EXCAVATION
 END GEOTEXTILE UNDER STONE FILL
 END STONE FILL TYPE III
 END GRUBBING MATERIAL

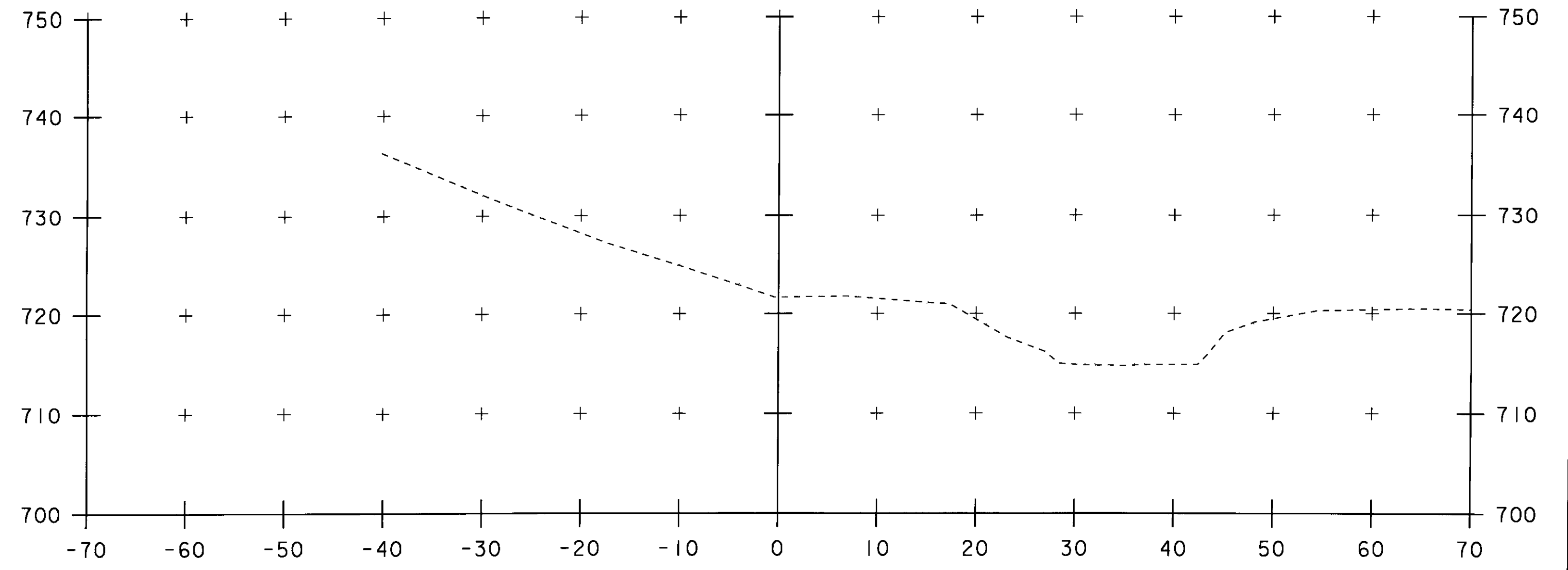


2+75



STA 2+20.00 LT & RT
 BEGIN UNCLASSIFIED CHANNEL EXCAVATION
 BEGIN GEOTEXTILE UNDER STONE FILL
 BEGIN STONE FILL TYPE III
 BEGIN GRUBBING MATERIAL

2+00



2+50

SCALE 1" = 10'-0"
 10 0 10

STA. 2+00 TO STA. 2+75

PROJECT NAME: FAIRLEE	PLOT DATE: 11-MAR-2009
PROJECT NUMBER: STP CULV (13)	DRAWN BY: L.J.STONE
FILE NAME: s08c060xsl.dgn	CHECKED BY: E.L.RUSTAY
PROJECT LEADER: C.P.WILLIAMS	SHEET 25 OF 26
DESIGNED BY: L.J.STONE	
CROSS SECTIONS (2)	