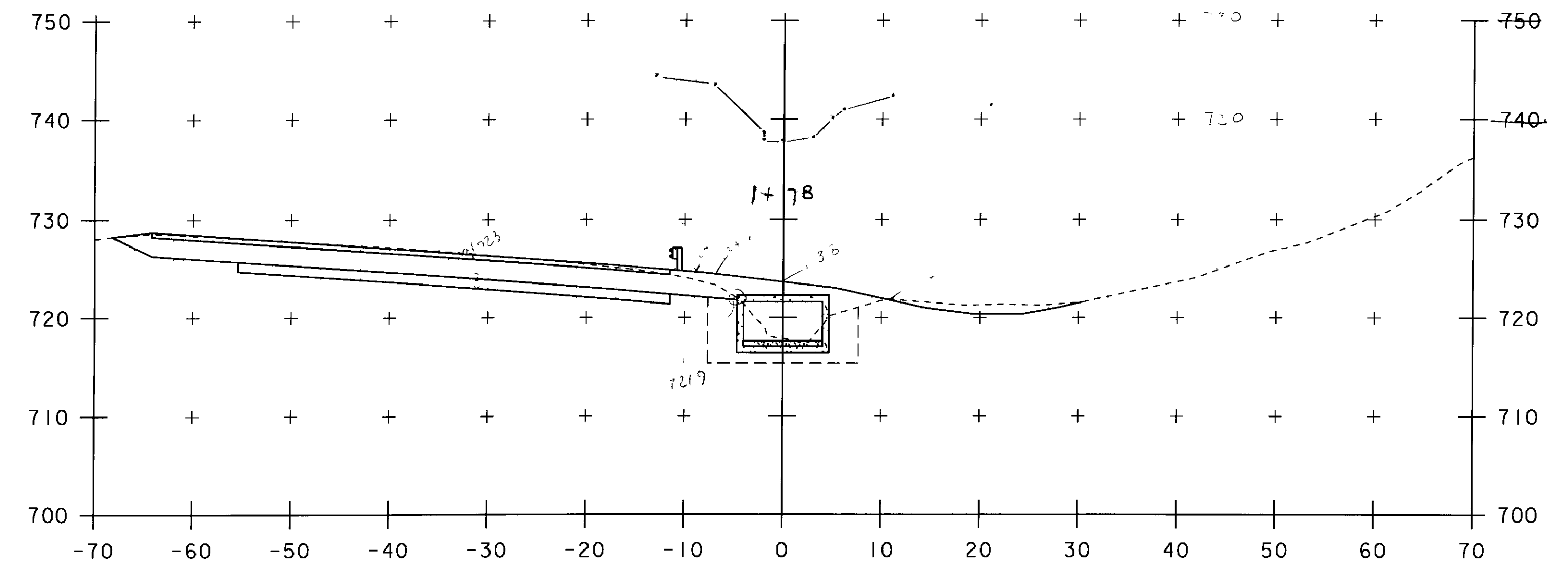
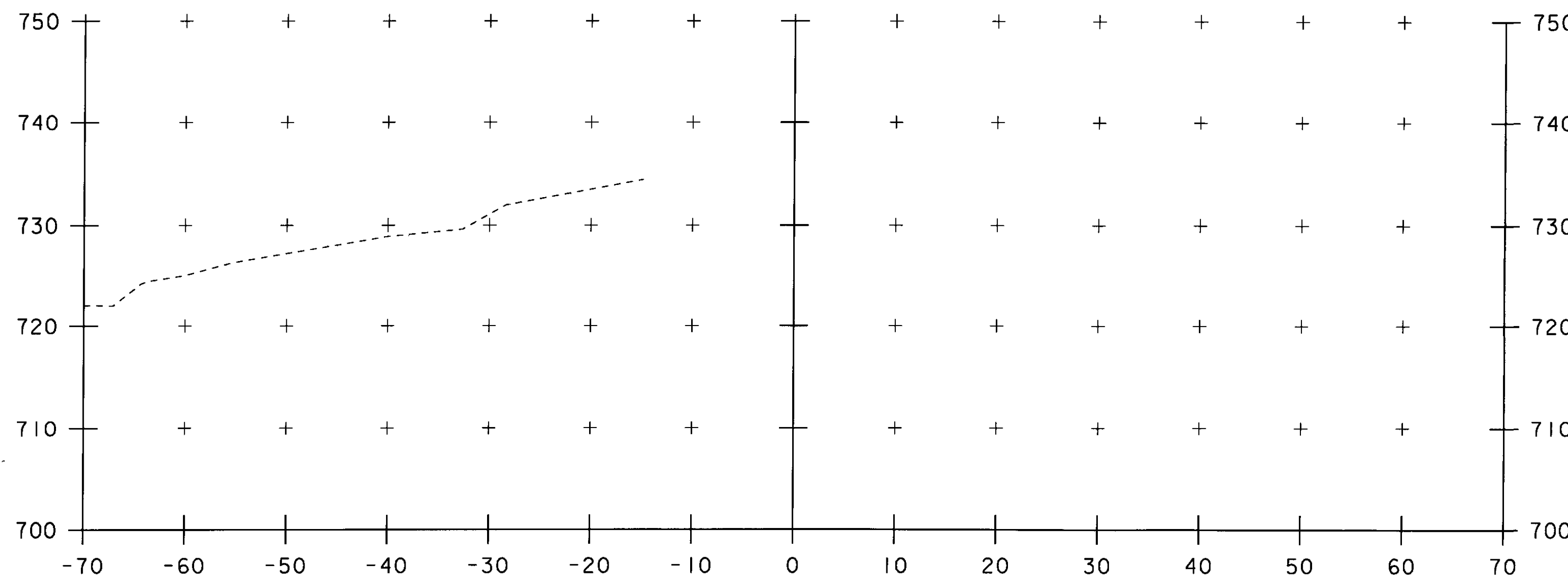


I+25

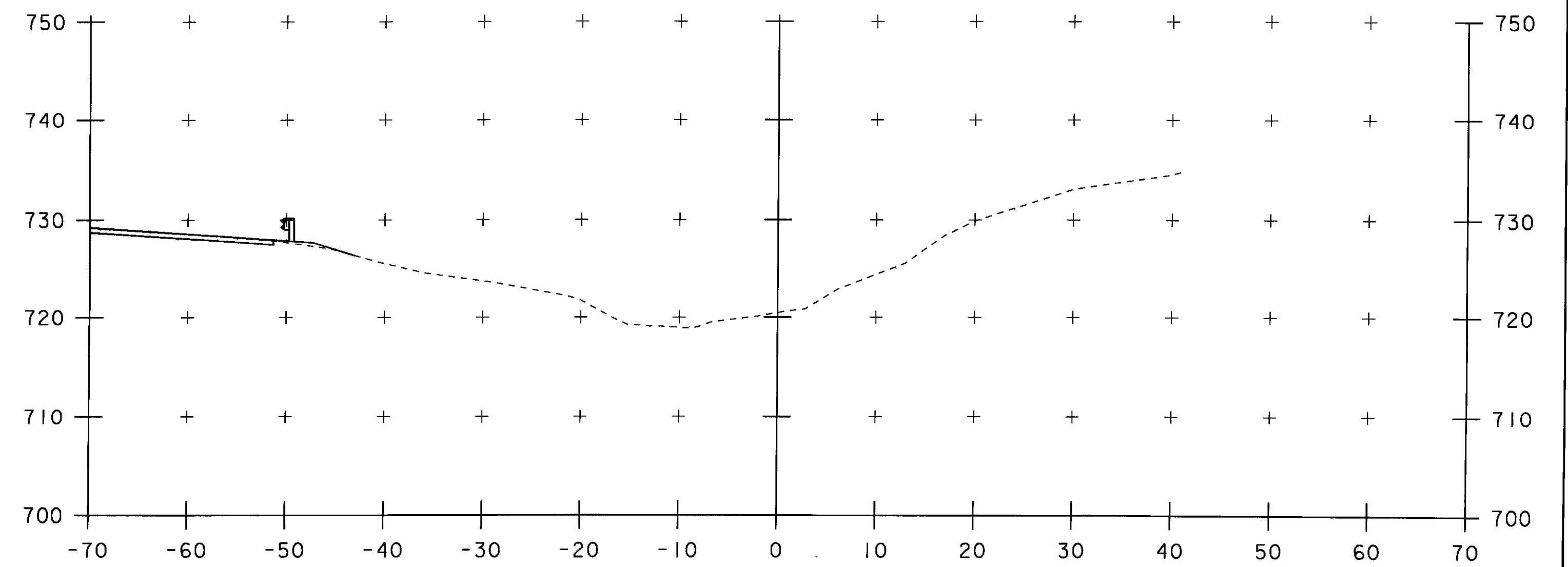


STA I+75.00 LT & RT
 END UNCLASSIFIED CHANNEL EXCAVATION
 END GEOTEXTILE UNDER STONE FILL
 END STONE FILL TYPE III
 END GRUBBING MATERIAL

I+75



I+00



STA I+55.00 RT
 BEGIN UNCLASSIFIED CHANNEL EXCAVATION
 BEGIN GEOTEXTILE UNDER STONE FILL
 BEGIN STONE FILL TYPE III
 BEGIN GRUBBING MATERIAL

I+50

STA I+60.00 LT
 BEGIN UNCLASSIFIED CHANNEL EXCAVATION
 BEGIN GEOTEXTILE UNDER STONE FILL
 BEGIN STONE FILL TYPE III
 BEGIN GRUBBING MATERIAL

SCALE 1" = 10'-0"
 10 0 10

STA. I+00 TO STA. I+75

PROJECT NAME: FAIRLEE	
PROJECT NUMBER: STP CULV (13)	
FILE NAME: s08c060xsl.dgn	PLOT DATE: 11-MAR-2009
PROJECT LEADER: C.P.WILLIAMS	DRAWN BY: L.J.STONE
DESIGNED BY: L.J.STONE	CHECKED BY: E.L.RUSTAY
CROSS SECTIONS (1)	SHEET 24 OF 26