

#203.5

$$A = \left[\frac{(15+0)}{2} \right] 3.0 + \left[\frac{(0+2.5)}{2} \right] 3.0 + (2.5 \times 3.5) + \left[\frac{(2.5+1.5)}{2} \right] 3.0 + \left[\frac{(1.5+0)}{2} \right] 6.0$$

$$A = 15.75 + 7.5 + 8.75 + 3.75 + 4.5 = 39.75$$

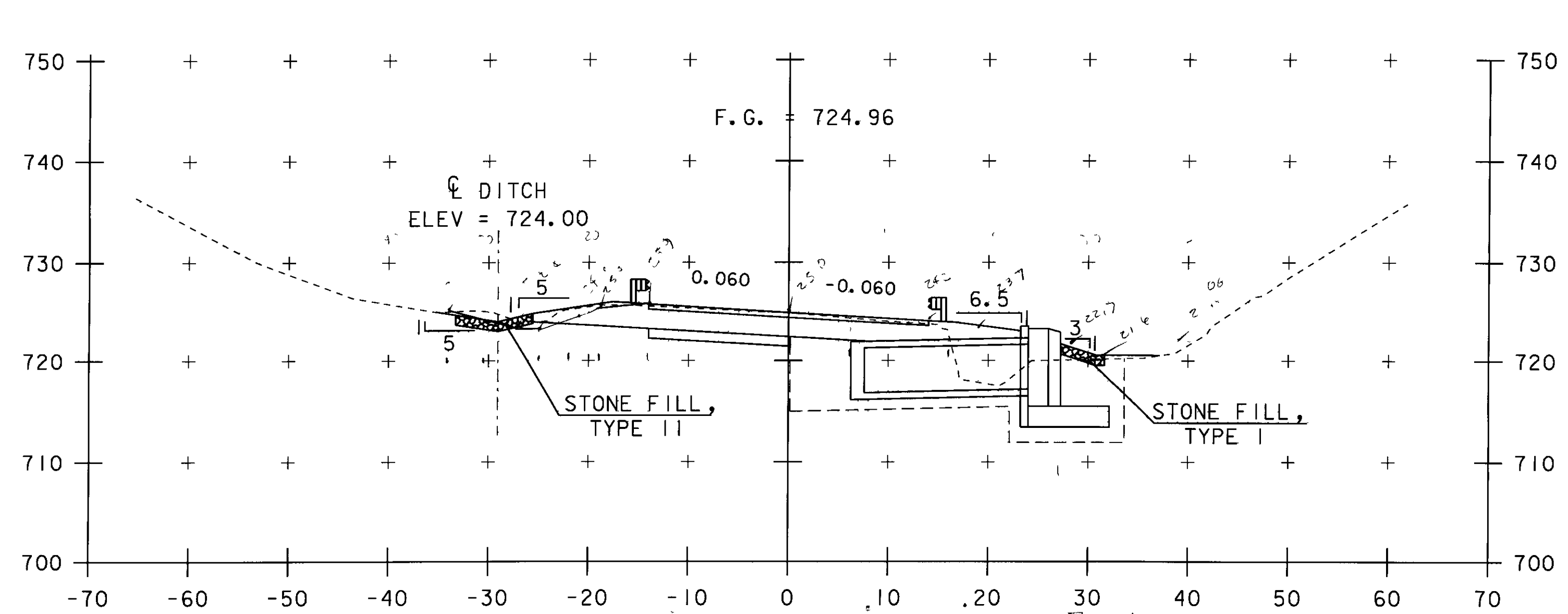
$$A = 2.25 + 3.75 + 9.6 + 6.6 + 5.7 = 27.85$$

$$A = 116.3^2 \times 9.55$$

$$A = 12.9254$$

86+00
BEGIN PROJECT
STA 86+00.00

A 8.71



#203.15

$$A = \left[\frac{(6+2.5)}{2} \right] 3.5 + \left[\frac{(2.5+1)}{2} \right] 5.5 + \left[\frac{(1+1.5)}{2} \right] 2.5 + (2.5 \times 5) + (1.5 \times 5) + (2.5 \times 2) + (10 \times 0)$$

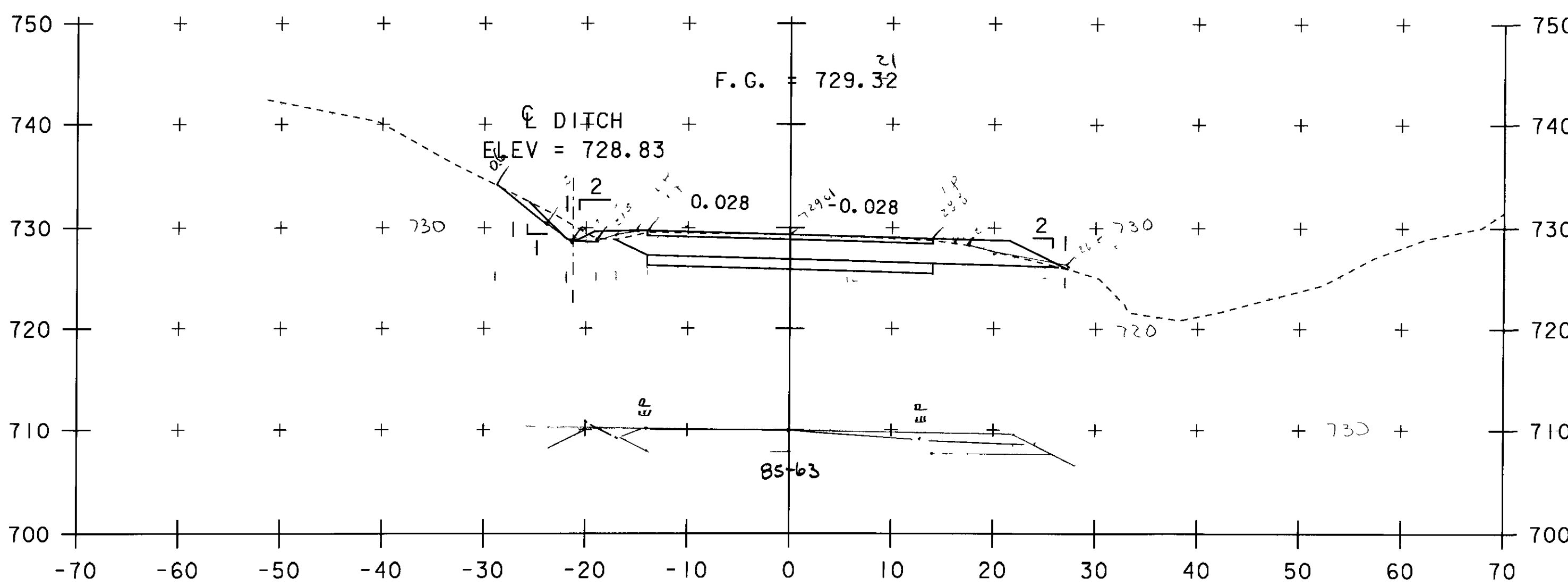
$$A = 12.25 + 9.125 + 7.5 + 12.5 + 7.5 + 5 + 20 = 64.375$$

$$A = 122.75^2 \times 9.55$$

$$A = 13.645$$

86+50

A = 9.94



#203.15 Common Ex

$$A = \left[\frac{(15+0)}{2} \right] 3.0 + \left[\frac{(0+2.5)}{2} \right] 3.0 + (2.5 \times 3.5) + \left[\frac{(2.5+1)}{2} \right] 3.0$$

$$A = 15.75 + 7.5 + 8.75 + 3.75 = 35.75$$

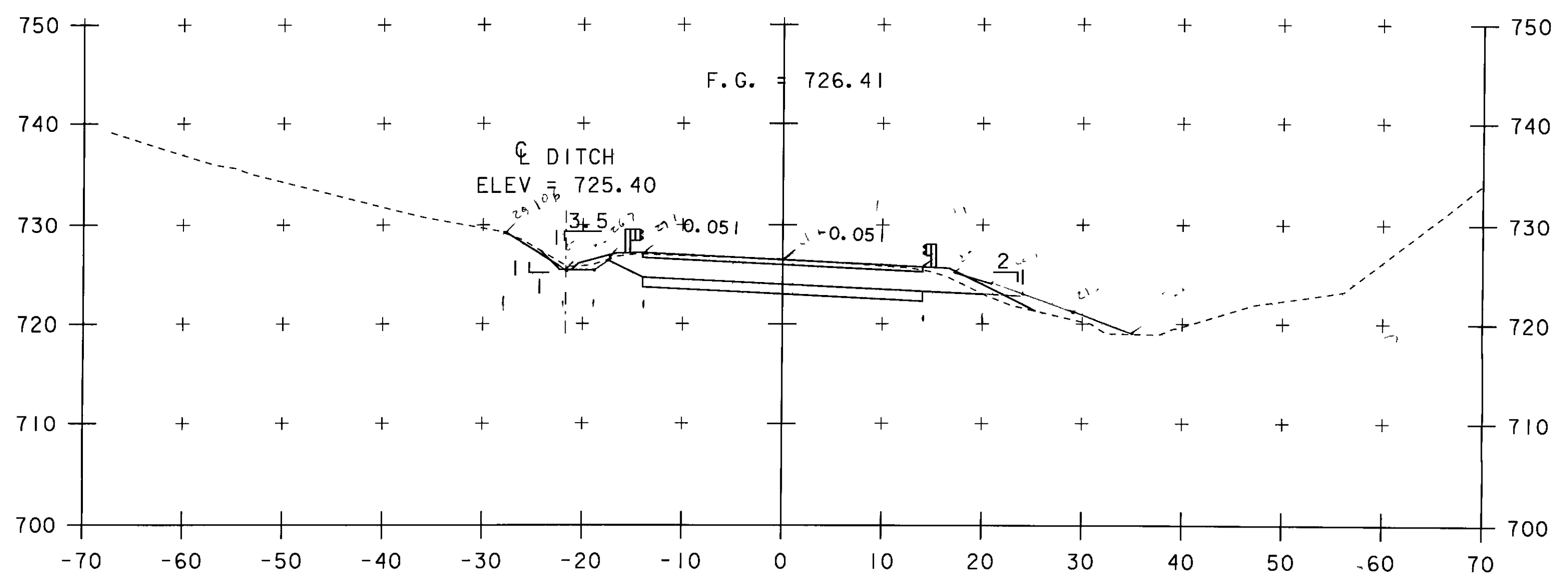
$$A = 6.75 + 2.25 + 3.75 + 9.6 + 11.25 = 33.55$$

$$A = 127.5^2 - 9 = 16125$$

$$A = 14.1154$$

85+75

A 8.53



#203.15

$$A = \left[\frac{(0+5.5)}{2} \right] 1.5 + \left[\frac{(1.5+1)}{2} \right] 3.5 + (1.5 \times 3.5) + (1.5 \times 3.5) + (1.5 \times 3.5)$$

$$A = 4.125 + 6.125 + 5.25 + 5.25 + 5.25 = 26.0$$

$$A = 1.5 + 1.5 + 4.375 + 9.6 + 7.5 = 24.375$$

$$A = 112.5^2 - 9 = 12562.5$$

$$A = 12.54$$

86+25

A 12.54

SCALE 1" = 10'-0"

STA. 85+75 TO STA. 86+50

| | |
|-------------------------------|------------------------|
| PROJECT NAME: FAIRLEE | DATE: 2-8-10 |
| PROJECT NUMBER: STP CULV (13) | |
| FILE NAME: s08c060xsl.dgn | PLOT DATE: 11-MAR-2009 |
| PROJECT LEADER: C.P.WILLIAMS | DRAWN BY: L.J.STONE |
| DESIGNED BY: L.J.STONE | CHECKED BY: E.L.RUSTAY |
| MAINLINE CROSS SECTIONS (2) | SHEET 21 OF 26 |