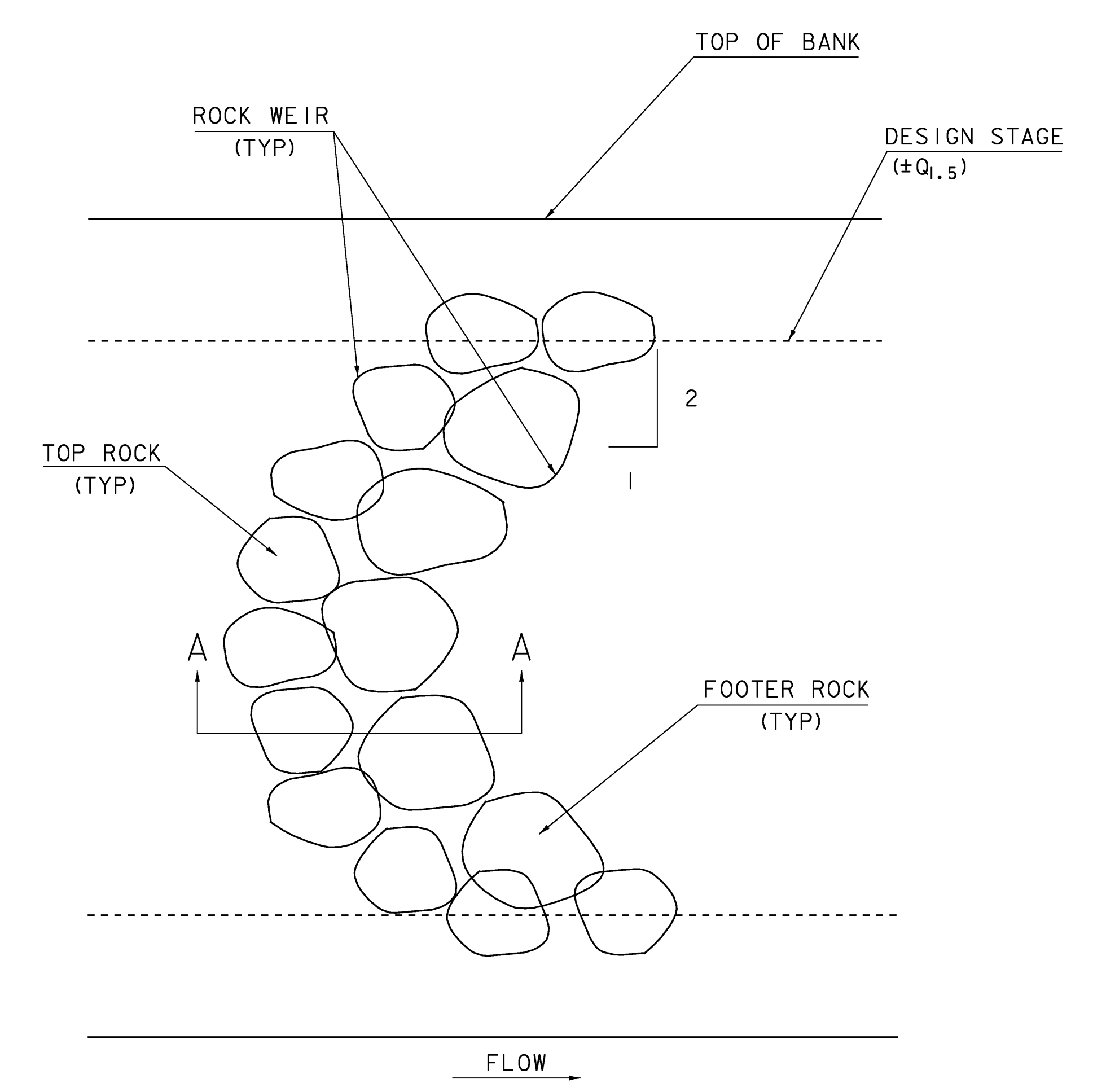


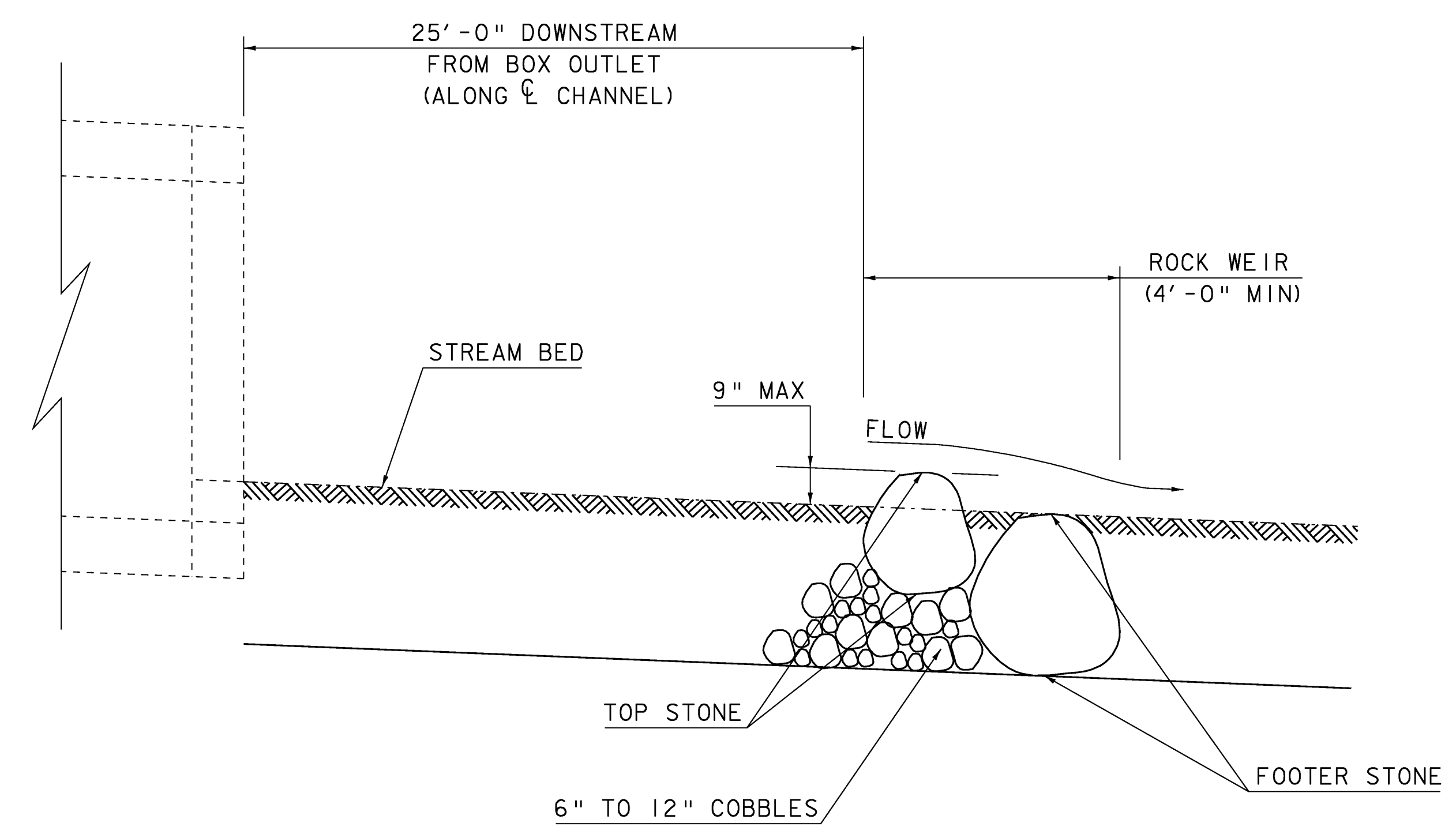
SECTION AT ROCK WEIR IN CHANNEL
(NTS)

ROCK WEIR NOTES:

1. THE ROCK WEIR SHALL BE USED FOR OUTLET SCOUR CONTROL.
2. THE STONES FOR THE ROCK WEIR, ANY ASSOCIATED WORK, AND MATERIALS NEEDED TO CONSTRUCT THE ROCK WEIR SHALL BE PAID FOR UNDER ITEM 900.620 "SPECIAL PROVISION (ROCK WEIR)".
3. ASSURE COMPATIBILITY OF STRUCTURE WITH PLAN FORM LOCATION, ASSOCIATED BED FEATURES, AND CHANNEL LONGITUDINAL SLOPE.
4. THERE SHALL BE ONE ROCK WEIR LOCATED 25'-0" DOWNSTREAM ALONG \bar{C} , FROM THE OUTLET OF THE BOX CULVERT.



ROCK WEIR PLAN VIEW
(NTS)



SECTION A-A
(NTS)

PROJECT NAME: FAIRLEE	PLOT DATE: 11-MAR-2009
PROJECT NUMBER: STP CULV (13)	DRAWN BY: L.J.STONE
FILE NAME: s08c060p1pepro.dgn	CHECKED BY: E.L.RUSTAY
PROJECT LEADER: C.P.WILLIAMS	SHEET 16 OF 26
DESIGNED BY: L.J.STONE	
ROCK WEIR DETAILS	