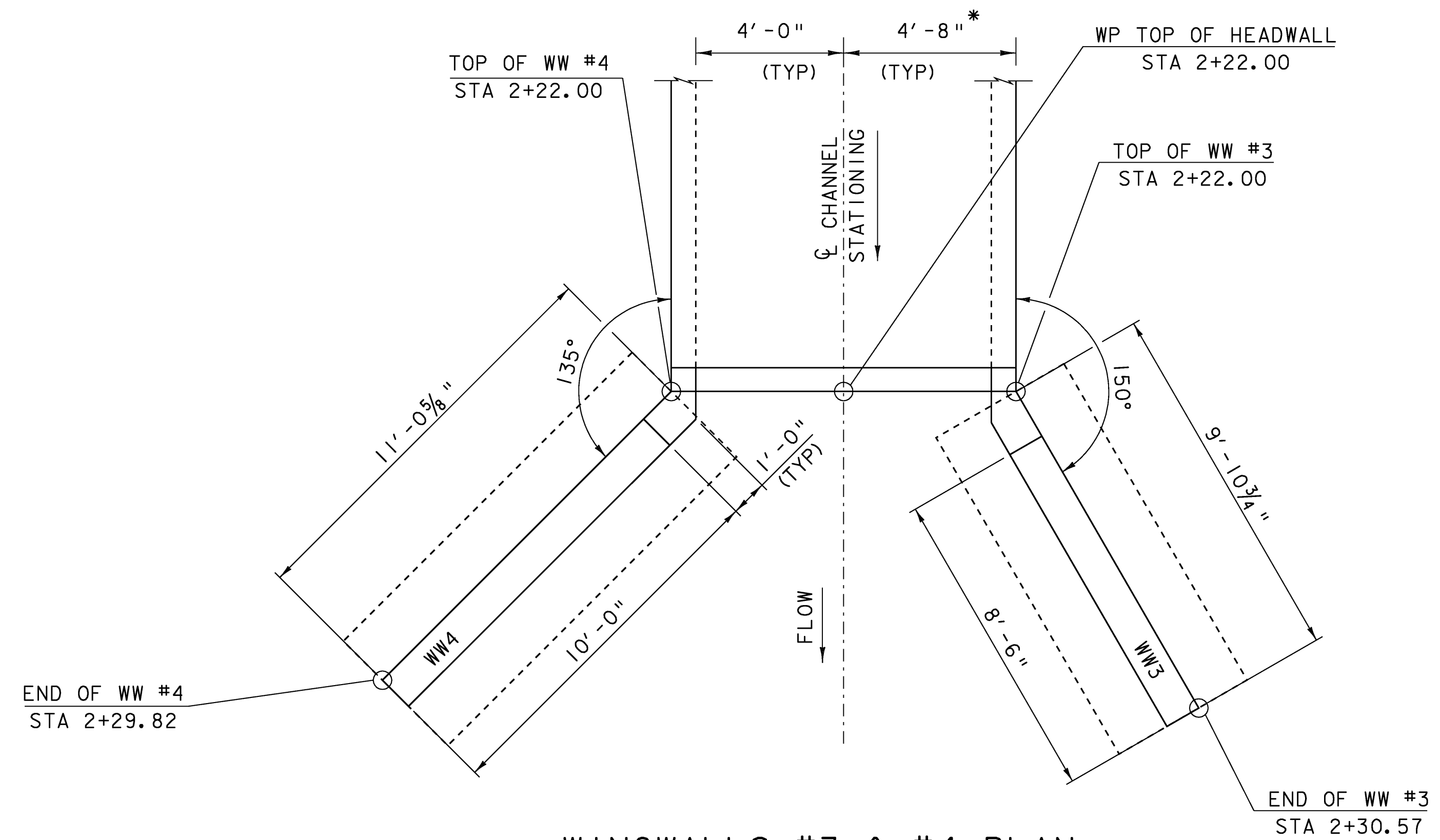
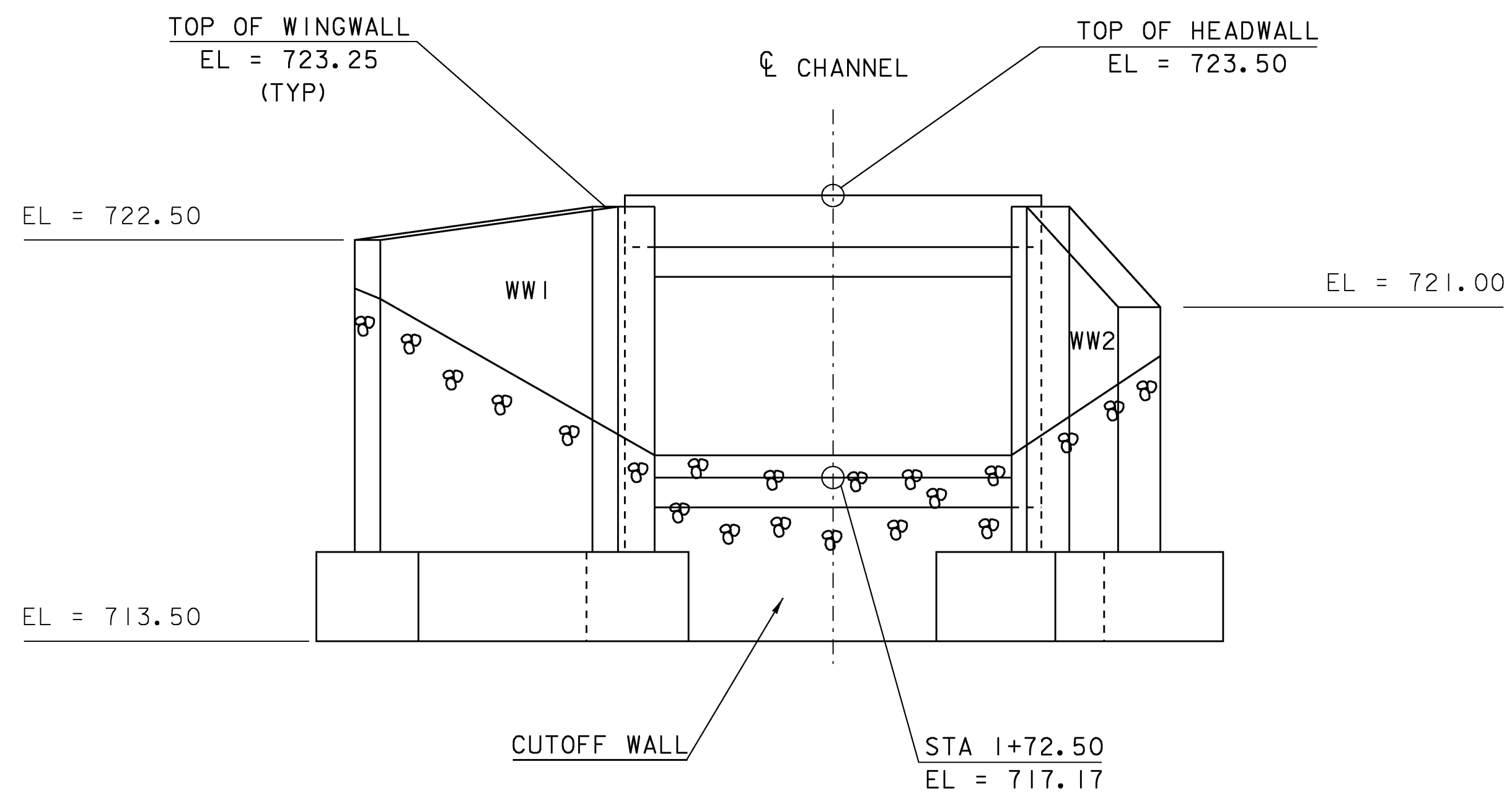


WINGWALLS #1 & #2 PLAN
SCALE 3/8" = 1'-0"

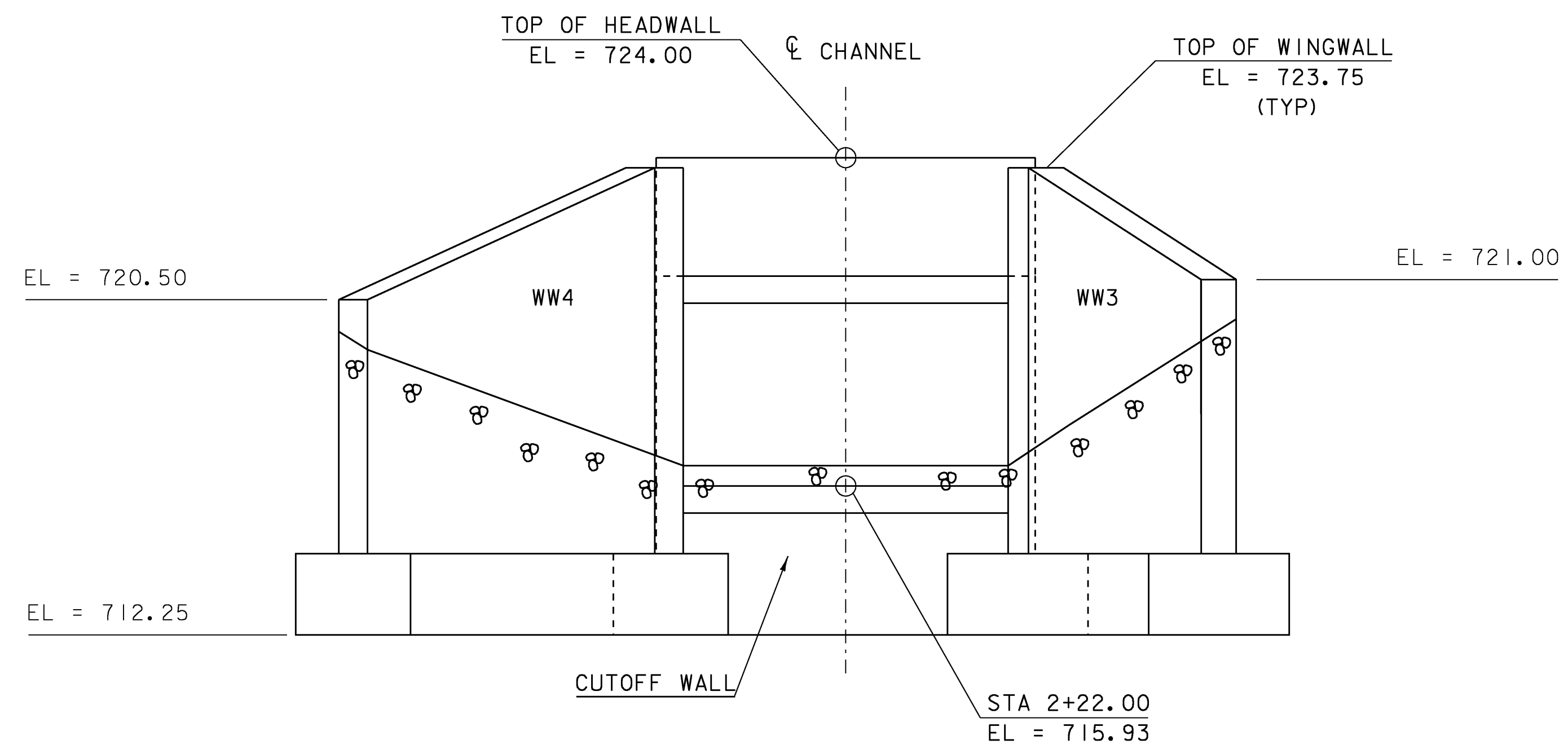


WINGWALLS #3 & #4 PLAN
SCALE 3/8" = 1'-0"

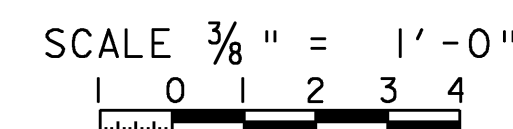
*NOTE:
DIMENSIONS SHOWN ARE MEASURED
BASED ON AN ASSUMED BOX WALL
THICKNESS OF 0'-8".



WINGWALLS #1 & #2 ELEVATION
SCALE 3/8" = 1'-0"
(AT INLET)



WINGWALLS #3 & #4 ELEVATION
SCALE 3/8" = 1'-0"
(AT OUTLET)



PROJECT NAME: FAIRLEE
PROJECT NUMBER: STP CULV (13)

FILE NAME: s08c060pipepro.dgn
PROJECT LEADER: C.P.WILLIAMS
DESIGNED BY: L.J.STONE
WINGWALL LAYOUT

PLOT DATE: 11-MAR-2009
DRAWN BY: L.J.STONE
CHECKED BY: E.L.RUSTAY
SHEET 15 OF 26