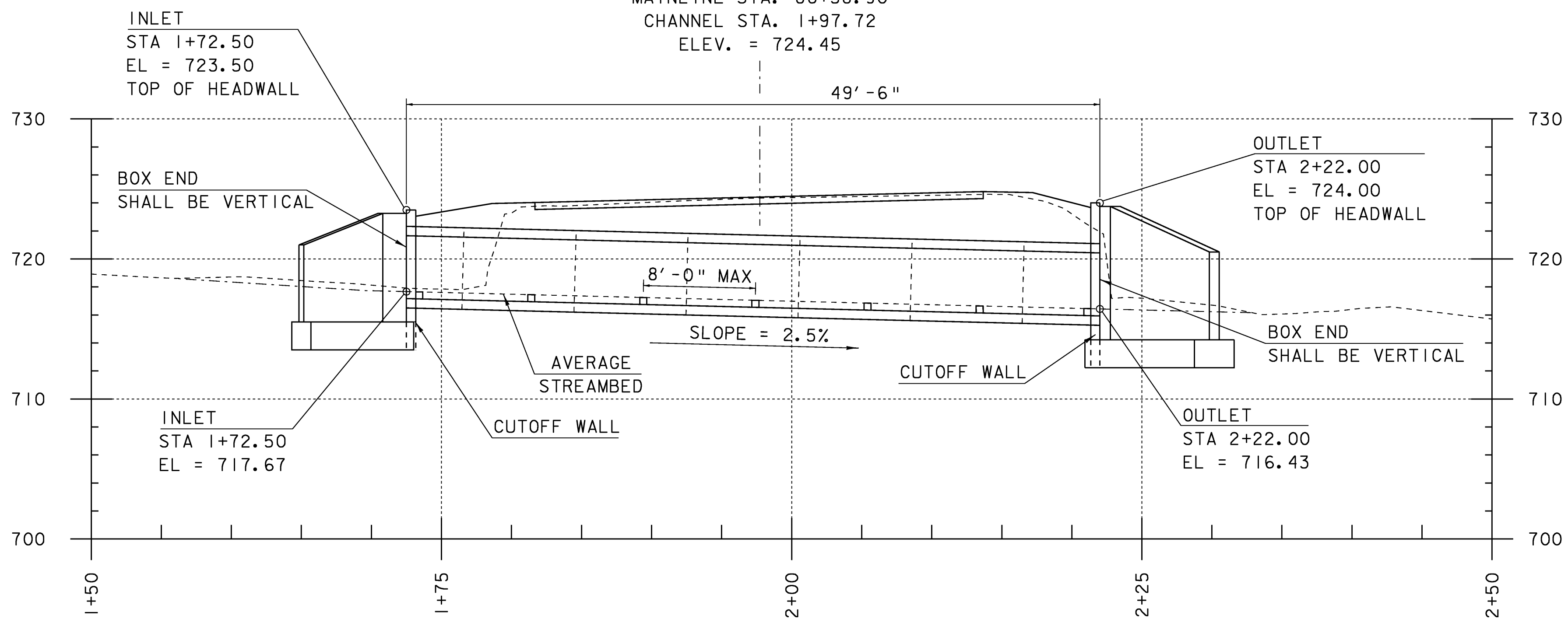


**PRECAST CONCRETE BOX LAYOUT**

SCALE 1" = 6'-0"

VT 244  
MAINLINE STA. 86+58.90  
CHANNEL STA. 1+97.72  
ELEV. = 724.45

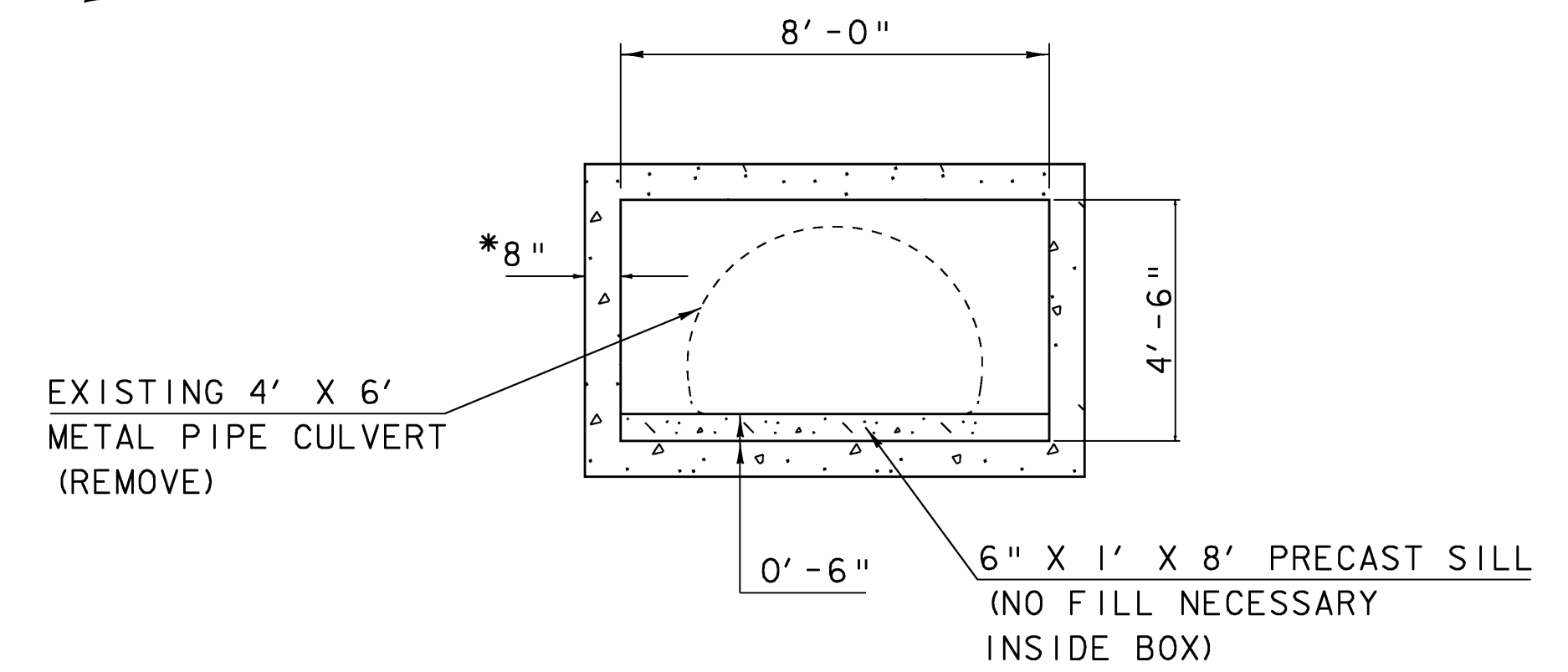


**PRECAST CONCRETE BOX ELEVATION VIEW**

(PROFILE ALONG CL OF CHANNEL)

SCALE 1" = 6'-0"

\*NOTE:  
DIMENSIONS SHOWN ARE MEASURED  
BASED ON AN ASSUMED BOX WALL  
THICKNESS OF 0'-8".



**PRECAST CONCRETE BOX CROSS SECTION**

SCALE 1" = 3'-0"

PROJECT NAME: FAIRLEE	PLOT DATE: 11-MAR-2009
PROJECT NUMBER: STP CULV (13)	DRAWN BY: L.J.STONE
FILE NAME: s08c060pipepro.dgn	CHECKED BY: E.L.RUSTAY
PROJECT LEADER: C.P.WILLIAMS	BOX CONSTRUCTION DETAILS
DESIGNED BY: L.J.STONE	SHEET 14 OF 26