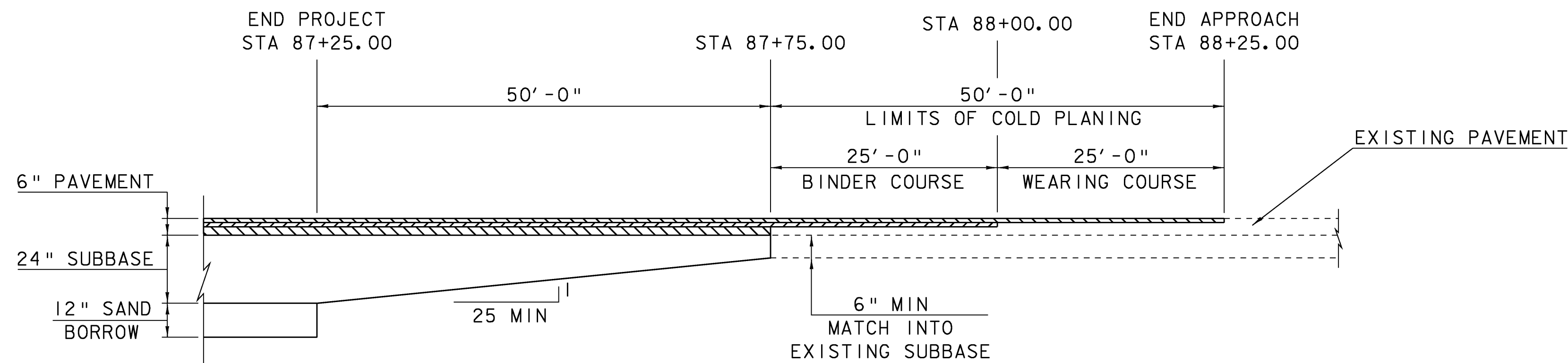


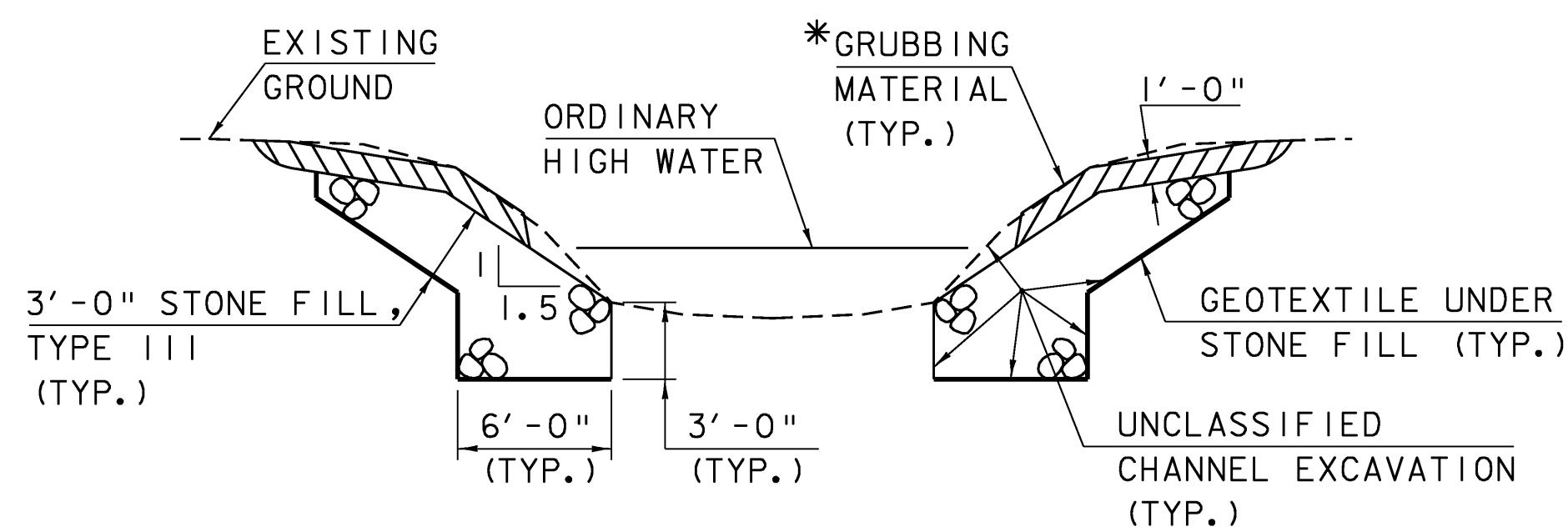
BEGIN PROJECT MATERIAL TRANSITION

HORIZONTAL SCALE: 1" = 10'-0"
VERTICAL SCALE: NOT TO SCALE



END PROJECT MATERIAL TRANSITION

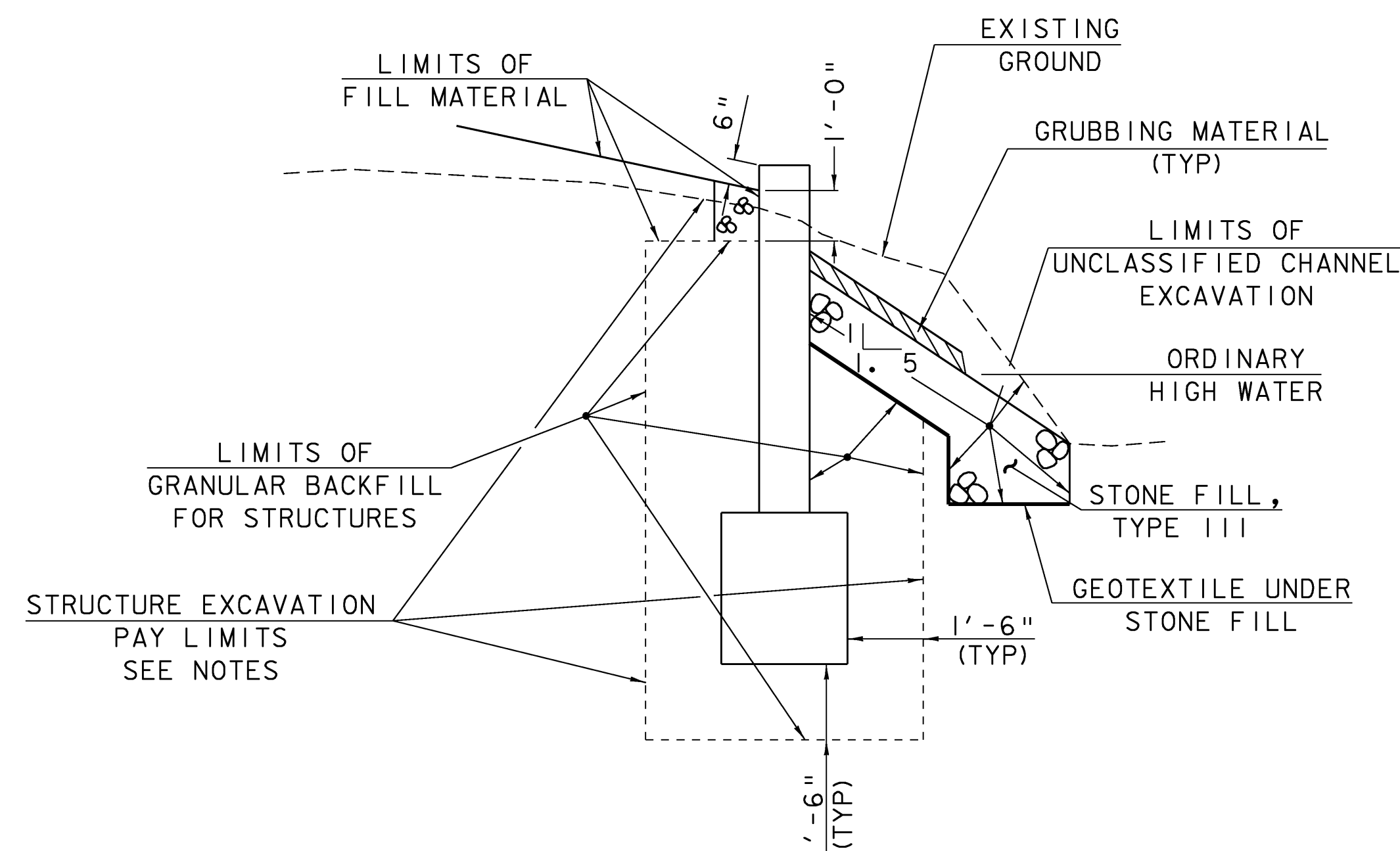
HORIZONTAL SCALE: 1" = 10'-0"
VERTICAL SCALE: NOT TO SCALE



TYPICAL CHANNEL SECTION

(NOT TO SCALE)

*WHENEVER CHANNEL SLOPE INTERSECTS ROADWAY SUBBASE, GRUBBING MATERIAL SHALL BEGIN AT THE BOTTOM OF SUBBASE.

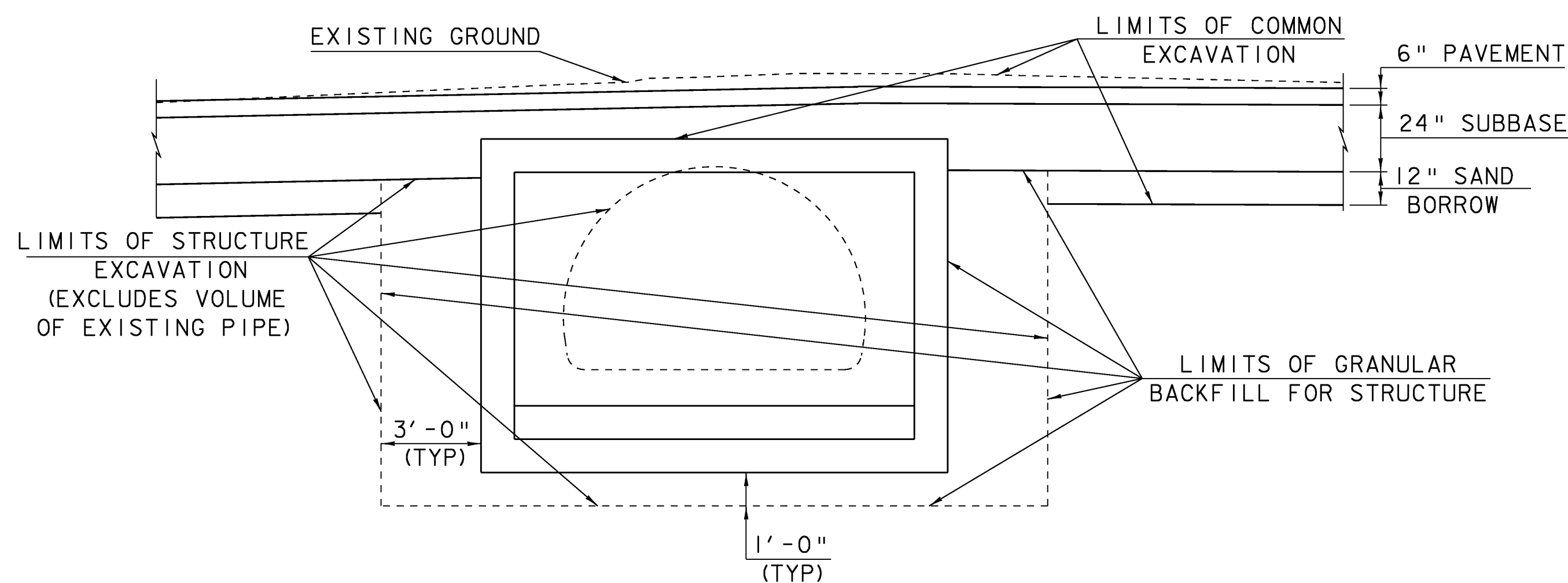


TYPICAL PRECAST WINGWALL SECTION EXCAVATION AND FILL DETAIL

(NOT TO SCALE)

NOTE:

- 1) ACTUAL EXCAVATION SHALL BE DETERMINED BY THE CONTRACTOR. HOWEVER, ONLY THE EXCAVATION BETWEEN THE LIMITS SHOWN ABOVE WILL BE PAID FOR UNDER THE ITEM 204.25 "STRUCTURE EXCAVATION".
- 2) ACTUAL FILL SHALL BE DETERMINED BY THE CONTRACTOR. HOWEVER, ONLY THE FILL BETWEEN THE LIMITS SHOWN ABOVE WILL BE PAID FOR UNDER THE ITEM 204.30 "GRANULAR BACKFILL FOR STRUCTURES".



TYPICAL CONCRETE BOX EXCAVATION AND FILL DETAIL

(NOT TO SCALE)

SCALE 1" = 10'-0"
10 0 10

PROJECT NAME: FAIRLEE
PROJECT NUMBER: STP CULV (13)

FILE NAME: s08c060+yp.dgn
PROJECT LEADER: C.P.WILLIAMS
DESIGNED BY: L.J.STONE
EXCAVATION AND TRANSITION DETAILS

PLOT DATE: 11-MAR-2009
DRAWN BY: L.J.STONE
CHECKED BY: E.L.RUSTAY
SHEET 6 OF 26