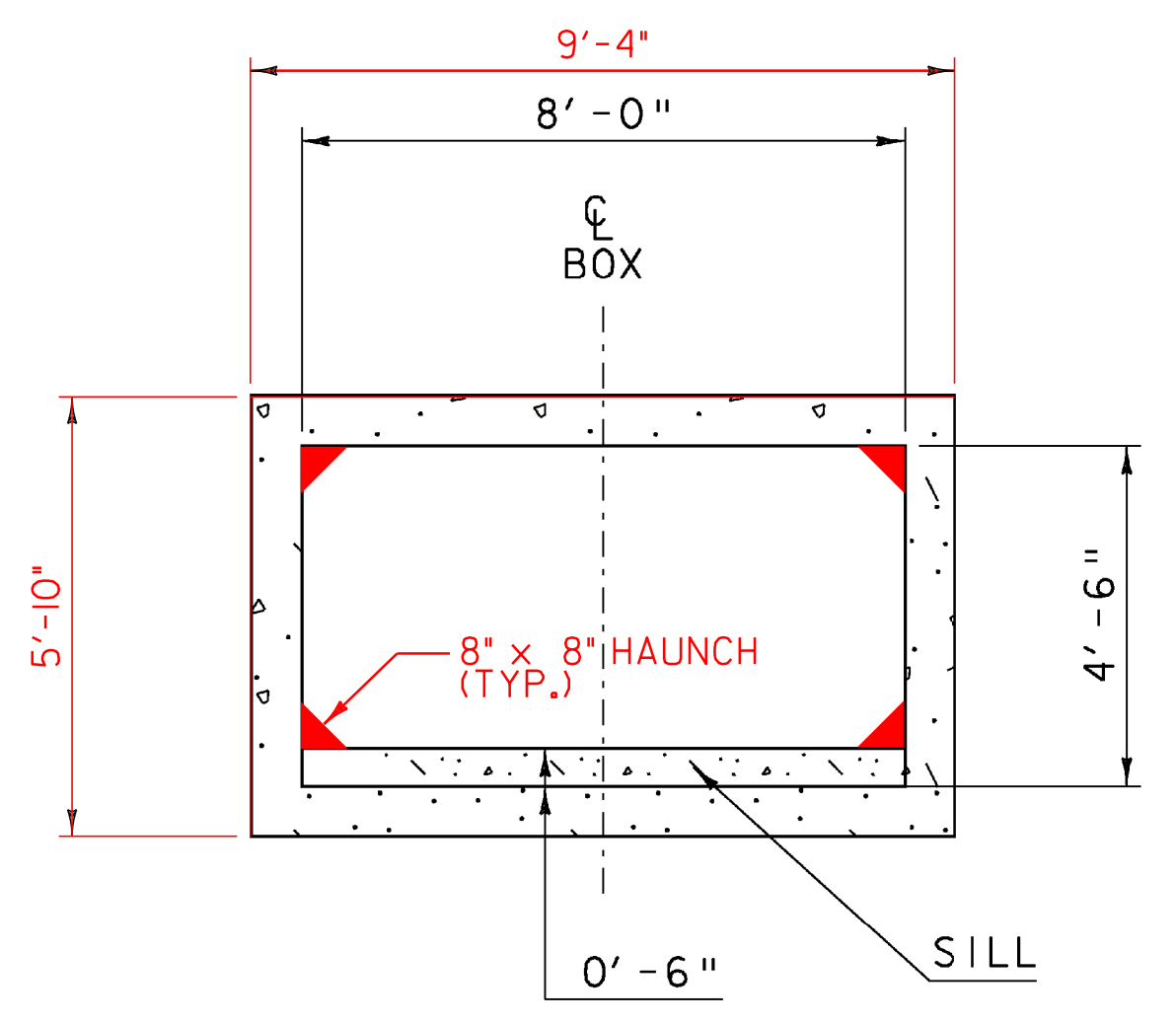


MATERIAL ITEM	TOLERANCE
PAVEMENT	± 1/4 " TOTAL THICKNESS
AGGREGATE SURFACE COURSE	± 1/2 "
BASE COURSE	± 1/2 "
SUBBASE	± 1 "
SAND BORROW	± 1 "
GRANULAR BORROW	± 1 "

**VT 244 TYPICAL SECTION**  
SCALE 3/8" = 1'-0"

\* 1 1/2" BITUMINOUS CONCRETE PAVEMENT TYPE IVS OVER  
1 1/2" BITUMINOUS CONCRETE PAVEMENT TYPE IVS OVER  
3" BITUMINOUS CONCRETE PAVEMENT TYPE IIS



**PRECAST CONCRETE BOX CROSS SECTION**  
SCALE 3/8" = 1'-0"

**SEEDING FORMULA  
RURAL AREAS**

% WT.	LBS. /A.	NAME	PUR %	GERM %
37.5	22.5	CREeping RED FESCUE	98	85
37.5	22.5	TALL FESCUE	95	90
5.0	3.0	RED TOP	95	90
15.0	9.0	BIRDSFOOT TREFOIL	98	85
5.0	3.0	ANNUAL RYE GRASS	95	85
100.0	60.0			

**SEEDING GENERAL NOTES**

SEED MIXTURE: SHALL NOT HAVE A WEED CONTENT EXCEEDING 0.40% BY WEIGHT AND SHALL BE FREE OF ALL NOXIOUS SEED.

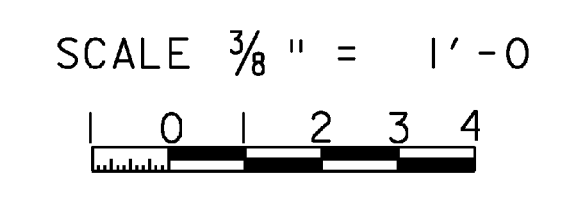
SEED: TO BE APPLIED PER SEEDING FORMULAS OR AS DIRECTED BY THE ENGINEER.

FERTILIZER: FORMULA 10-20-10, TO BE USED WITH SEED, APPLIED AT THE RATE OF 500 LBS/ACRE. (HYDRO SEEDERS MAY USE 19-19-19 FORMULA).

AGRICULTURAL LIMESTONE: TO BE APPLIED AT THE RATE OF 2 TONS/ACRE, OR AS DIRECTED BY THE ENGINEER.

HAY MULCH: TO BE PLACED ON EARTH SLOPES AT THE RATE OF 2 TONS/ACRE, OR AS DIRECTED BY THE ENGINEER.

TOPSOIL: TO BE USED WITH SEED AS INDICATED ON THE PLANS, OR AS DIRECTED BY THE ENGINEER.



PROJECT NAME: FAIRLEE	PLOT DATE: 11-MAR-2009
PROJECT NUMBER: STP CULV (13)	DRAWN BY: L.J.STONE
FILE NAME: s08c060+yp.dgn	CHECKED BY: E.L.RUSTAY
PROJECT LEADER: C.P.WILLIAMS	SHEET 5 OF 26
DESIGNED BY: L.J.STONE	
TYPICAL SECTION	