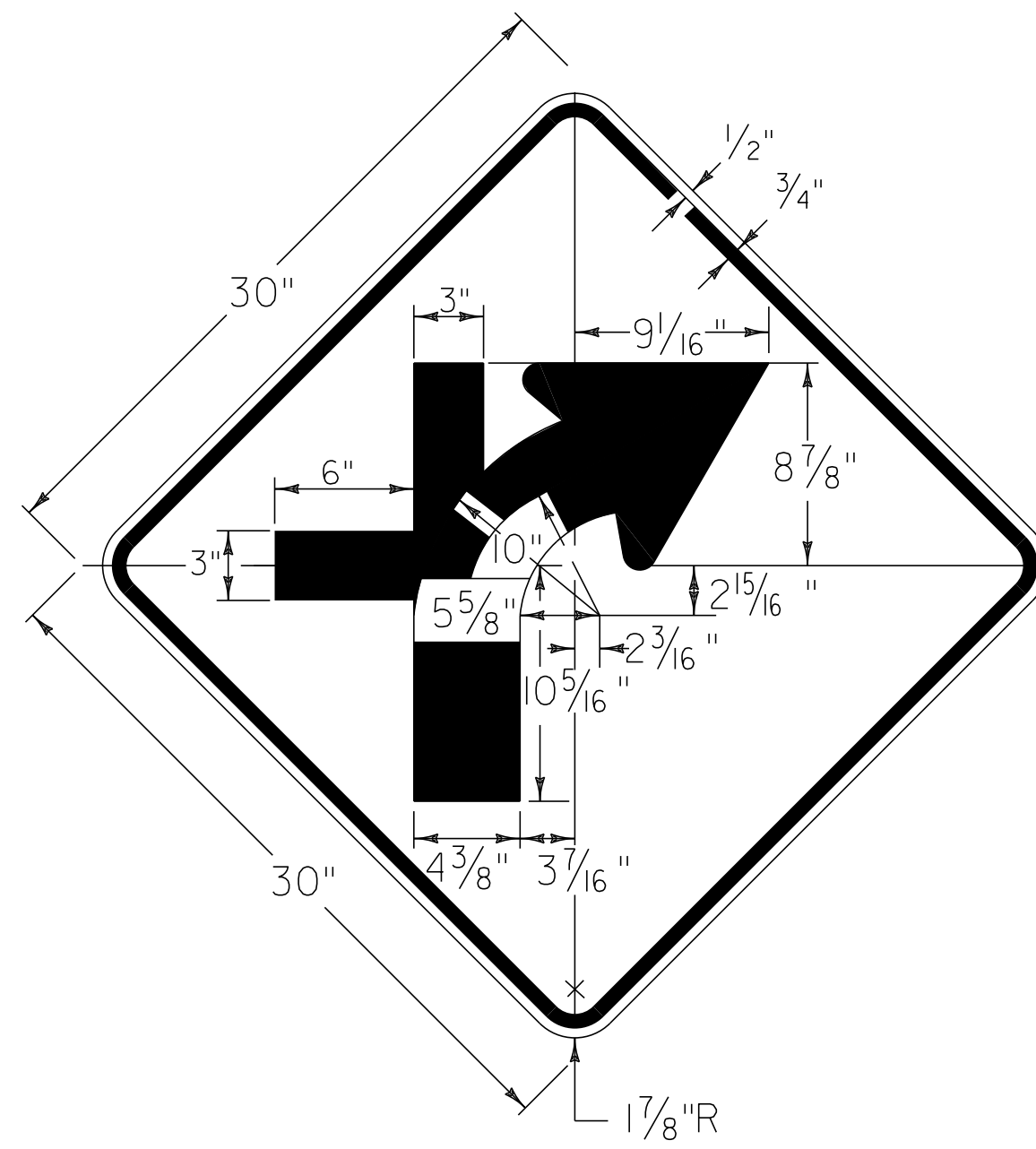


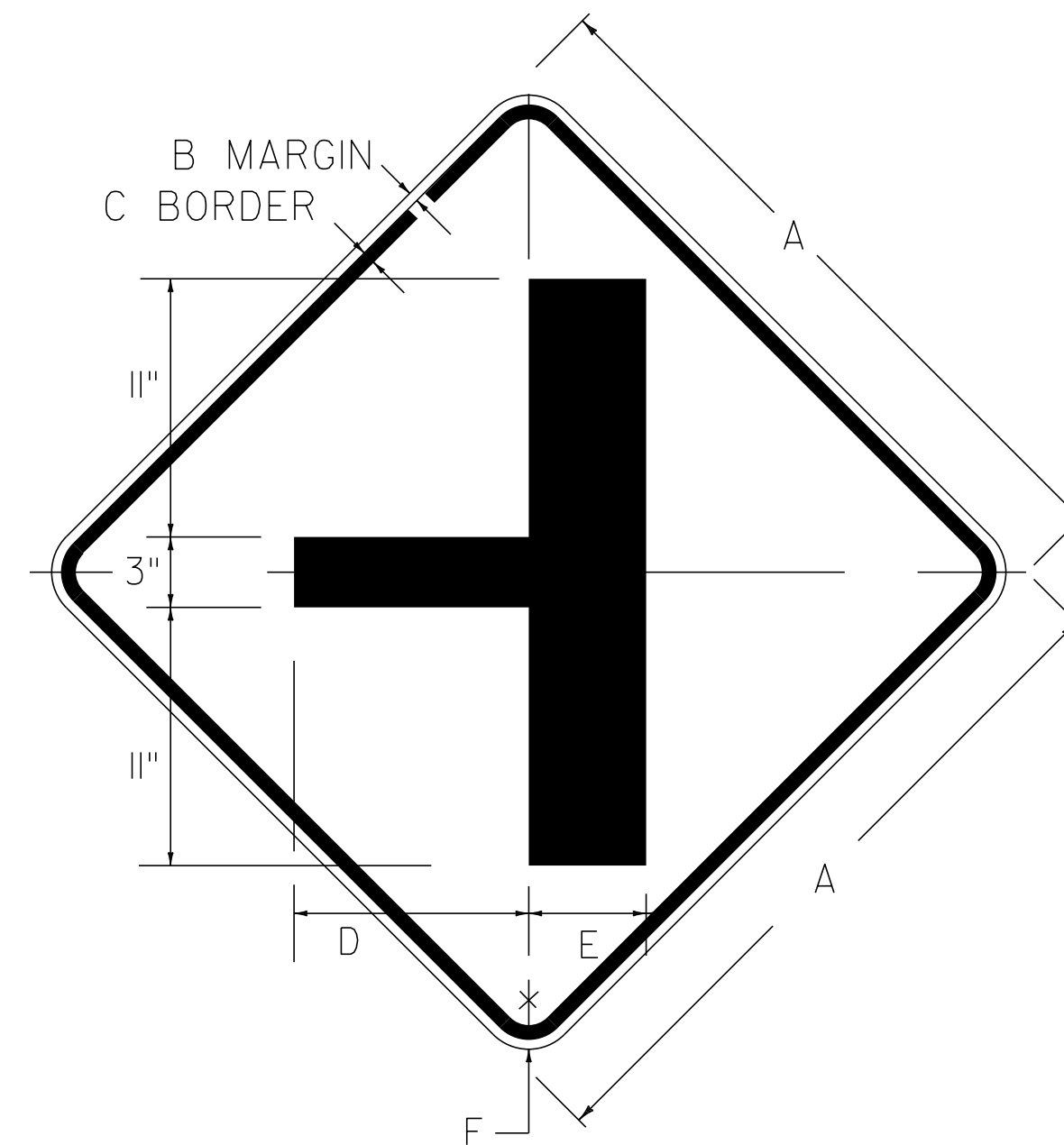
30.0" across sides 1.9" Radius, 0.8" Border, 0.5" Indent, Black on Yellow;
 "SHOULDER" C; "NARROWS" C;

VW



W R

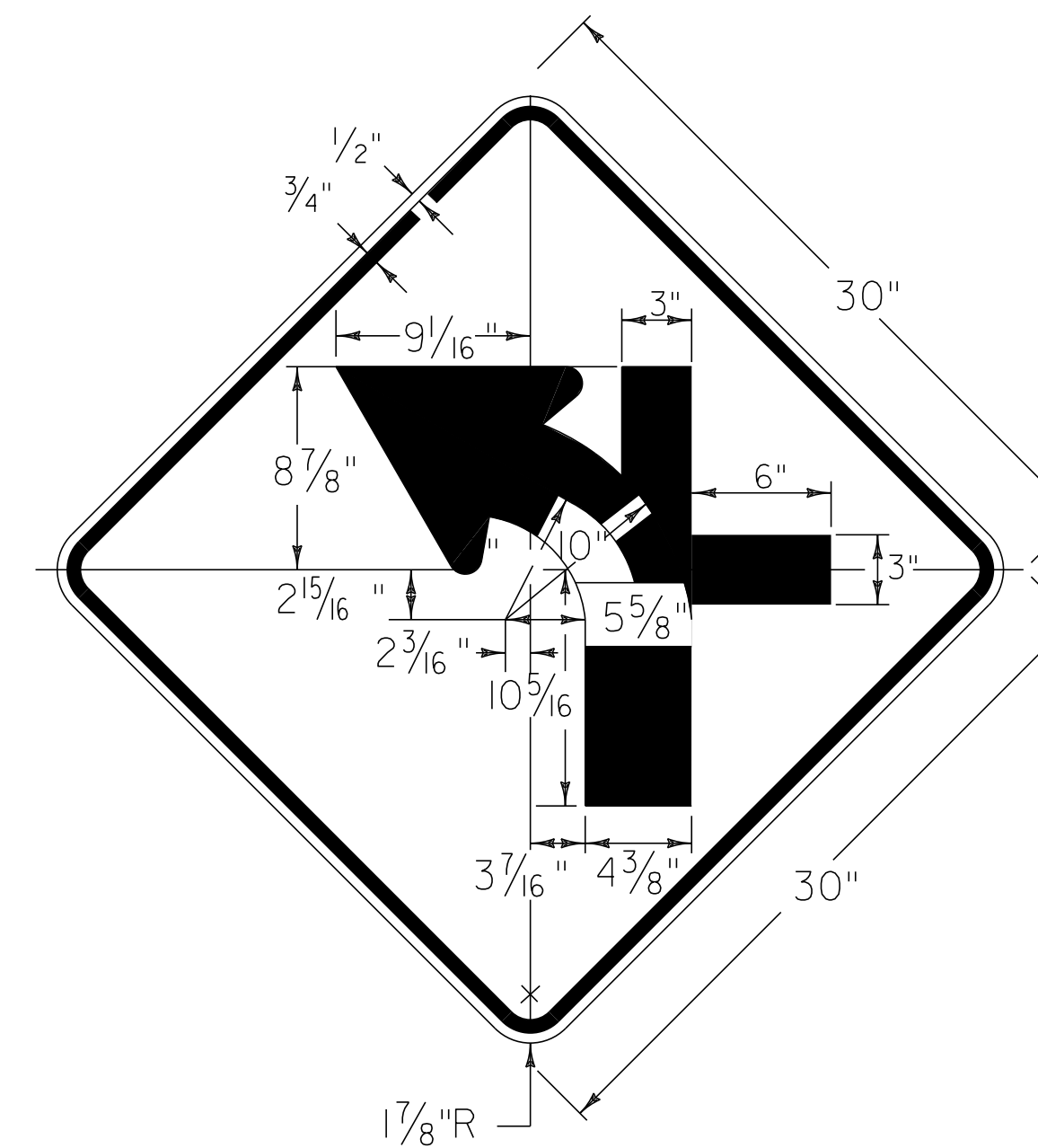
(MOD)
 COLORS:
 BLACK SYMBOL & BORDER
 WITH YELLOW BACKGROUND



W MaR L

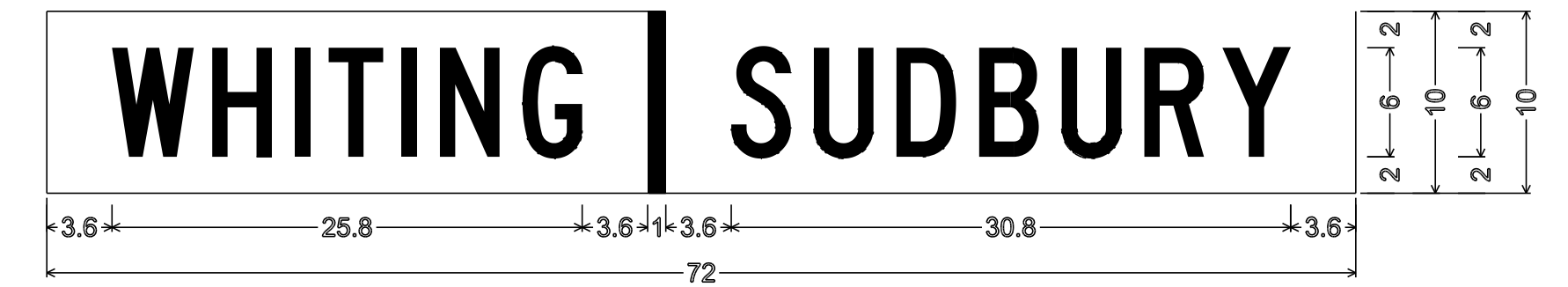
REFER TO THE STANDARD HIGHWAY SIGN BOOK
 SIGN DETAIL W2-2 FOR CONVENTIONAL ROAD
 DIMENSIONS THAT CORRESPOND TO THE LETTERS
 LABELED ON THIS SIGN DETAIL.

COLORS:
 BLACK SYMBOL & BORDER
 WITH YELLOW BACKGROUND



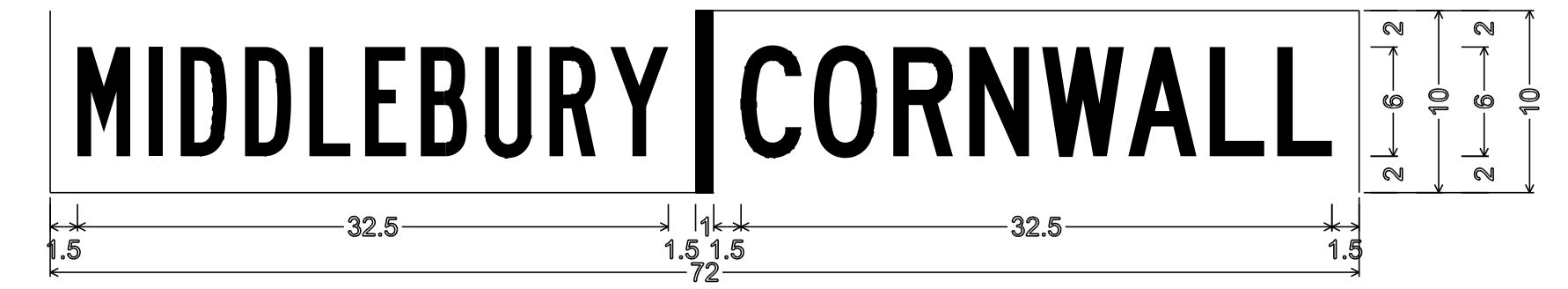
W L

(MOD)
 COLORS:
 BLACK SYMBOL & BORDER
 WITH YELLOW BACKGROUND



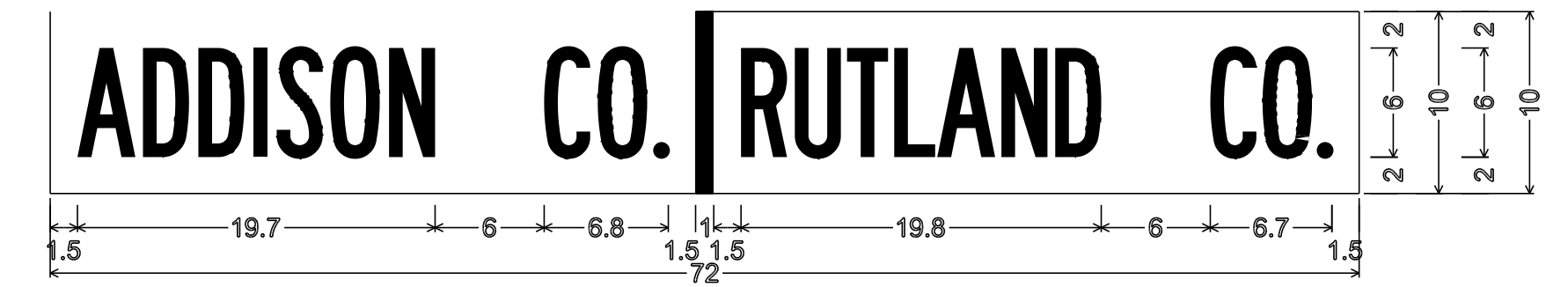
No border, White on Green;
 "WHITING" C; "SUDBURY" C;

VD



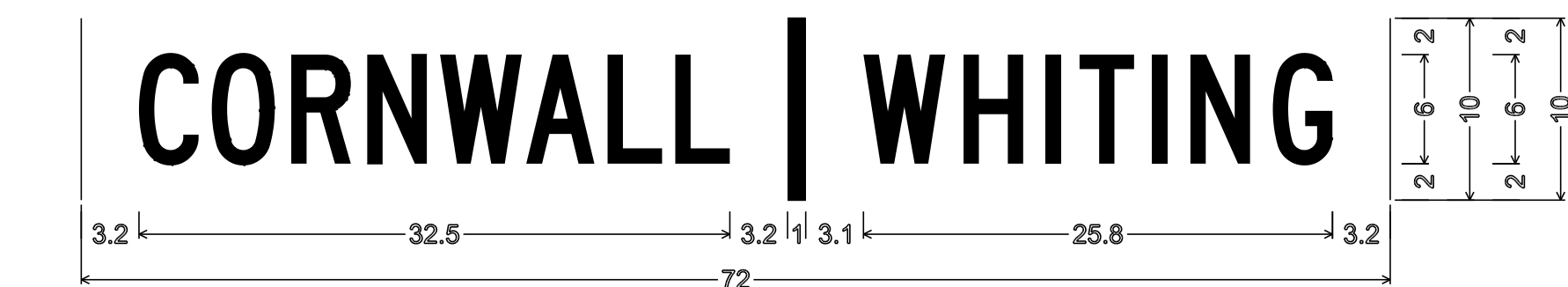
No border, White on Green;
 "MIDDLEBURY" B specified length; "CORNWALL" C specified length;

VD



No border, White on Green;
 "ADDISON CO." B specified length; "RUTLAND CO." B specified length;

VD



No border, White on Green;
 "CORNWALL" C specified length; "WHITING" C specified length;

VD

PROJECT NAME: SUDBURY-MIDDLEBURY
 PROJECT NUMBER: STPG SIGN (16)

FILE NAME: stpg sign16 plans.dgn
 PROJECT LEADER: N. AVERY
 DESIGNED BY: N. AVERY
 SIGN DETAILS I

PLOT DATE: 22-JUL-2014 16:49
 DRAWN BY: ROADWAY
 CHECKED BY: A. GAMBLE
 SHEET 22 OF 45