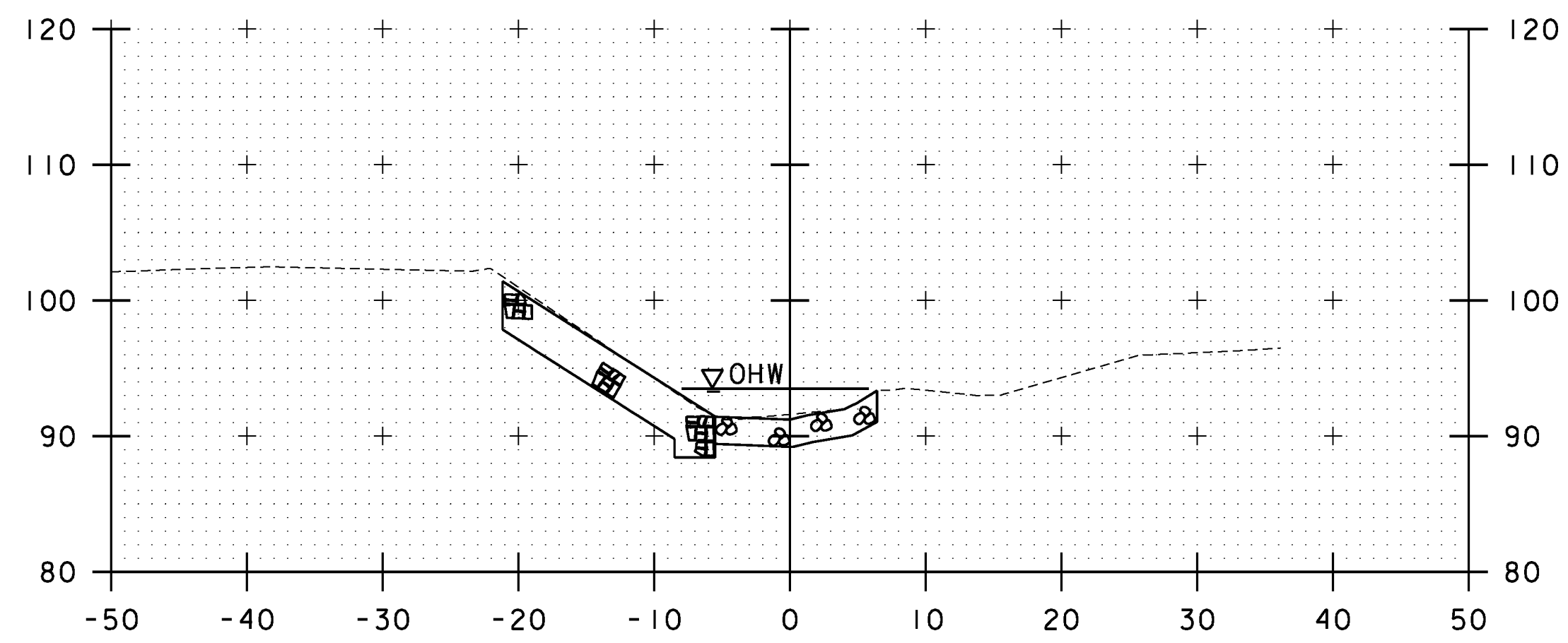
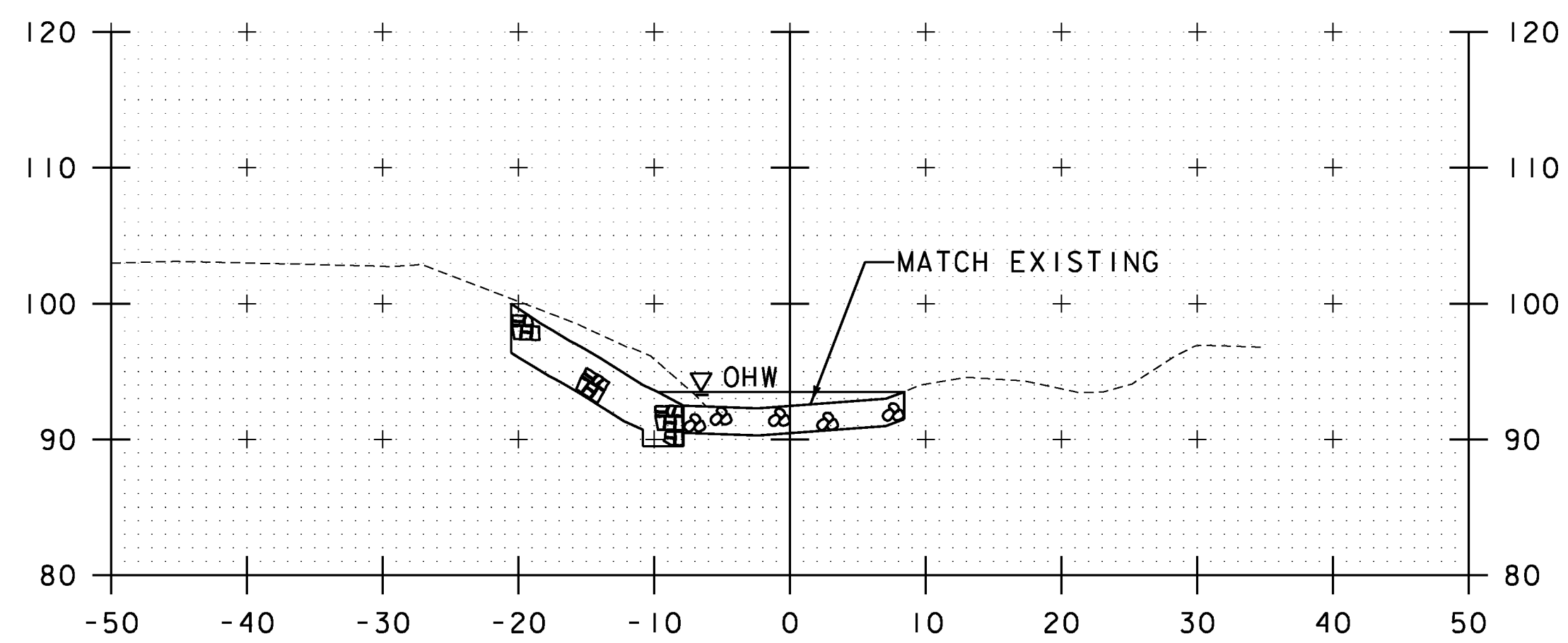


10+61



10+50

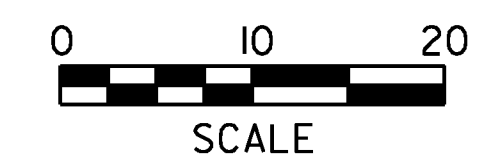


10+30

LEGEND

	3'-0" STONE FILL, TYPE III
	ITEM 900.608 SPECIAL PROVISION (STONE FILL, STREAM BED MATERIAL)

NOTE: ROCK WEIRS NOT SHOWN FOR CLARITY.



PROJECT NAME: WINHALL	PLOT DATE: 1/5/2011
PROJECT NUMBER: STP CULV(22)	DRAWN BY: J. SOTER
FILE NAME: ...drawing\z08b198xs.dgn	CHECKED BY: M. CHENETTE
PROJECT LEADER: G. BOGUE	SHEET 20 OF 21
DESIGNED BY: T. KNIGHT	
CHANNEL CROSS SECTIONS 1	

