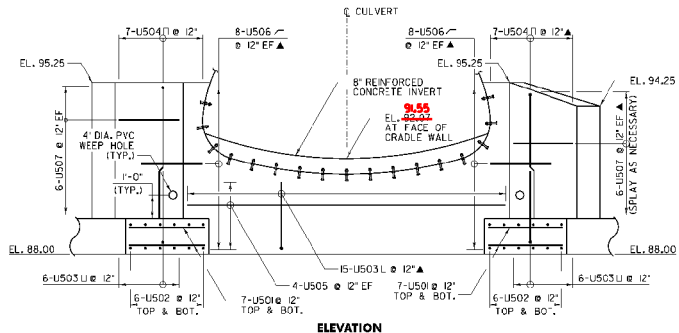


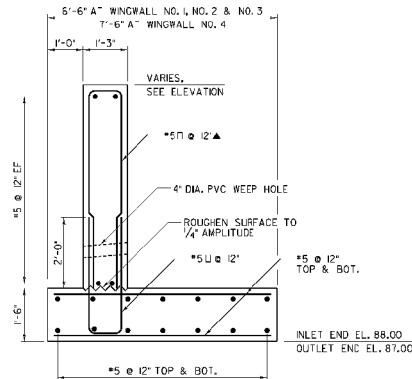
PLAN



ELEVATION

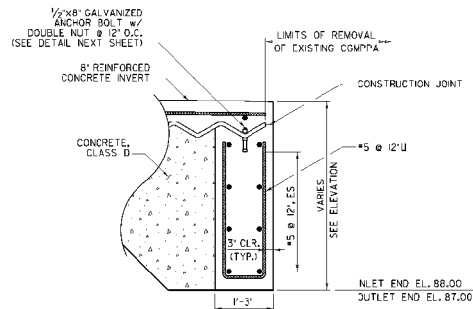
INLET CRADLE WALL

SCALE: 1/2" = 1'-0"



TYPICAL WINGWALL SECTION

NOT TO SCALE



CRADLE WALL SECTION

SCALE: 1" = 1'-0"

1 0 6 3 0

2

LEGEND
EF = EACH FACE
▲ = CUT TO FIT IN FIELD



PROJECT NAME:	WINHALL
PROJECT NUMBER:	STP_CULV(22)
FILE NAME:	...rdrw\g\208\98cradletda.dwg
DATE:	1/5/2011
DRAWN BY:	J. SOTER
DESIGNED BY:	T. KINCH
CHECKED BY:	M. CHIENETTE
CRADLE WALL DETAILS 1	SHEET 17 OF 21