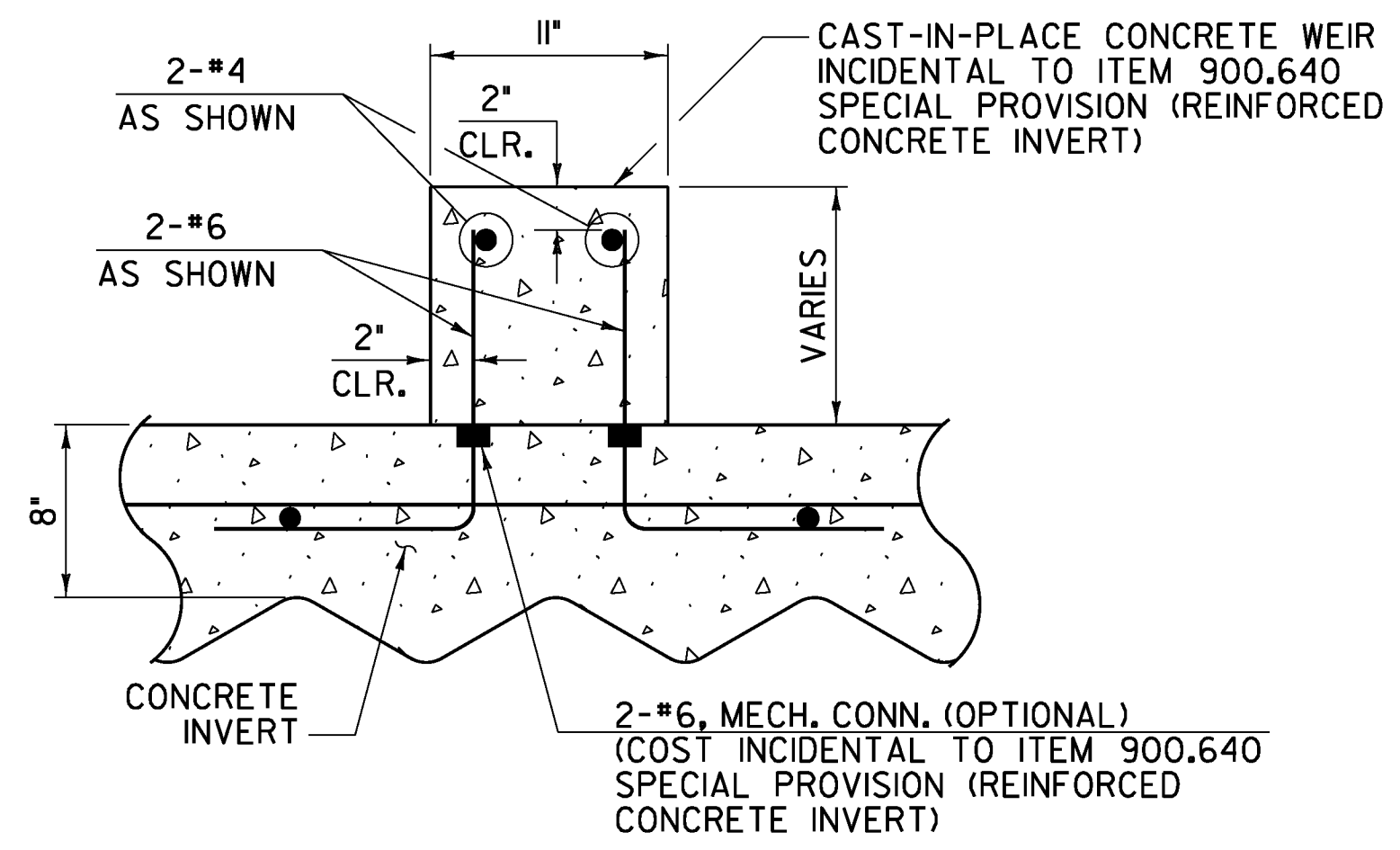
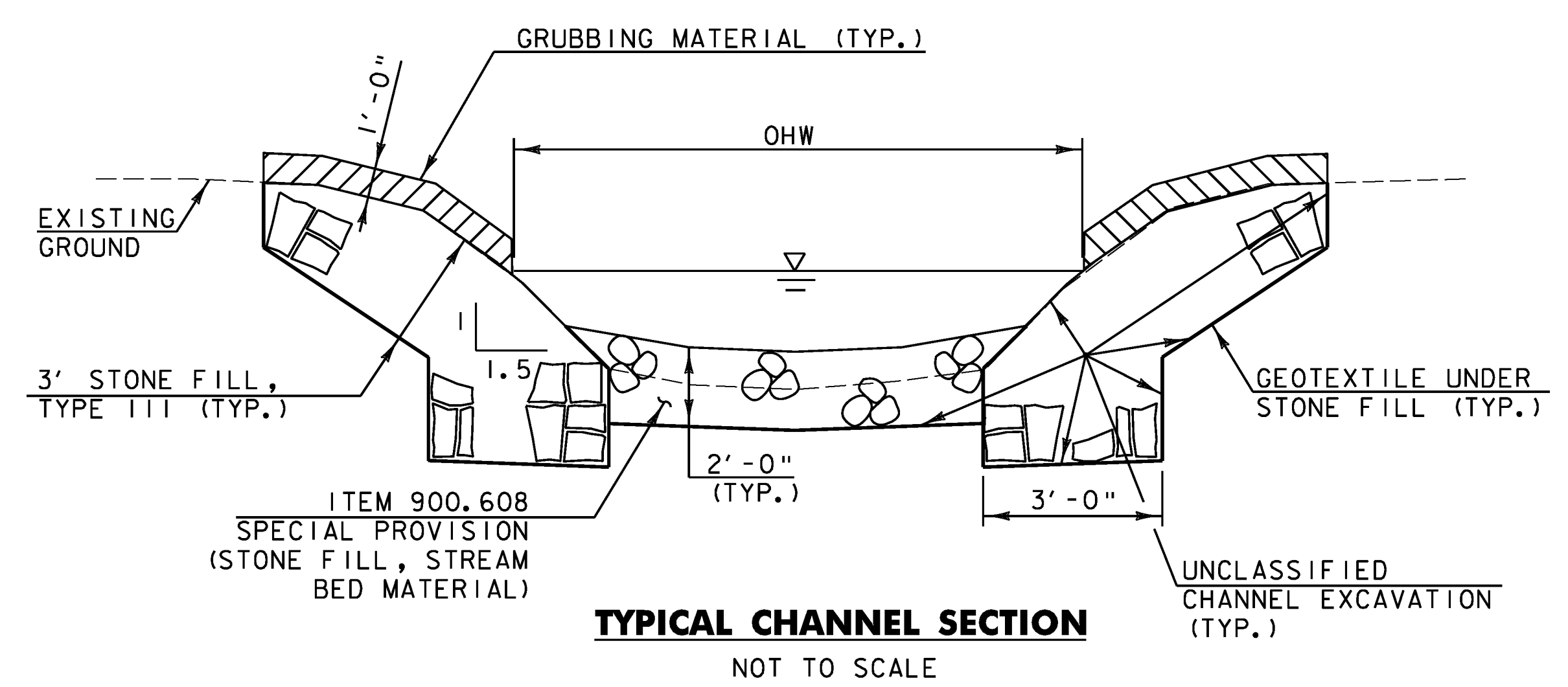


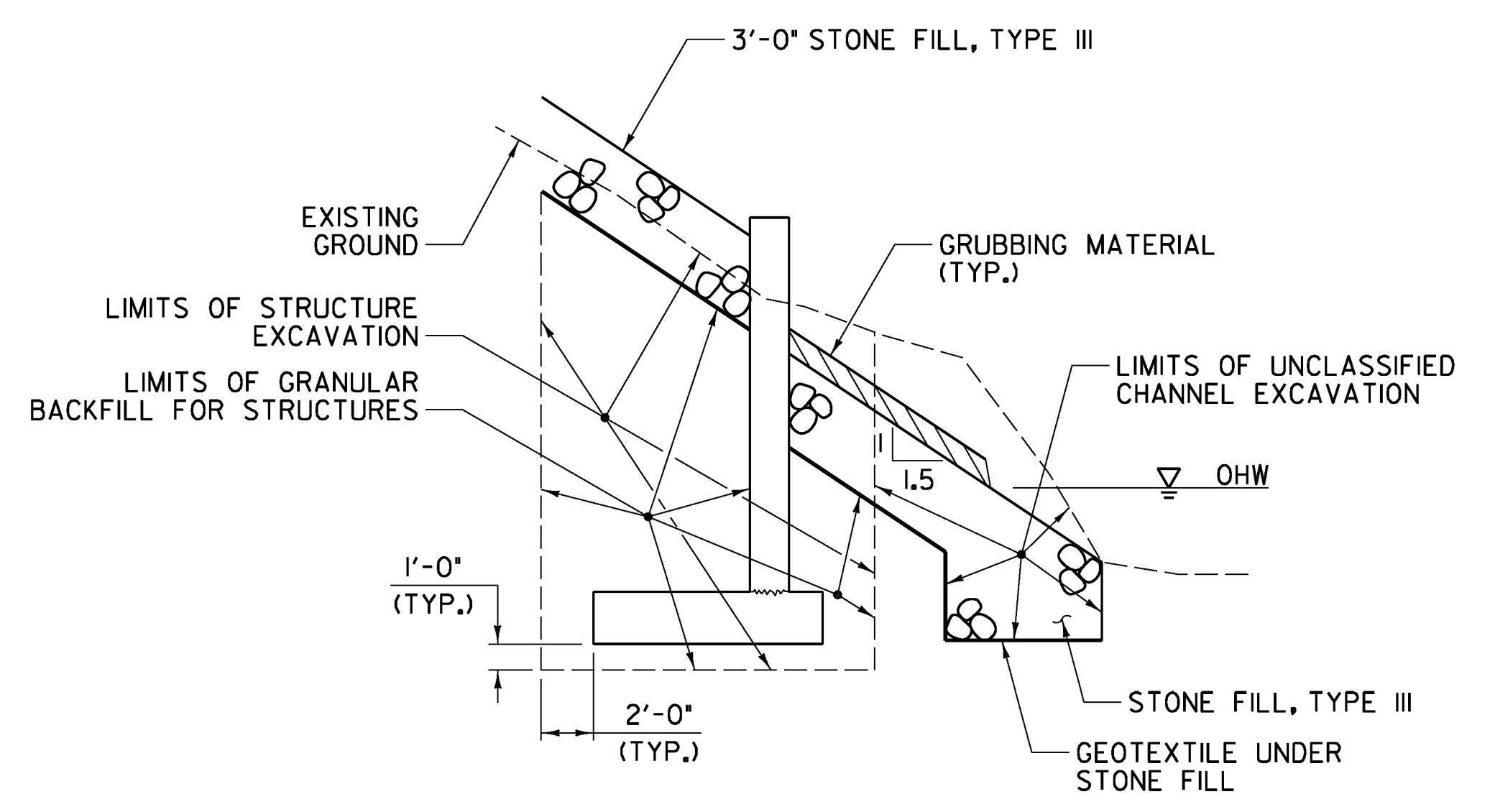
TYPICAL CULVERT REPAIR DETAIL
SCALE: 1" = 1'-0"



SECTION A-A
SCALE: 1/2" = 1'-0"



TYPICAL CHANNEL SECTION
NOT TO SCALE



TYPICAL WINGWALL SECTION
NOT TO SCALE

PROJECT NAME:	WINHALL
PROJECT NUMBER:	STP CULV(22)
FILE NAME: ...drawing\z08bl98typsecdets.dg	LOT DATE: 1/6/2011
PROJECT LEADER: G. BOGUE	DRAWN BY: J. SOTER
DESIGNED BY: T. KNIGHT	CHECKED BY: M. CHENETTE
TYPICAL SECTIONS AND DETAILS	
SHEET 4 OF 21	

