

CROSSWALK PATTERN DETAIL

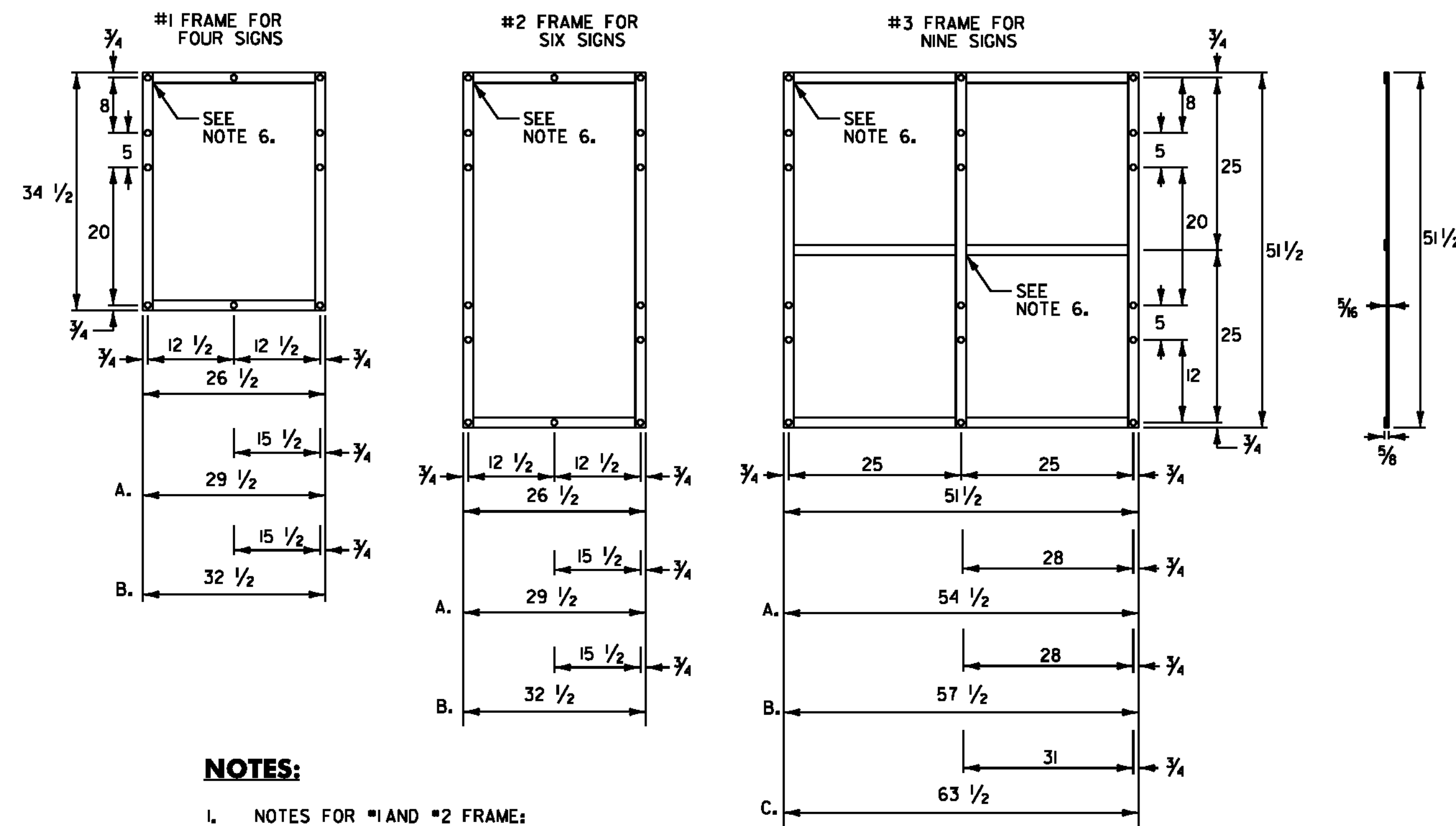
* ADJUST SPACING 12"-24" TO AVOID WHEEL PATHS

TRAFFIC SIGN NOTES

1. ALL SIGN LETTERING, DIGITS, ARROWS, AND DESIGN OF SYMBOLS FOR SIGNS DETAILED AND REFERENCED IN THESE PLANS SHALL CONFORM WITH THE "STANDARD ALPHABET FOR HIGHWAY SIGNS AND PAVEMENT MARKING" AS ADOPTED BY THE U.S. DEPARTMENT OF TRANSPORTATION AND THE FEDERAL HIGHWAY ADMINISTRATION (FHWA).
2. ALL COLORS SHALL CONFORM WITH THE STANDARD COLORS ADOPTED BY THE AMERICAN ASSOCIATION OF STATE HIGHWAY AND TRANSPORTATION OFFICIALS (AASHTO) AND APPROVED BY FHWA UNLESS OTHERWISE NOTED.
3. UNLESS OTHERWISE DETAILED ON THE PLANS, ALL SIGN BASE MATERIAL SHALL BE FLAT SHEET ALUMINUM WITH THE FOLLOWING MINIMUM THICKNESSES:

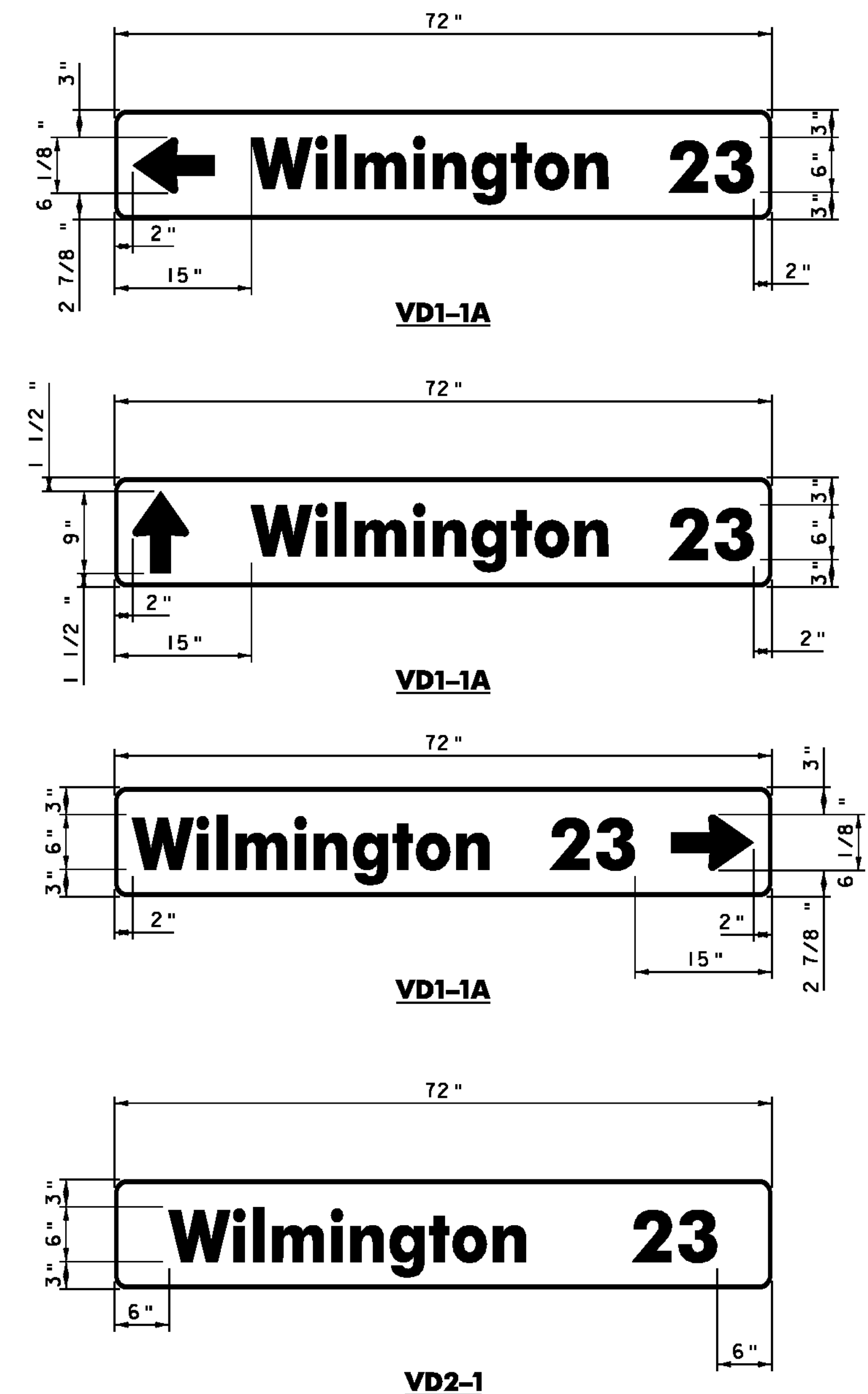
SIZES	24" X 10"	24" X 12"	36" X 12"	
	24" X 12"	36" X 15"		
	24" X 24"	36" X 18"	48" X 18"	
	24" X 30"	36" X 24"	48" X 24"	
	9" X 12"	30" X 15"	30" X 42"	48" X 30"
	12" X 12"	30" X 18"	36" X 36"	48" X 42"
	18" X 18"	30" X 30"	36" X 48"	48" X 48"
	21" X 15"	30" X 42"	36" X 54"	48" X 60"
THICKNESS	0.060"	0.080"	0.100"	0.125"

ROUTE MARKER ASSEMBLY FRAMES



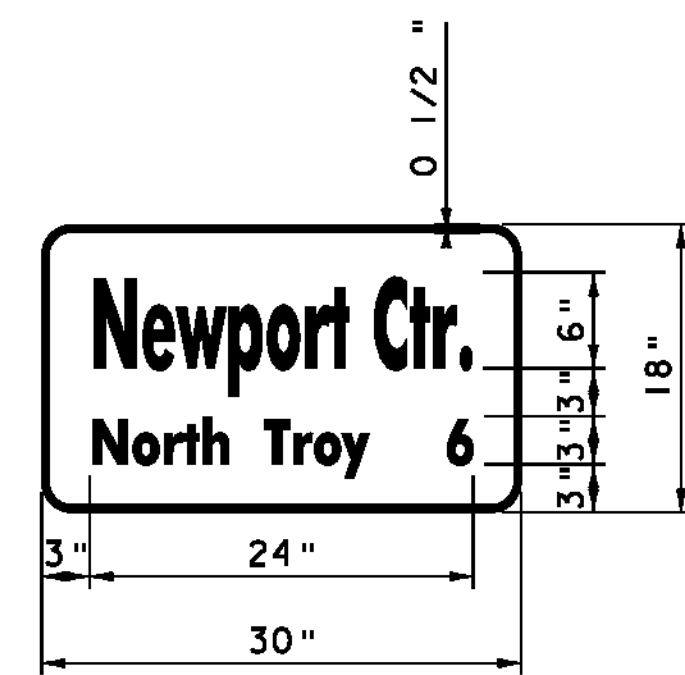
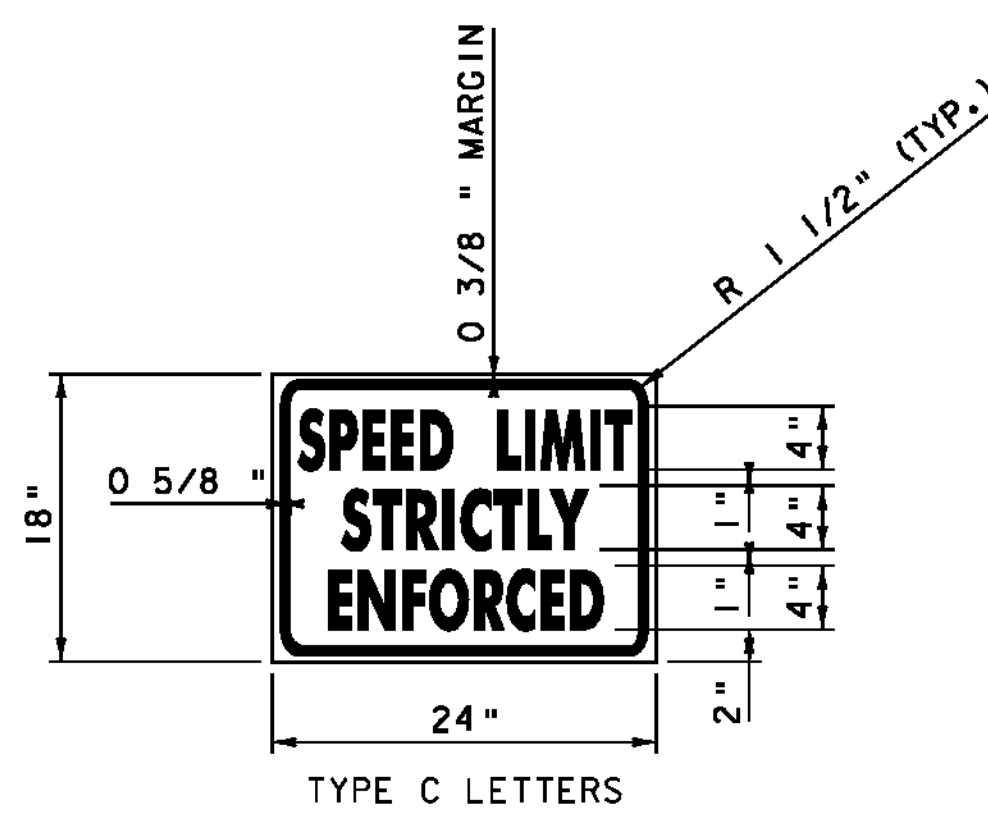
NOTES:

1. NOTES FOR #1 AND #2 FRAME:
 - A. WITH ONE 30 INCH THREE DIGIT SIGN
 - B. WITH TWO 30 INCH THREE DIGIT SIGNS
2. NOTES FOR #3 FRAME:
 - A. WITH ONE 30 INCH THREE DIGIT SIGN IN AN OUTSIDE POSITION.
 - B. WITH ONE 30 INCH THREE DIGIT SIGN IN THE CENTER POSITION OR TWO SUCH SIGNS IN THE OUTSIDE POSITIONS.
 - C. WITH THREE 30 INCH THREE DIGIT SIGNS.
3. ALL HOLES SHALL BE 7/16 INCH DIAMETER. FOR OTHER SIGN COMBINATIONS THAN ABOVE, THE FRAME DIMENSIONS AND HOLE SPACING SHALL BE MODIFIED AS NECESSARY. THE FRAME SHALL BE PAINTED WITH ONE COAT OF PRIMER AND A SECOND COAT OF BLACK PAINT. THE PAINT SHALL BE OF THE TYPE USED ON EXTERIOR METAL SURFACES TO PREVENT METAL CORROSION.
4. ALL DIMENSIONS SHOWN IN INCHES UNLESS OTHERWISE NOTED.
5. FRAMES SHALL BE CONSTRUCTED OF 3/8 INCH X 1/2 INCH A-36 STEEL.
6. ALL OVERLAPPED CONNECTIONS SHALL BE WELDED WITH TWO 1/4 INCH WIDE FILLET WELDS, 1 1/2 INCHES LONG.



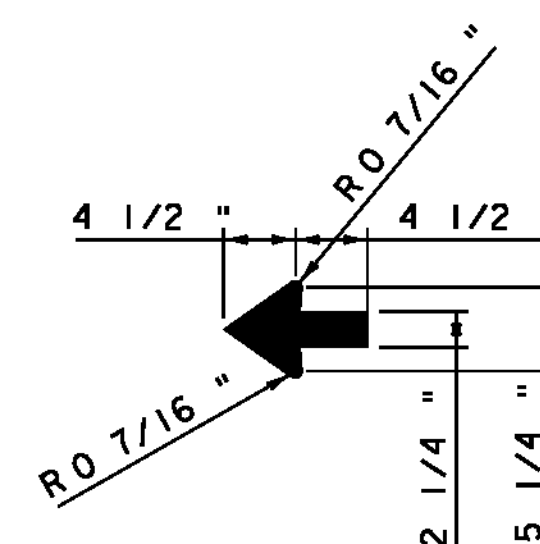
**STANDARD DESTINATION SIGN NOTES
VD1-1A, VD2-1**

- 1.) THE DESTINATION SIGN SHOWN ON THIS SHEET SHALL HAVE WHITE RETROREFLECTIVE ASTM TYPE III OR IV TEXT, ARROWS AND BORDERS ON A GREEN RETROREFLECTIVE ASTM TYPE III OR IV BACKGROUND.
- 2.) USE THE LARGEST LETTER / THICKEST FONT AVAILABLE THAT WILL SATISFY THE MINIMUM SPACING REQUIREMENTS, AS SHOWN IN THE DETAILS ABOVE. I.E. IF A 6" SERIES C LETTER DOES NOT WORK, DUE TO THE LENGTH OF THE WORD, USE A 6" SERIES B LETTER. IF A 6" SERIES B LETTER DOES NOT WORK, USE A 5" SERIES C. IF A 5" SERIES C LETTER DOES NOT WORK, USE A 5" SERIES B. USE NO LESS THAN 80% KERNING.



VD-018

1.500" RADIUS
WHITE ON GREEN
[Newport Ctr.] 6"B
[North Troy 6] 3"B AT 90% SPACING



STANDARD SHS 2.25" ARROW

DETAILS ARE NOT TO SCALE

**MISCELLANEOUS
DETAIL SHEET 1**

PROJECT NAME:	NEWPORT-COVENTRY-NEWPORT
PROJECT NUMBER:	STP 2802(1)
FILE NAME:	08b158.dgn
PROJECT LEADER:	CDL
DESIGNED BY:	SJL
PLOT FILE:	08b158-127.1
PLOT DATE:	8/3/2011
DRAWN BY:	SJL
CHECKED BY:	EPD
SHEET	127 OF 134