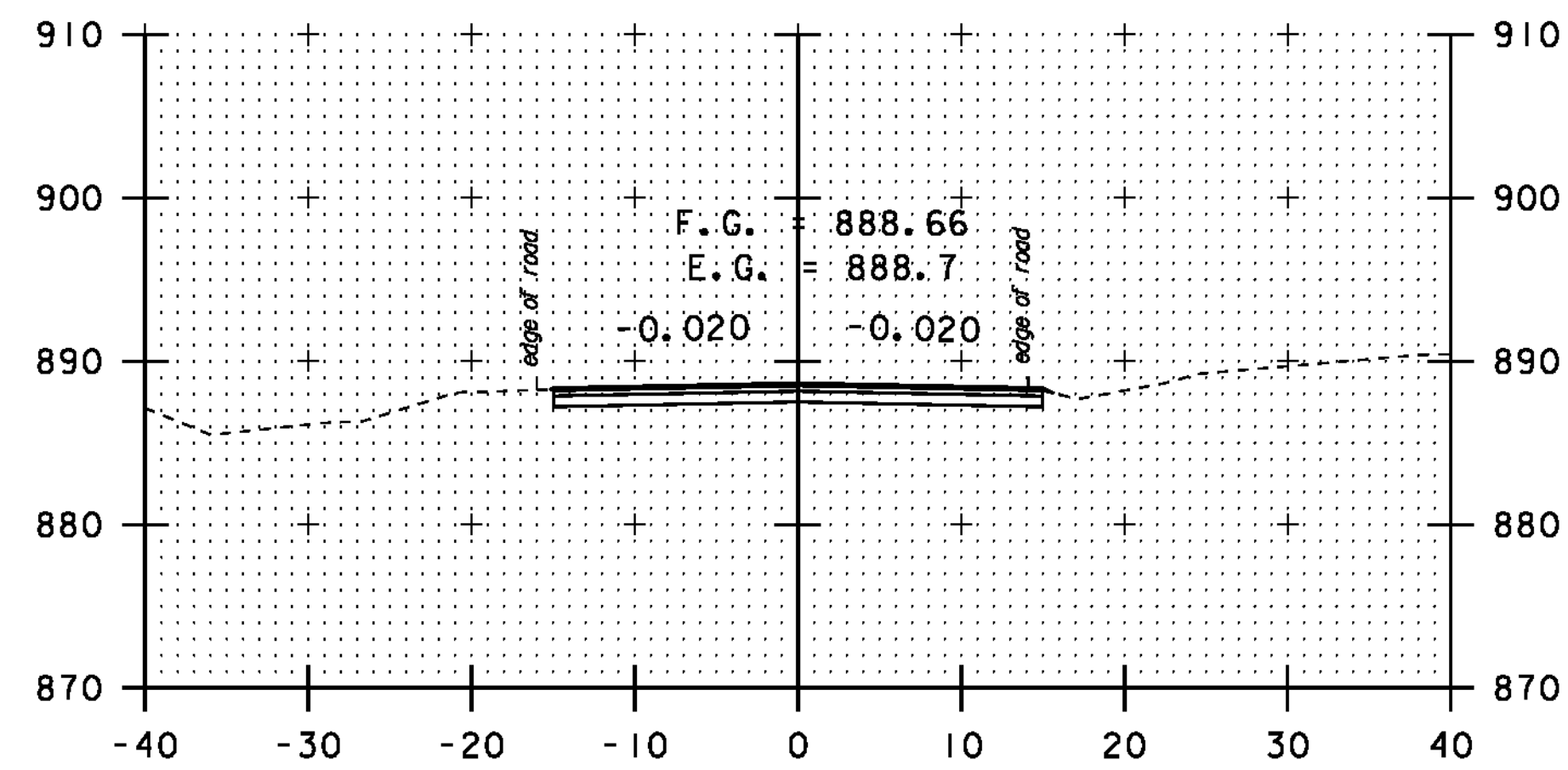
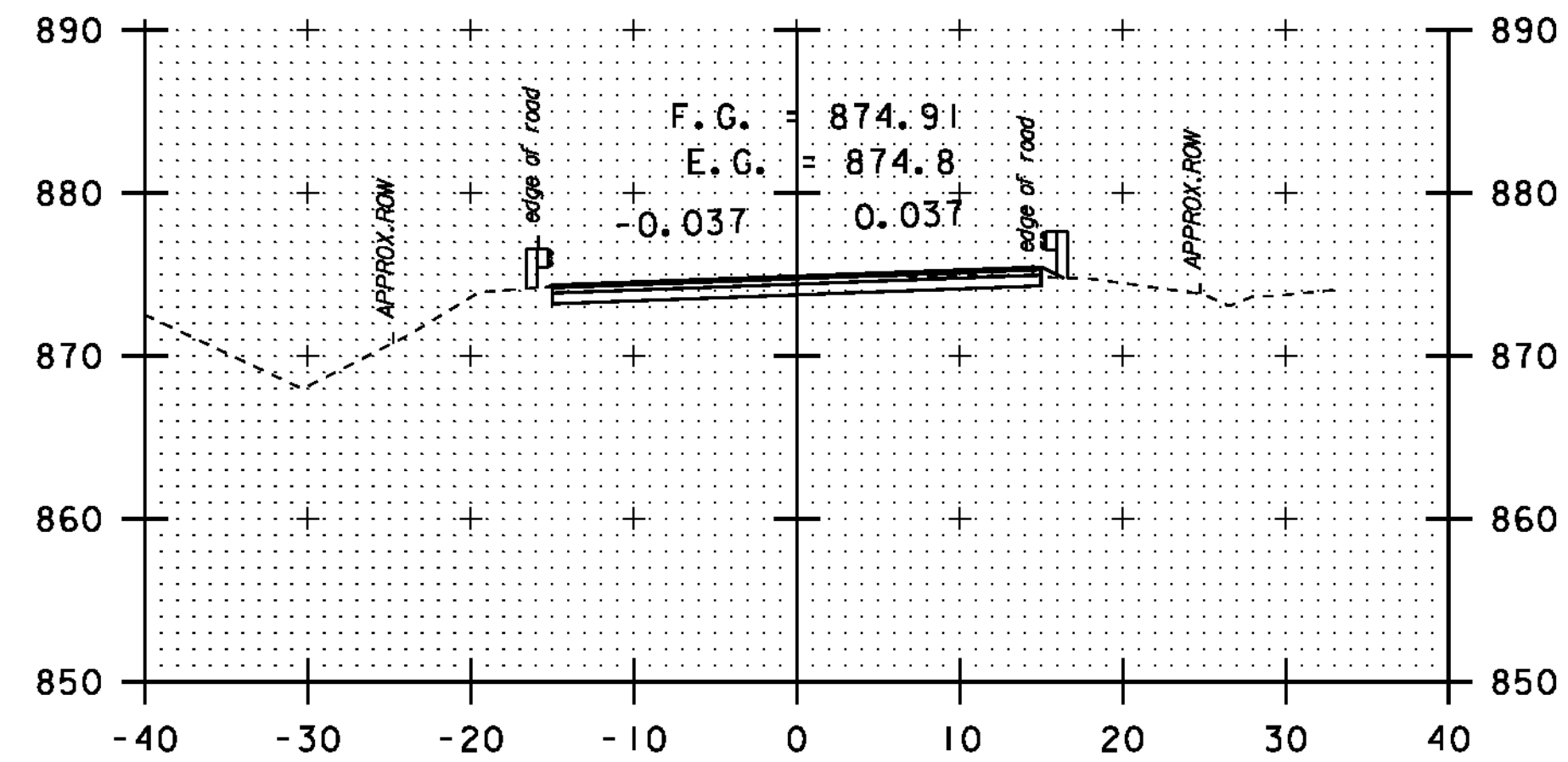


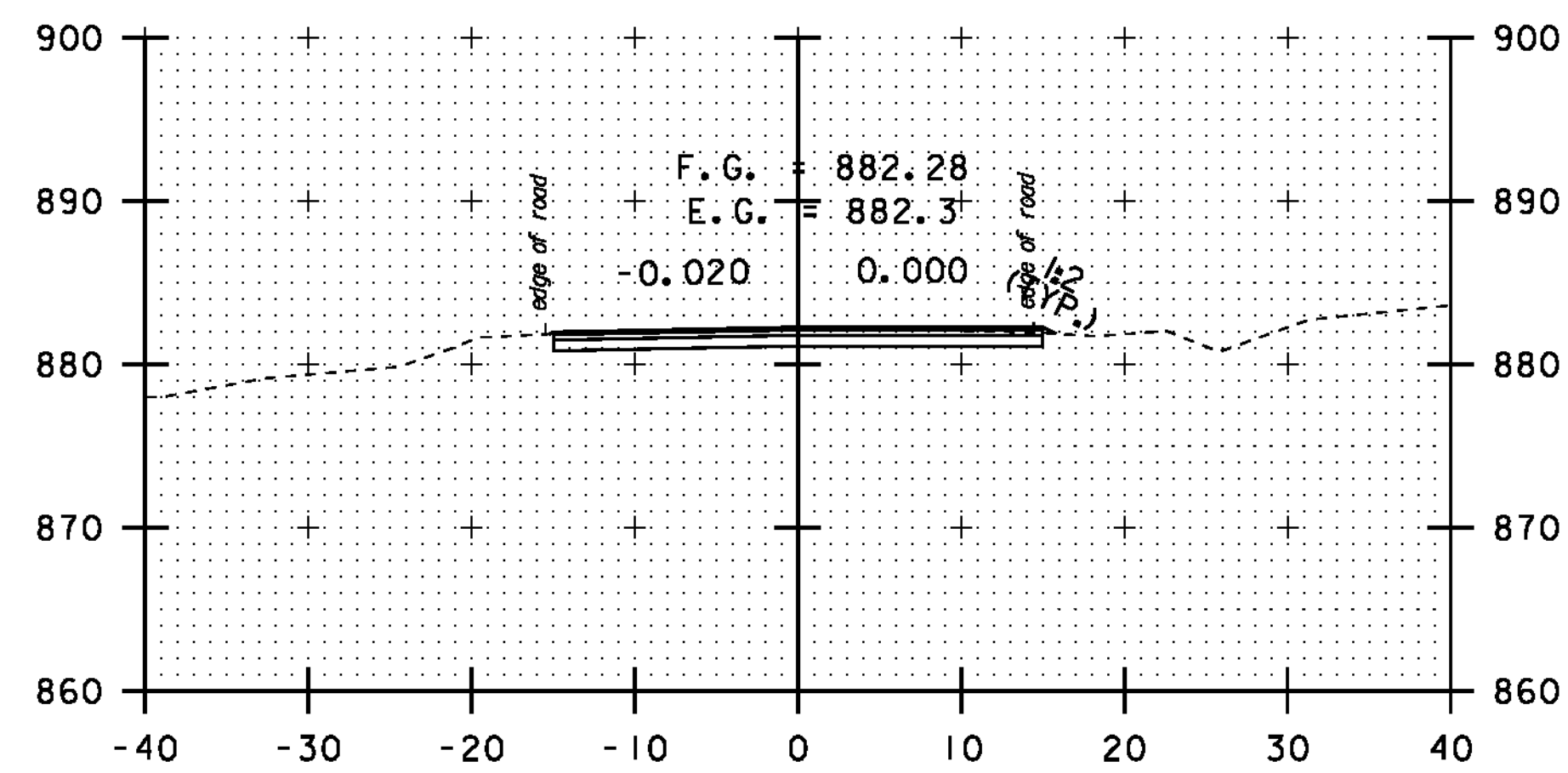
214+61



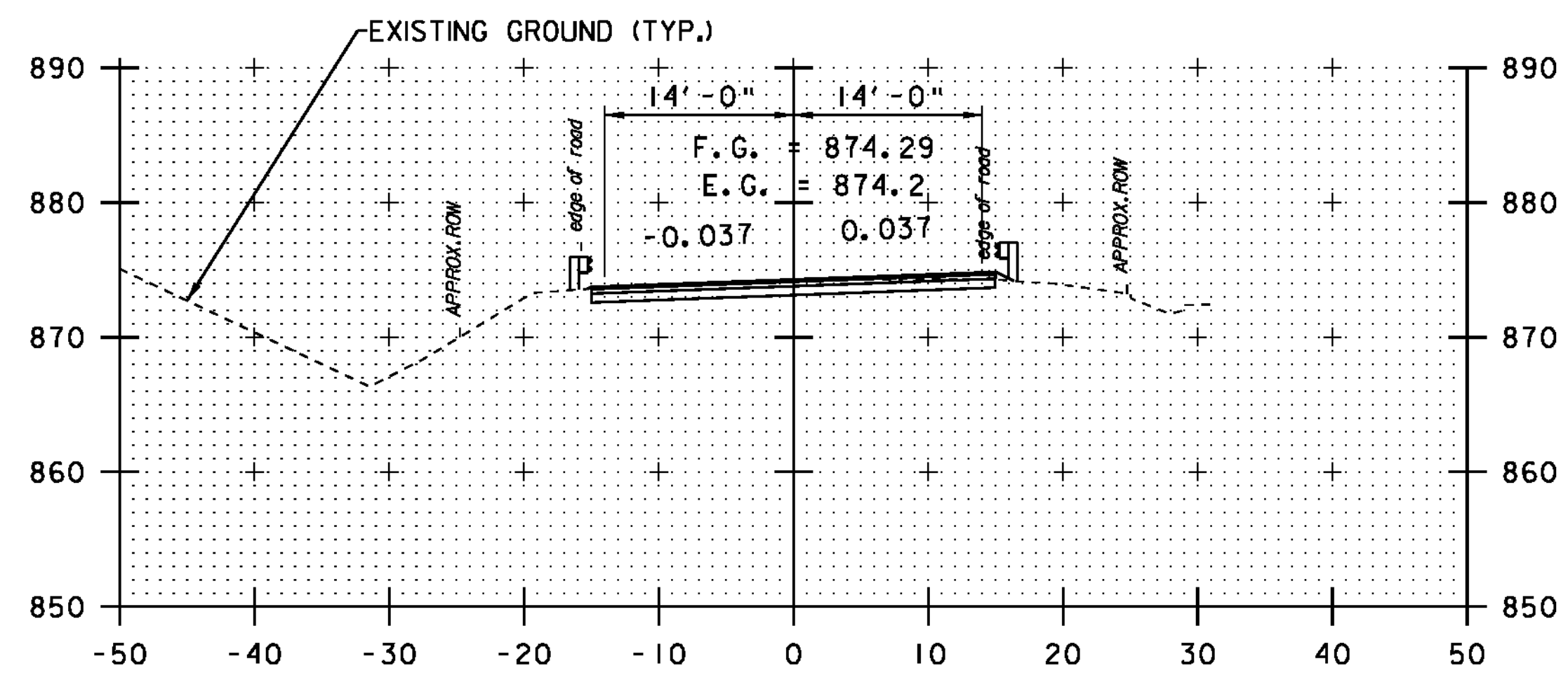
216+65



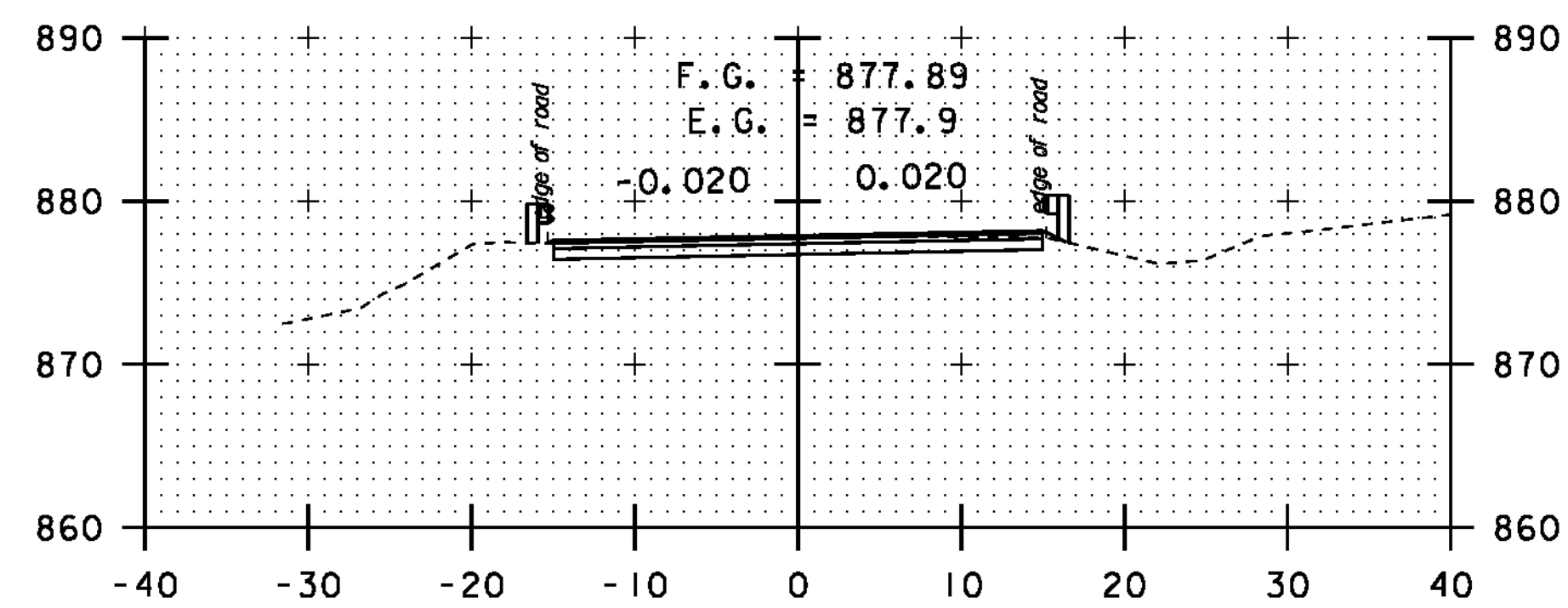
214+15



215+65



214+00



214+84

DATUM	NAVD 88
	NAD 83



STA. 214+00
-
STA. 216+65

CROSS SECTION SHEET 9

PROJECT NAME:	NEWPORT-COVENTRY-NEWPORT
PROJECT NUMBER:	STP 2802(I)
FILE NAME:	08b158.dgn
PROJECT LEADER:	CDL
DESIGNED BY:	BMB
PLOT FILE:	08b158-82.1
PLOT DATE:	8/3/2011
DRAWN BY:	BMB
CHECKED BY:	EPD
SHEET	82 OF 134