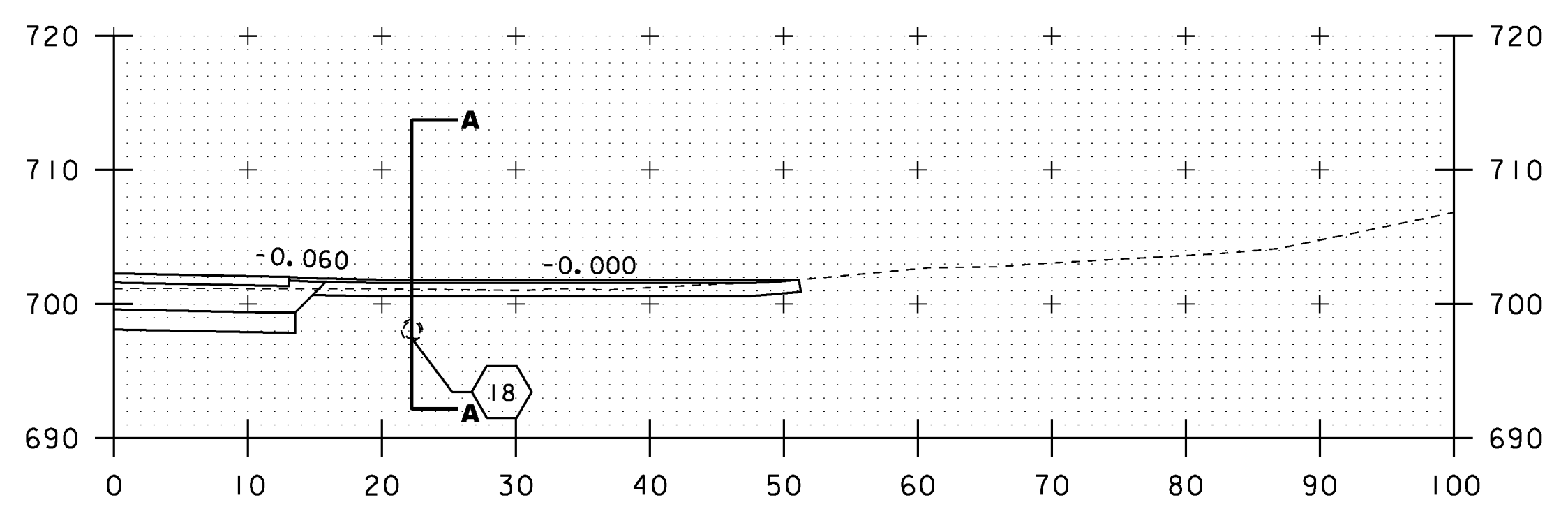
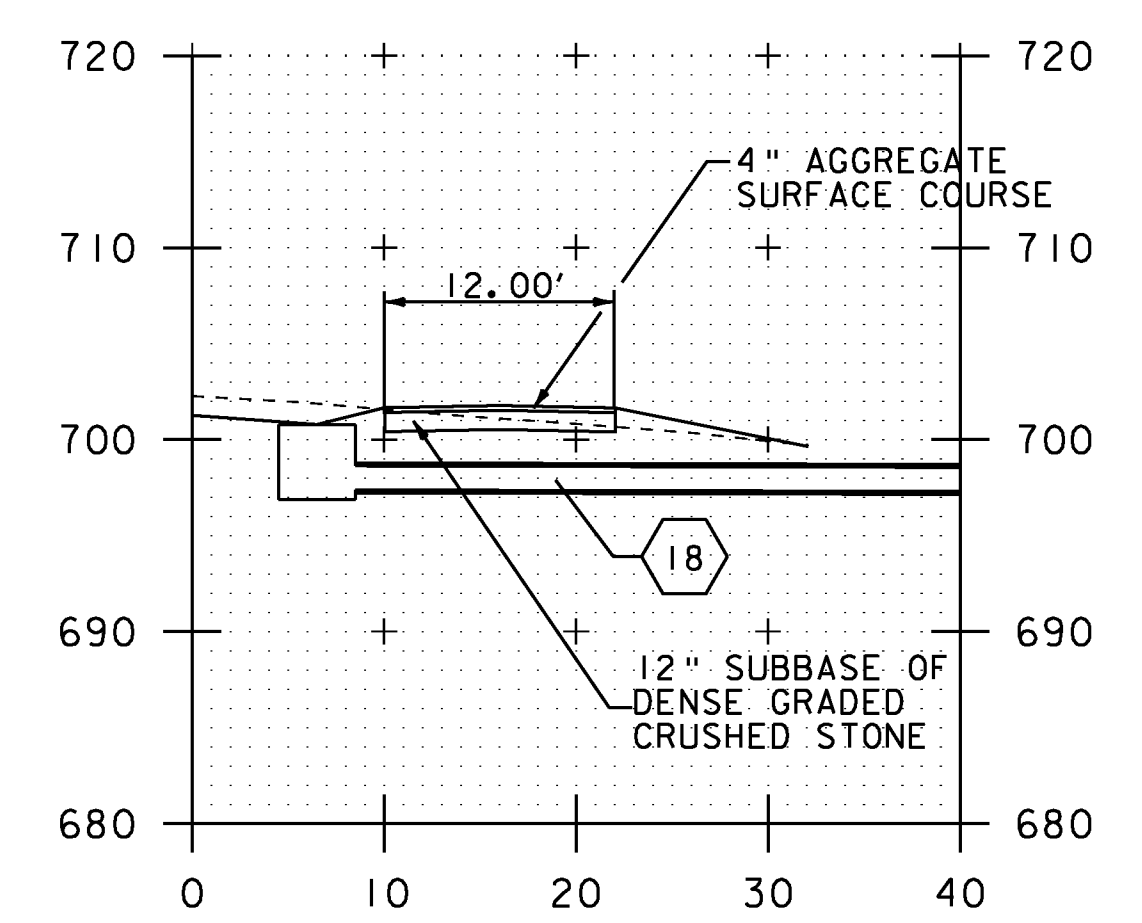


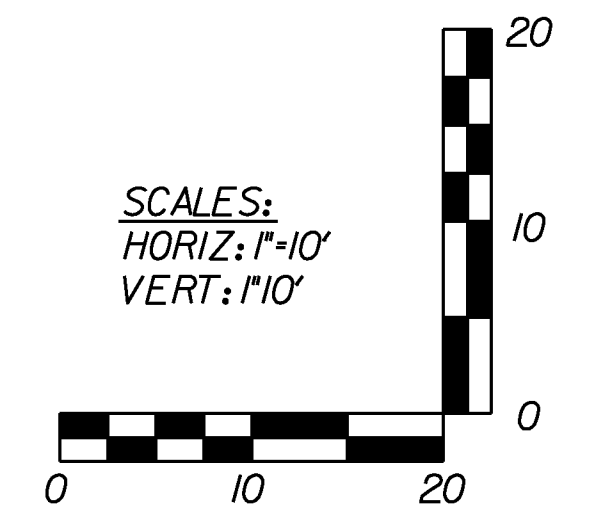
62+50



62+10



62+10 A-A



T.H. 5 CHURCH ST. STA. 62+10 TO STA. 62+50	
PROJECT NAME:	HYDE PARK
PROJECT NUMBER:	HES 030-2(23)
FILE NAME: +08b126xs.dgn	PLOT DATE: 08-DEC-2010
PROJECT LEADER: JLS	DRAWN BY: MBL
DESIGNED BY: MBL	CHECKED BY: JAD
CROSS SECTION SHEET 22	SHEET 99 OF 100