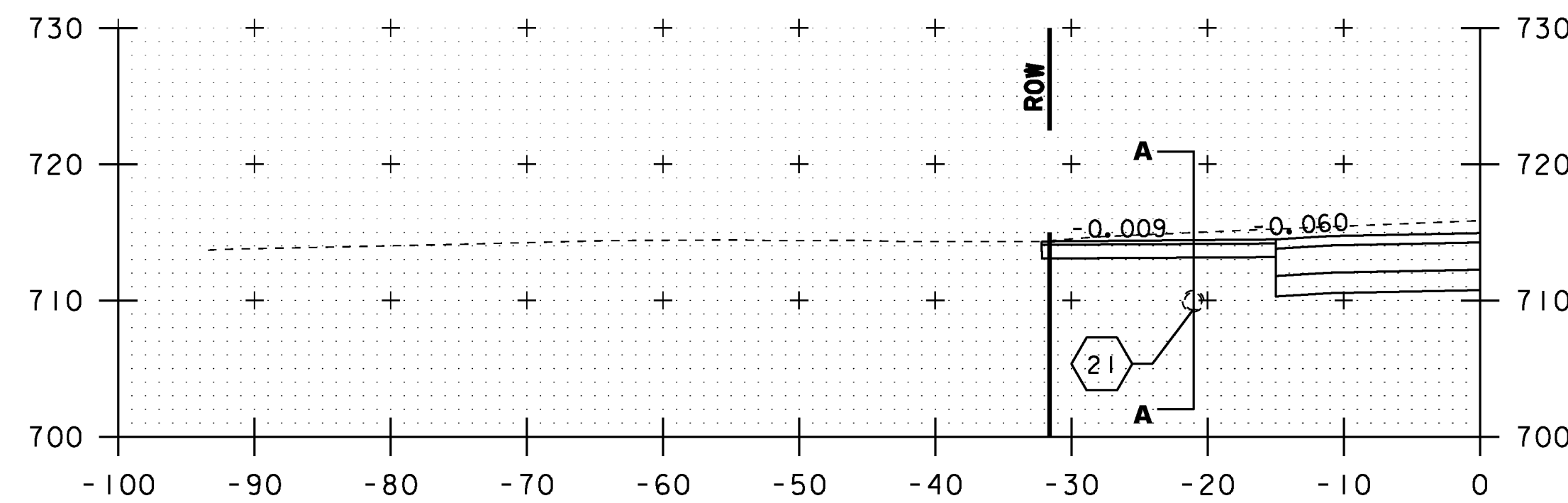
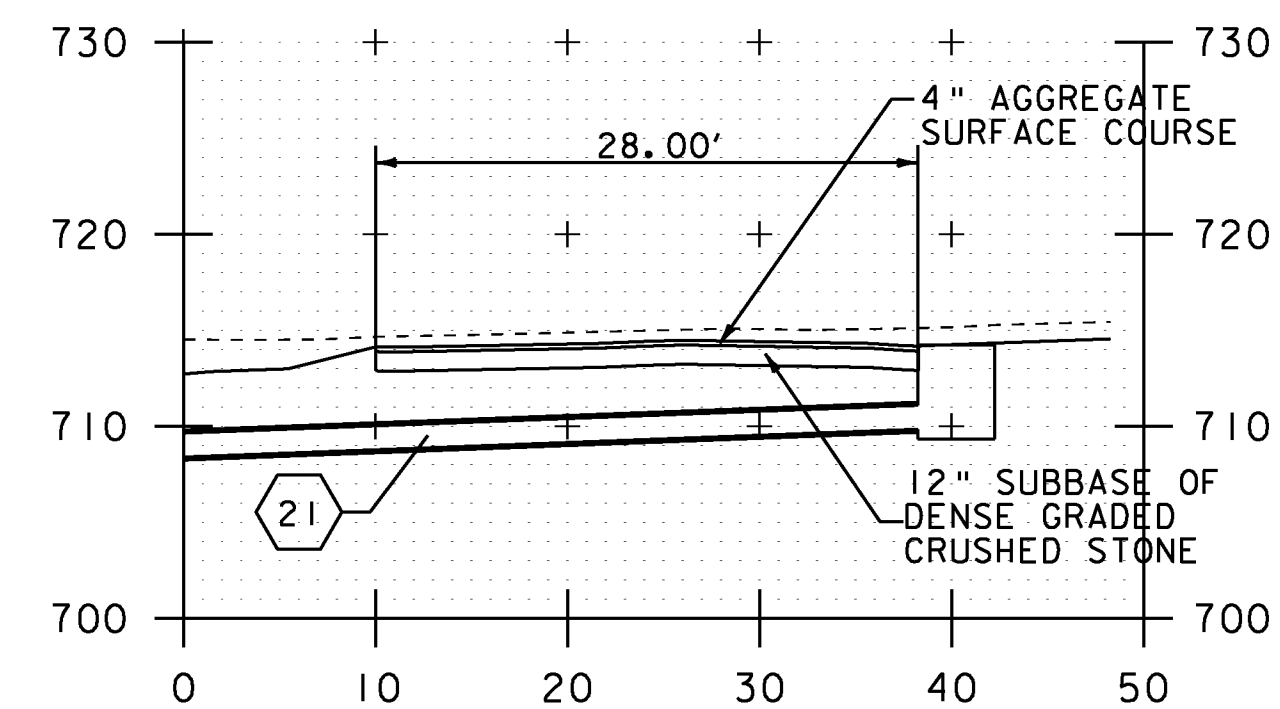


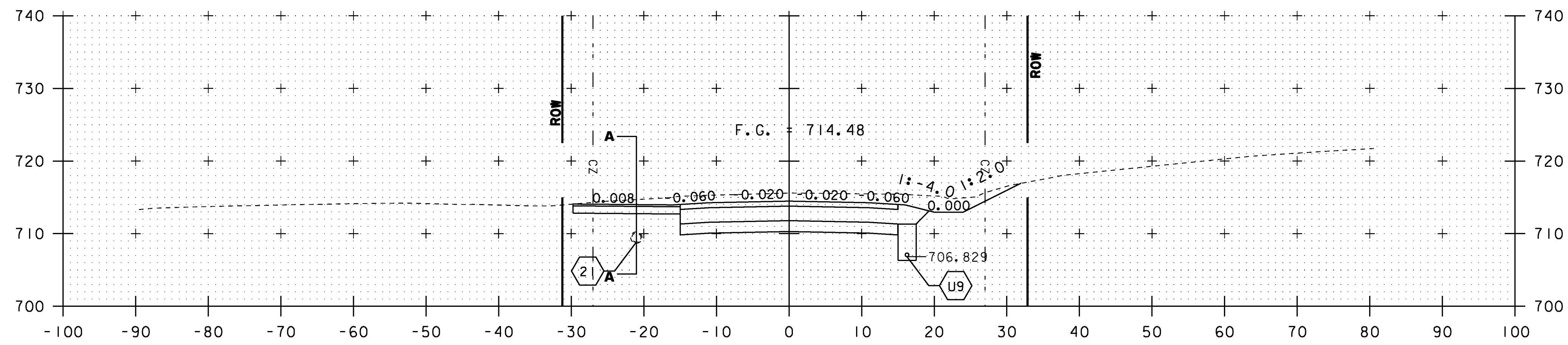
42+50



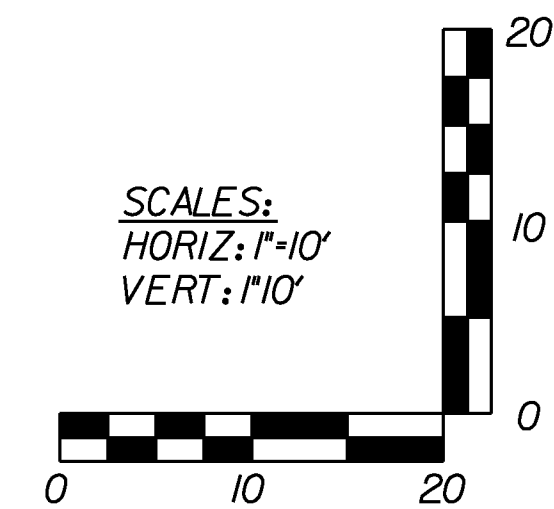
42+13



42+13 A-A



42+00



VT ROUTE 100	
STA. 42+00 TO STA. 42+50	
PROJECT NAME:	HYDE PARK
PROJECT NUMBER:	HES 030-2(23)
FILE NAME:	+08b126xs.dgn
PROJECT LEADER:	JLS
DESIGNED BY:	MBL
CROSS SECTION SHEET	17
PLOT DATE:	08-DEC-2010
DRAWN BY:	MBL
CHECKED BY:	JAD
SHEET	94 OF 100