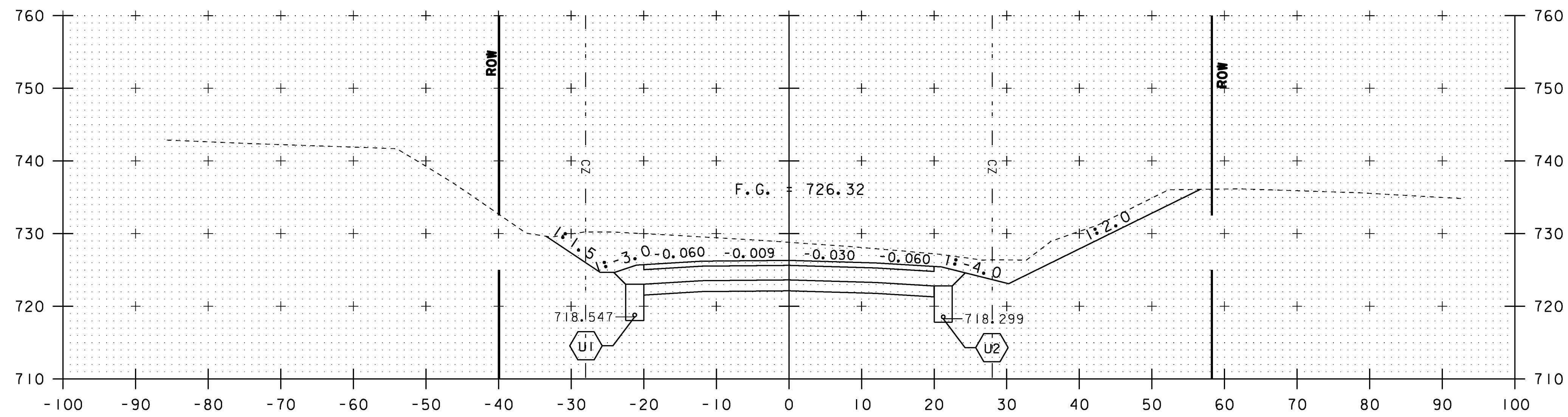
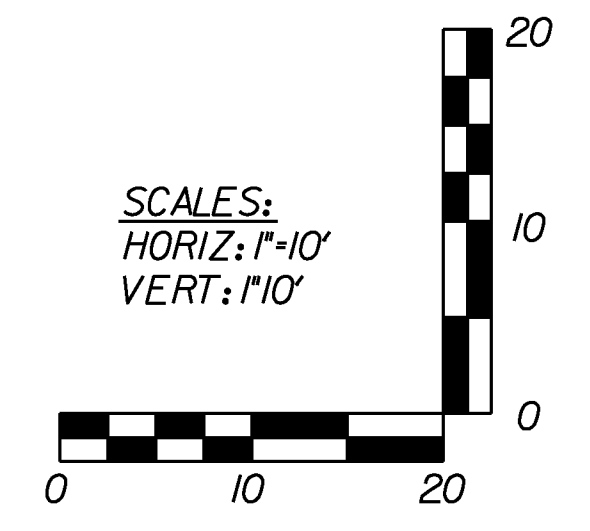


101+50



101+00



VT ROUTE 15	
STA. 101+00 TO STA. 101+50	
PROJECT NAME:	HYDE PARK
PROJECT NUMBER:	HES 030-2(23)
FILE NAME: +08b126xs.dgn	PLOT DATE: 08-DEC-2010
PROJECT LEADER: JLS	DRAWN BY: MBL
DESIGNED BY: MBL	CHECKED BY: JAD
CROSS SECTION SHEET II	SHEET 88 OF 100