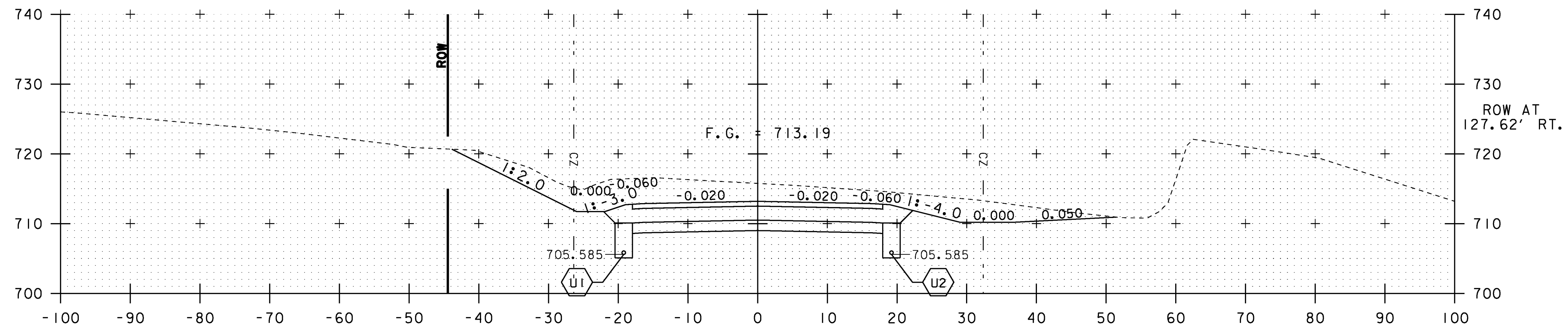
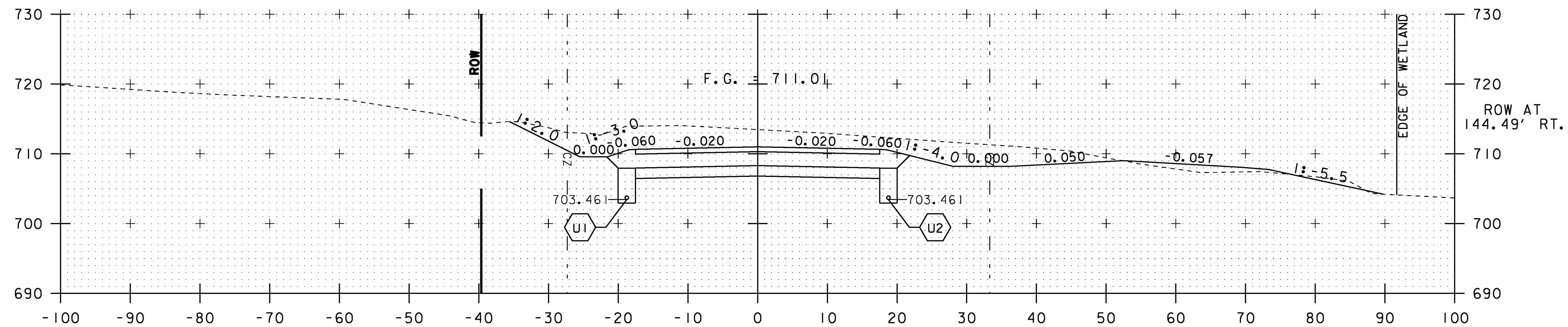


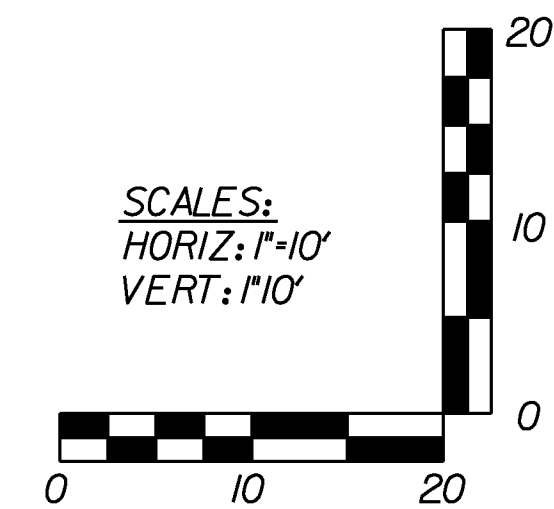
98+50



98+00



97+50



VT ROUTE 15	
STA. 97+50 TO STA. 98+50	
PROJECT NAME:	HYDE PARK
PROJECT NUMBER:	HES 030-2(23)
FILE NAME: +08b126xs.dgn	PLOT DATE: 08-DEC-2010
PROJECT LEADER: JLS	DRAWN BY: MBL
DESIGNED BY: MBL	CHECKED BY: JAD
CROSS SECTION SHEET 8	SHEET 85 OF 100