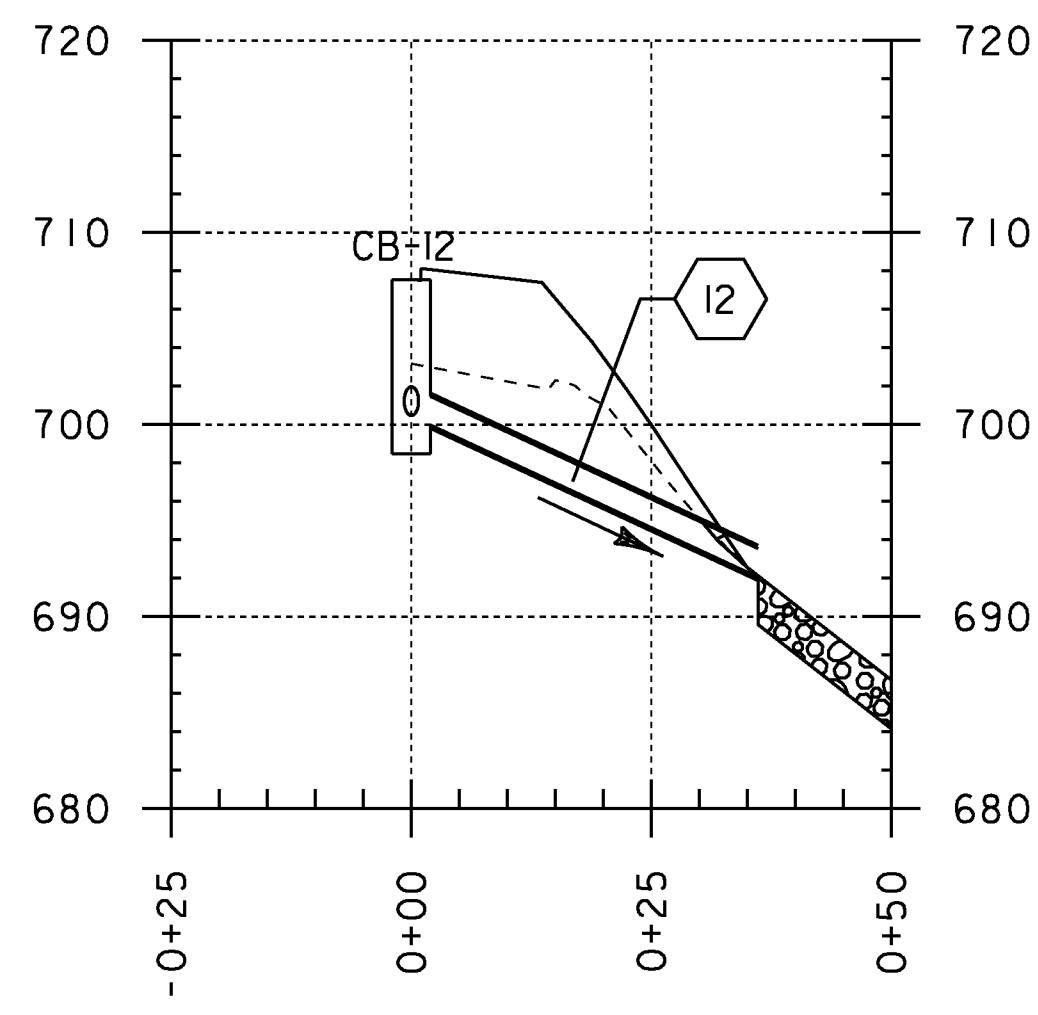
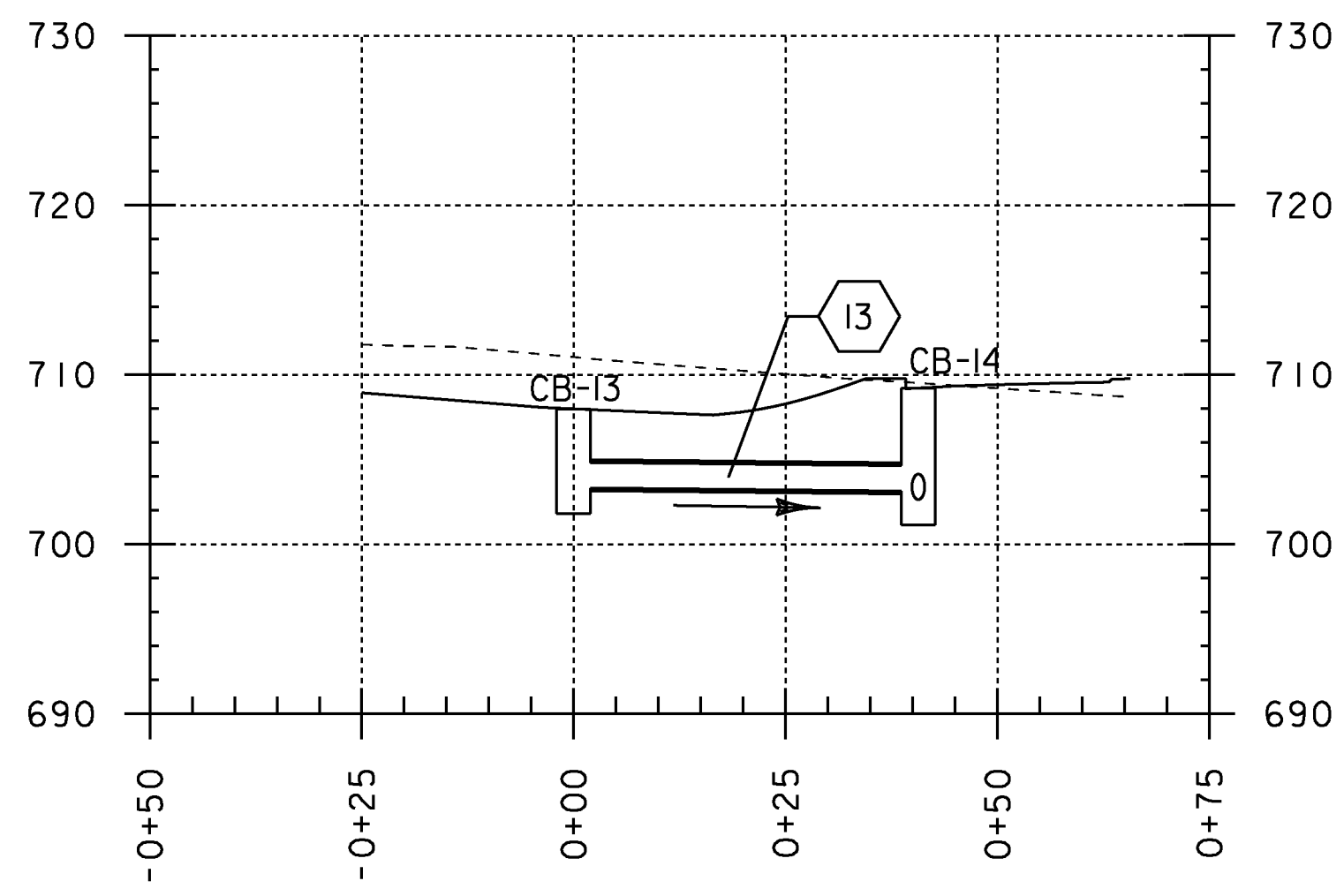


# P12



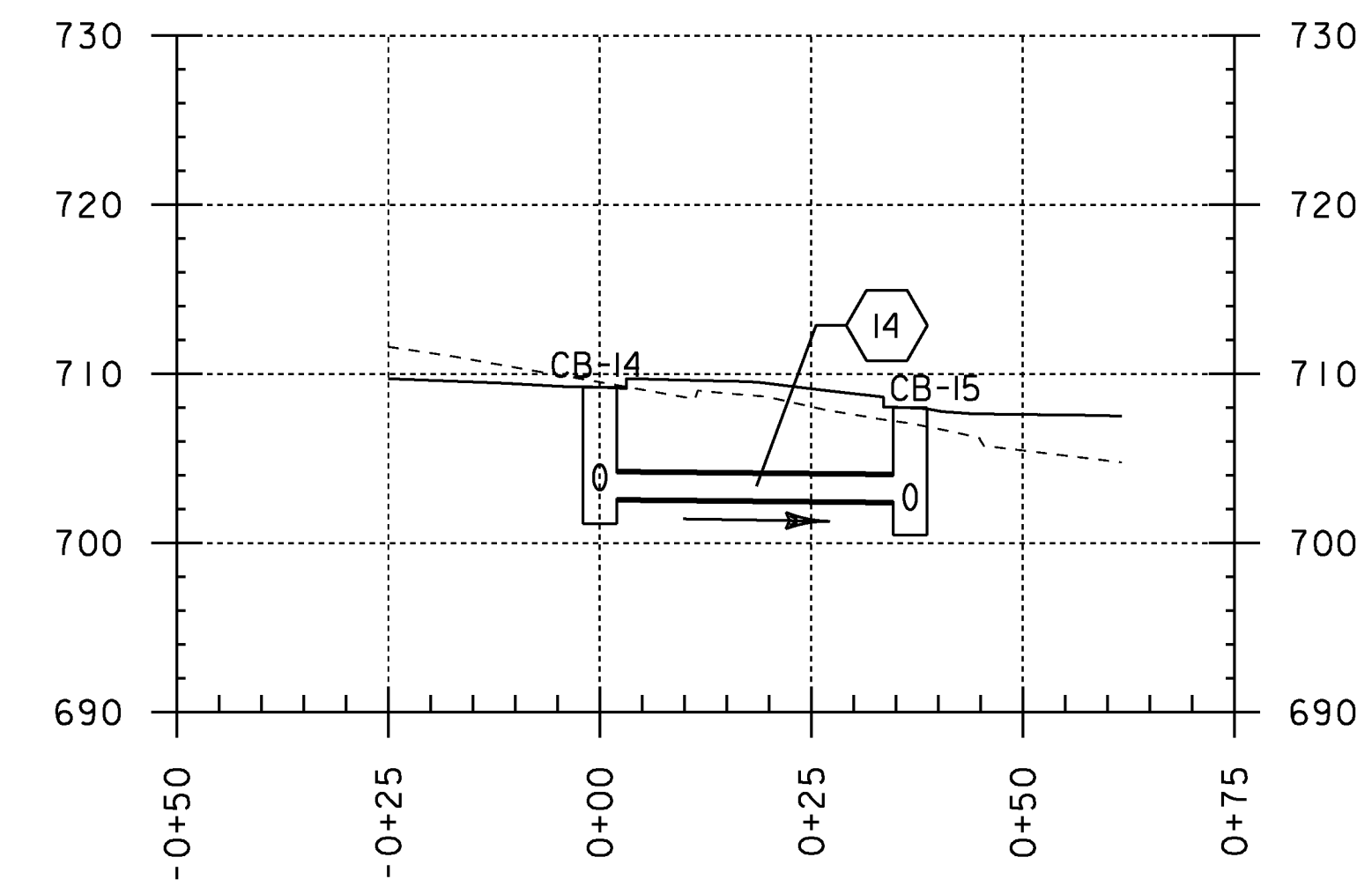
**12**  
**CB-12**  
 SLOPE = 23.22%  
 NEW PIPE  
 TYPE: CPEP  
 LENGTH = 37.06'  
 DIAMETER = 18.00"  
 INV. IN = 699.97'  
 INV. OUT = 692.05'  
 GRATE: TYPE D  
 RIM EL = 707.55'  
 DEPTH = 9.08'

# P13



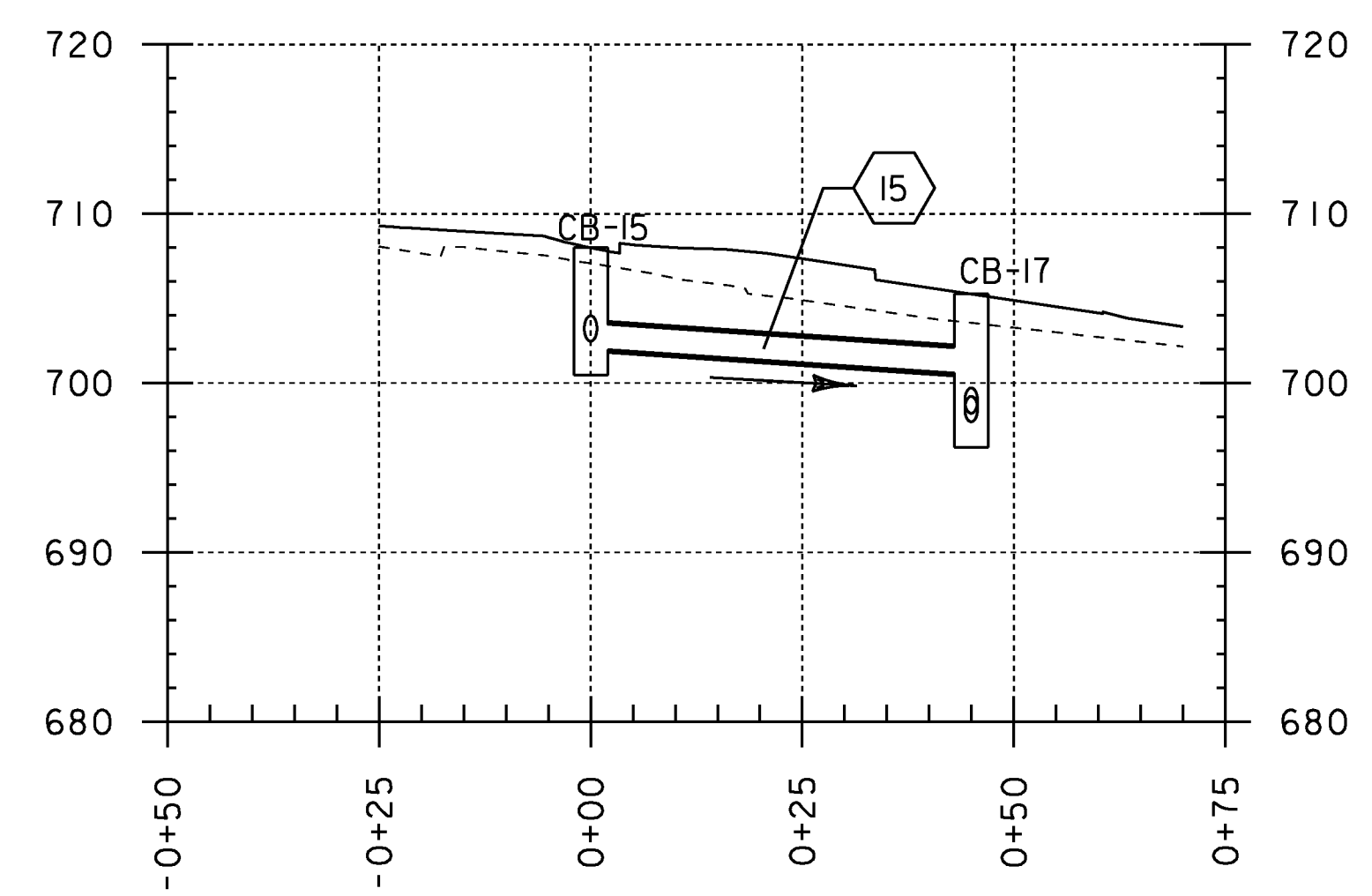
**13**  
**CB-13**  
 SLOPE = 0.50%  
 NEW PIPE  
 TYPE: OPTION PIPE  
 LENGTH = 40.65'  
 DIAMETER = 18.00"  
 INV. IN = 703.32'  
 INV. OUT = 703.14'  
 GRATE: TYPE A  
 RIM EL = 707.99'  
 DEPTH = 6.17'

# P14



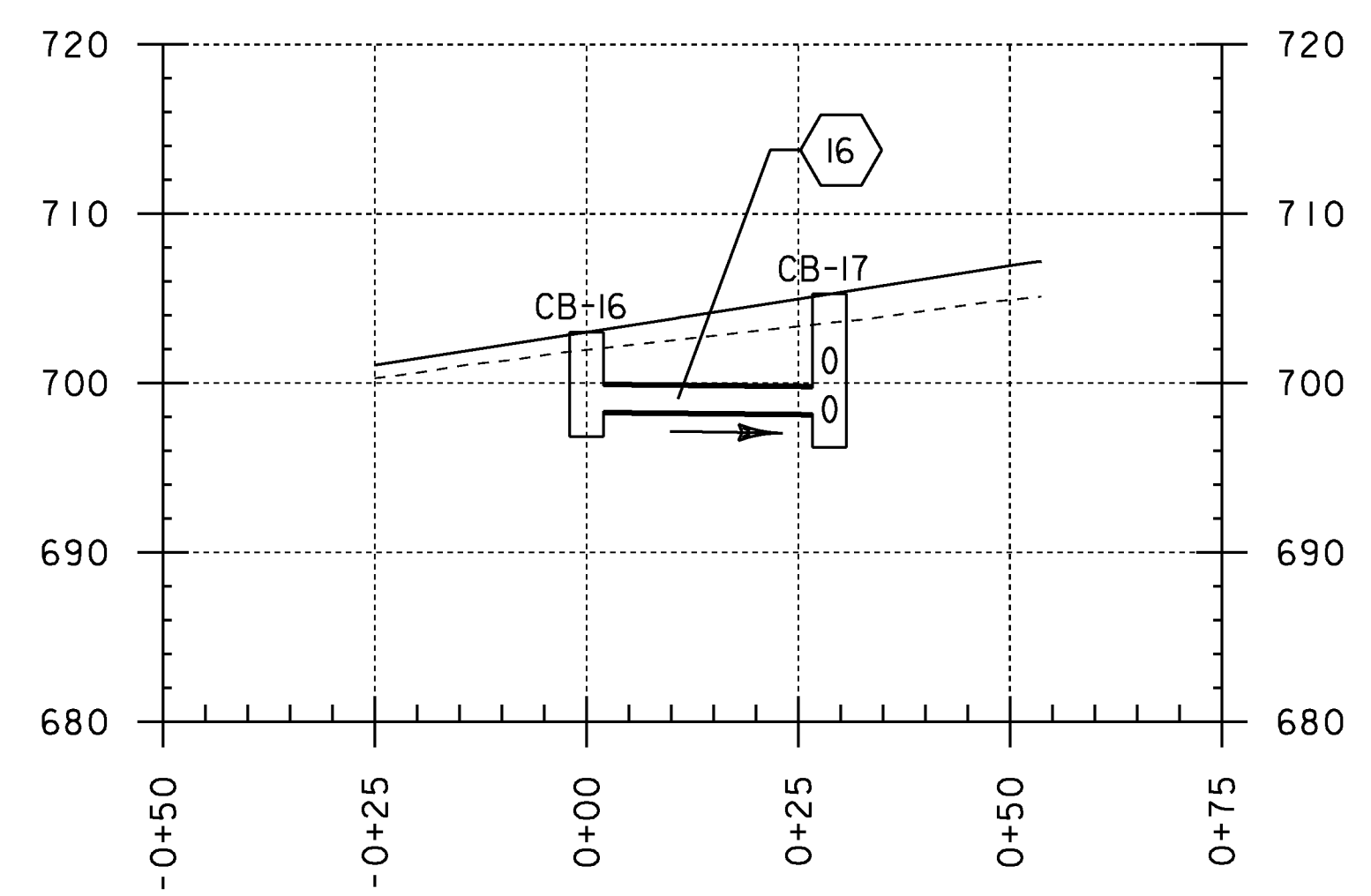
**14**  
**CB-14**  
 SLOPE = 0.50%  
 NEW PIPE  
 TYPE: OPTION PIPE  
 LENGTH = 36.71'  
 DIAMETER = 18.00"  
 INV. IN = 702.64'  
 INV. OUT = 702.48'  
 GRATE: TYPE D  
 RIM EL = 709.22'  
 DEPTH = 8.08'

# P15



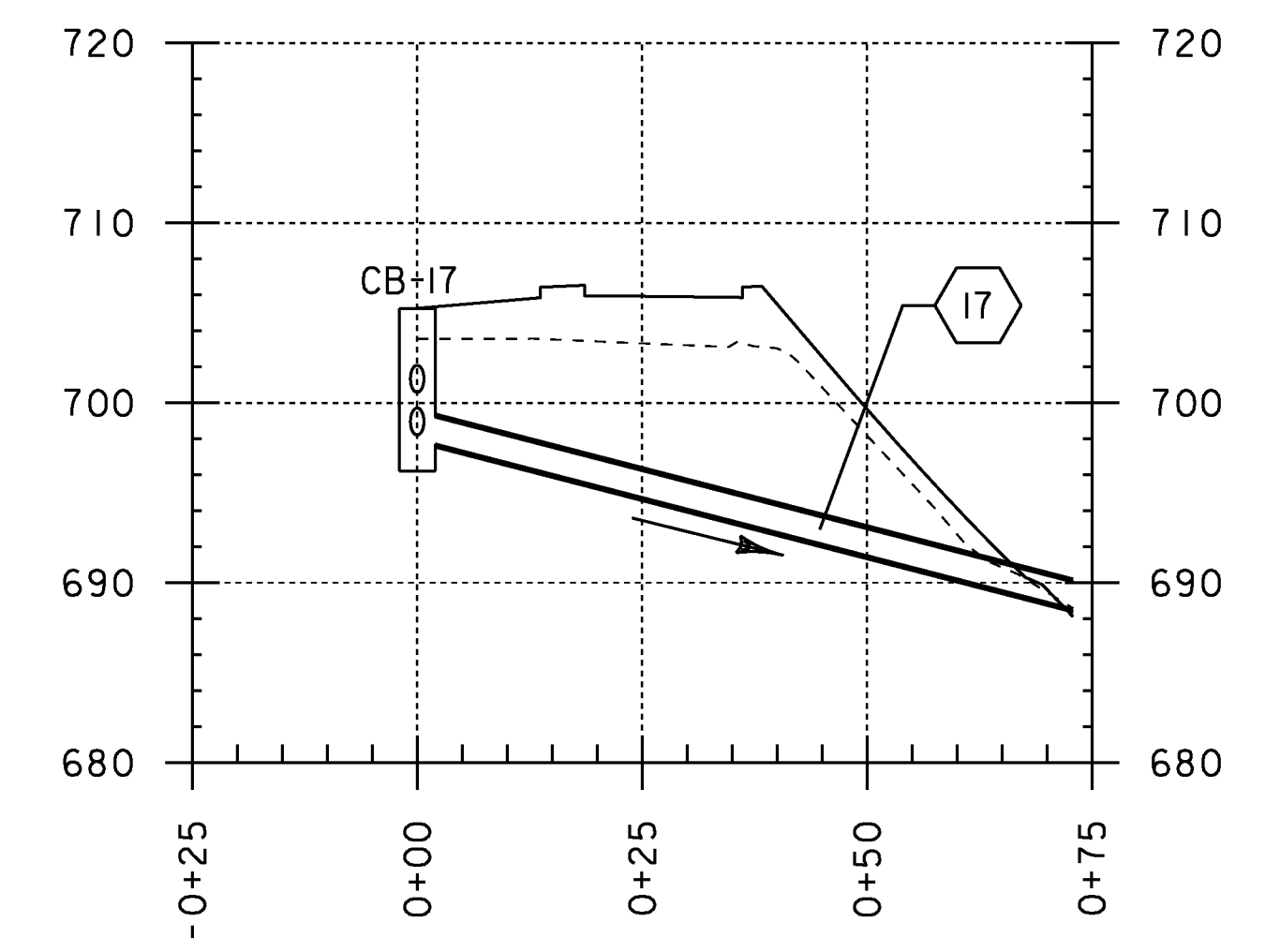
**15**  
**CB-15**  
 SLOPE = 3.38%  
 NEW PIPE  
 TYPE: OPTION PIPE  
 LENGTH = 44.98'  
 DIAMETER = 18.00"  
 INV. IN = 701.98'  
 INV. OUT = 700.59'  
 GRATE: TYPE D  
 RIM EL = 708.00'  
 DEPTH = 7.52'

# P16

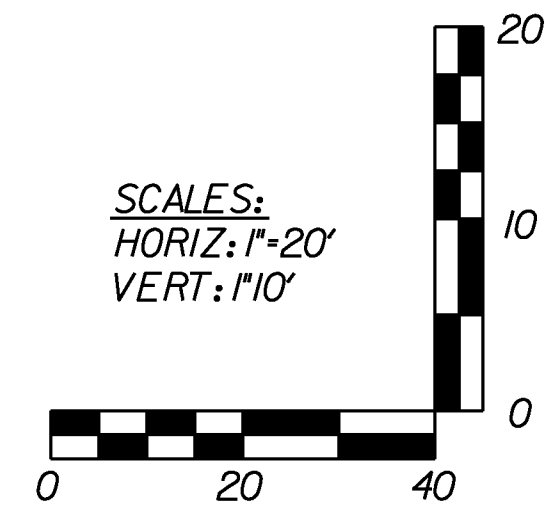


**16**  
**CB-16**  
 SLOPE = 0.50%  
 NEW PIPE  
 TYPE: OPTION PIPE  
 LENGTH = 28.71'  
 DIAMETER = 18.00"  
 INV. IN = 698.34'  
 INV. OUT = 698.22'  
 GRATE: TYPE D  
 RIM EL = 703.01'  
 DEPTH = 6.17'

# P17



**17**  
**CB-17**  
 SLOPE = 12.93%  
 NEW PIPE  
 TYPE: OPTION PIPE  
 LENGTH = 73.51'  
 DIAMETER = 18.00"  
 INV. IN = 697.72'  
 INV. OUT = 688.55'  
 GRATE: TYPE D  
 RIM EL = 705.26'  
 DEPTH = 9.04'



PROJECT NAME:	HYDE PARK
PROJECT NUMBER:	HES 030-2(23)
FILE NAME: +08b126pro-drn.dgn	PLOT DATE: 08-DEC-2010
PROJECT LEADER: JLS	DRAWN BY: MBL
DESIGNED BY: MBL	CHECKED BY: JAD
DRAINAGE PROFILE 3	SHEET 33 OF 100