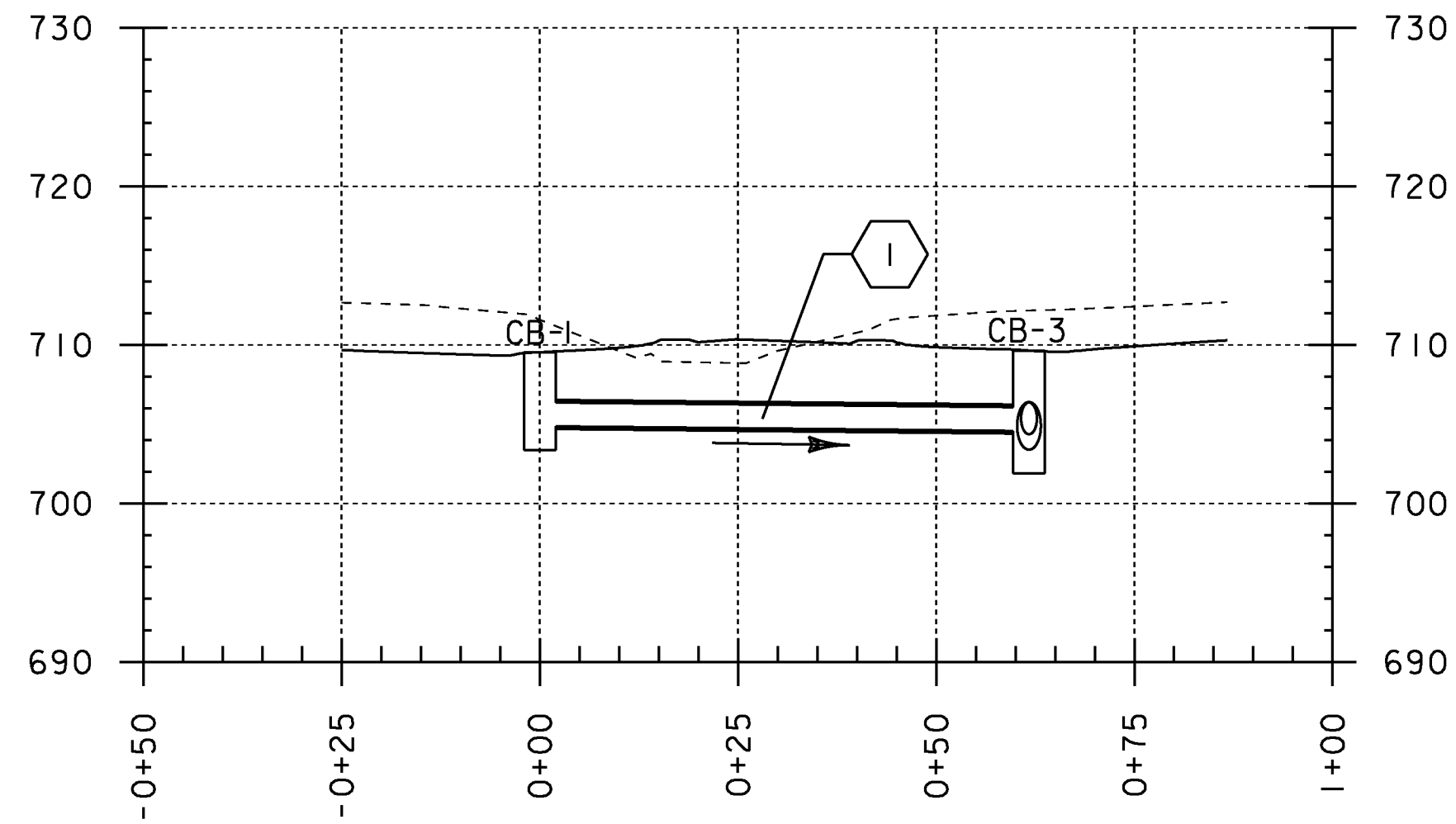
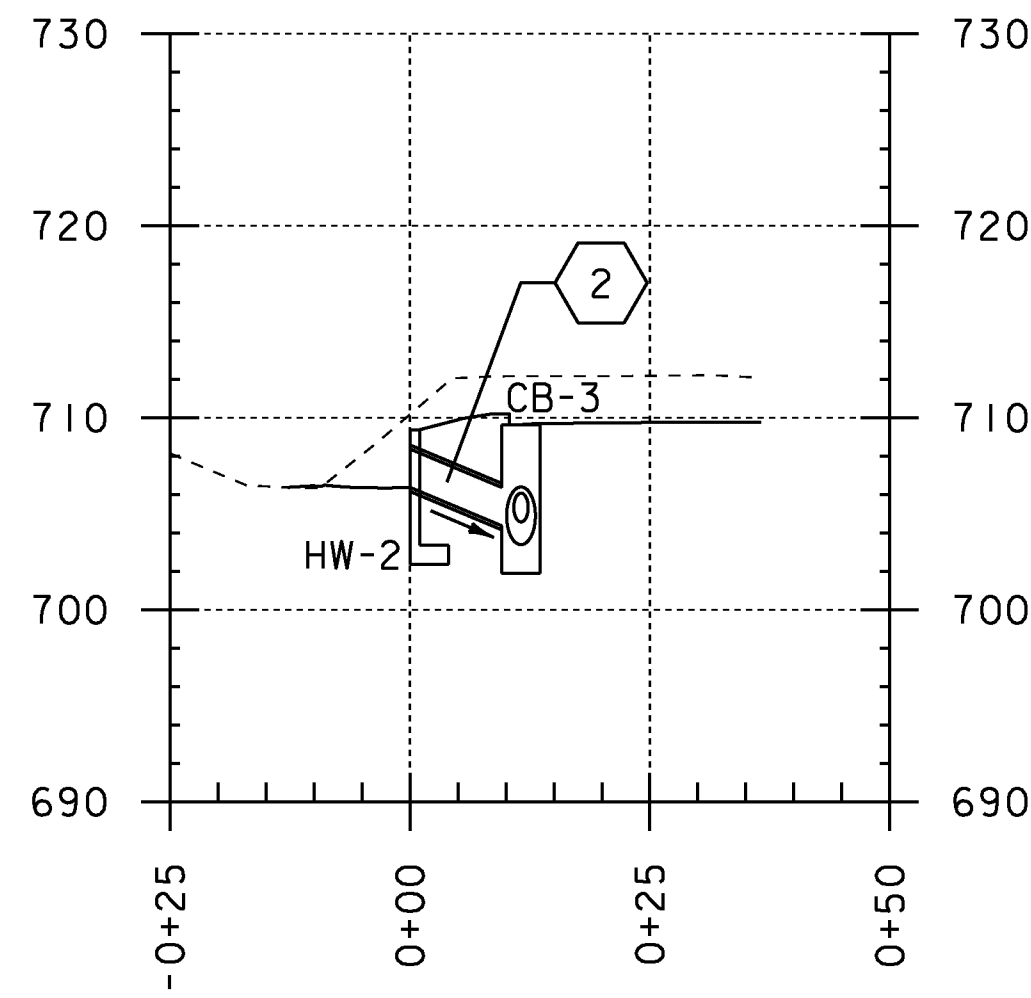


P1



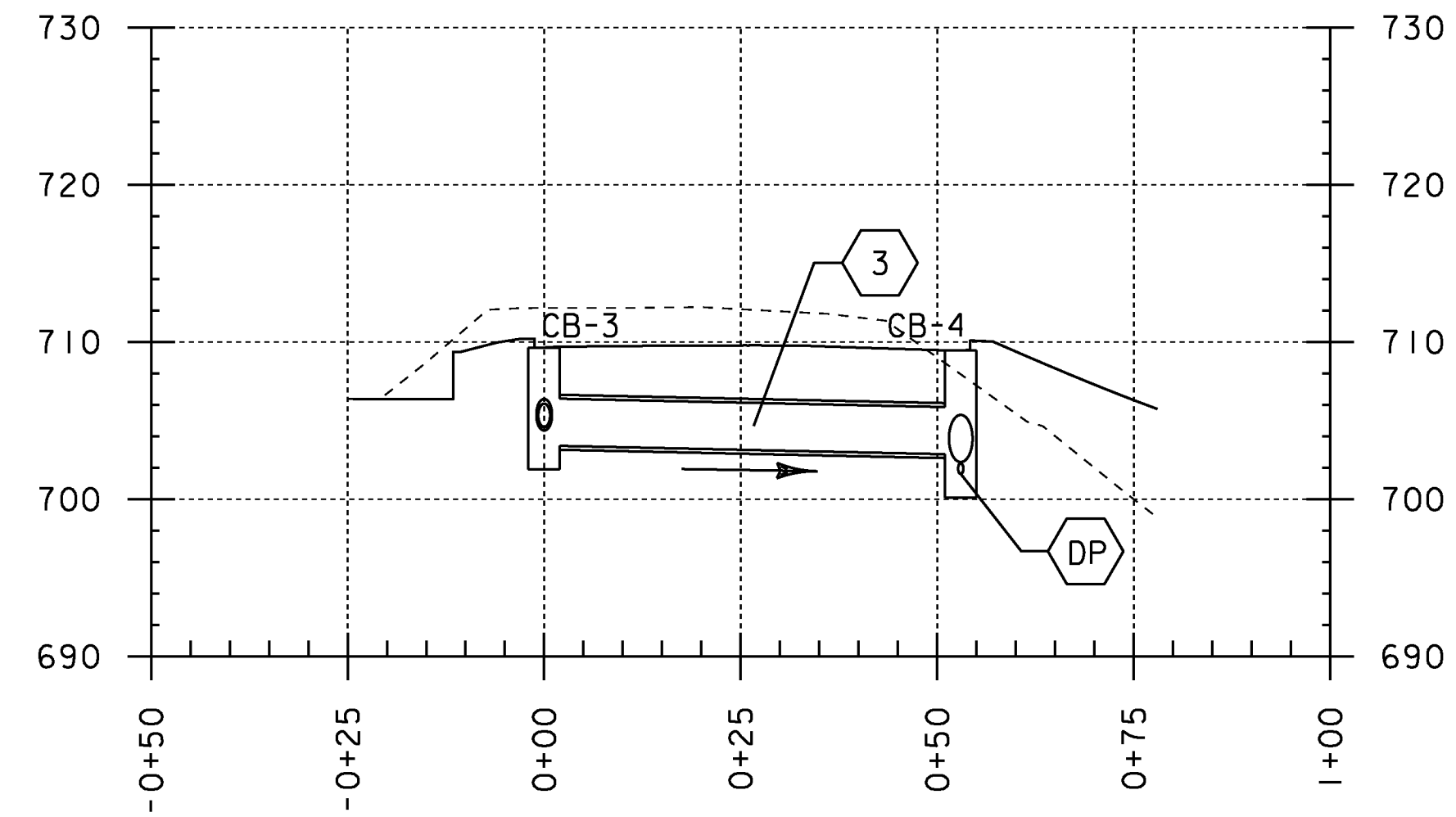
1
 SLOPE = 0.50%
 NEW PIPE
 TYPE: OPTION PIPE
 LENGTH = 61.71'
 DIAMETER = 18.00"
 INV. IN = 704.86'
 INV. OUT = 704.57'
 CB-1
 GRATE: TYPE D
 RIM EL = 709.53'
 DEPTH = 6.17'

P2



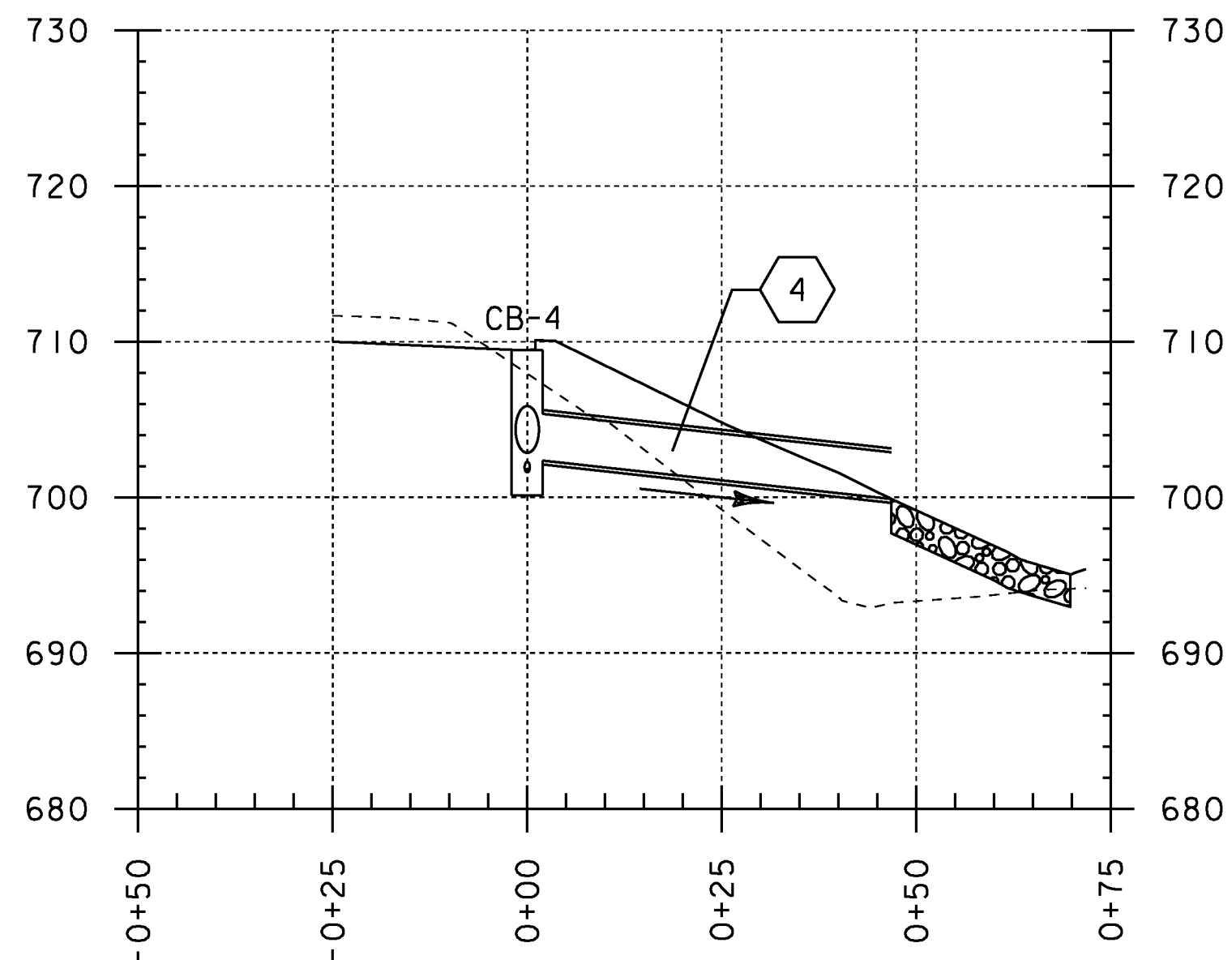
2
 SLOPE = 20.93%
 NEW PIPE
 TYPE: OPTION PIPE
 LENGTH = 11.83'
 DIAMETER = 24.00"
 INV. IN = 706.37'
 INV. OUT = 704.37'
 CB-3

P3



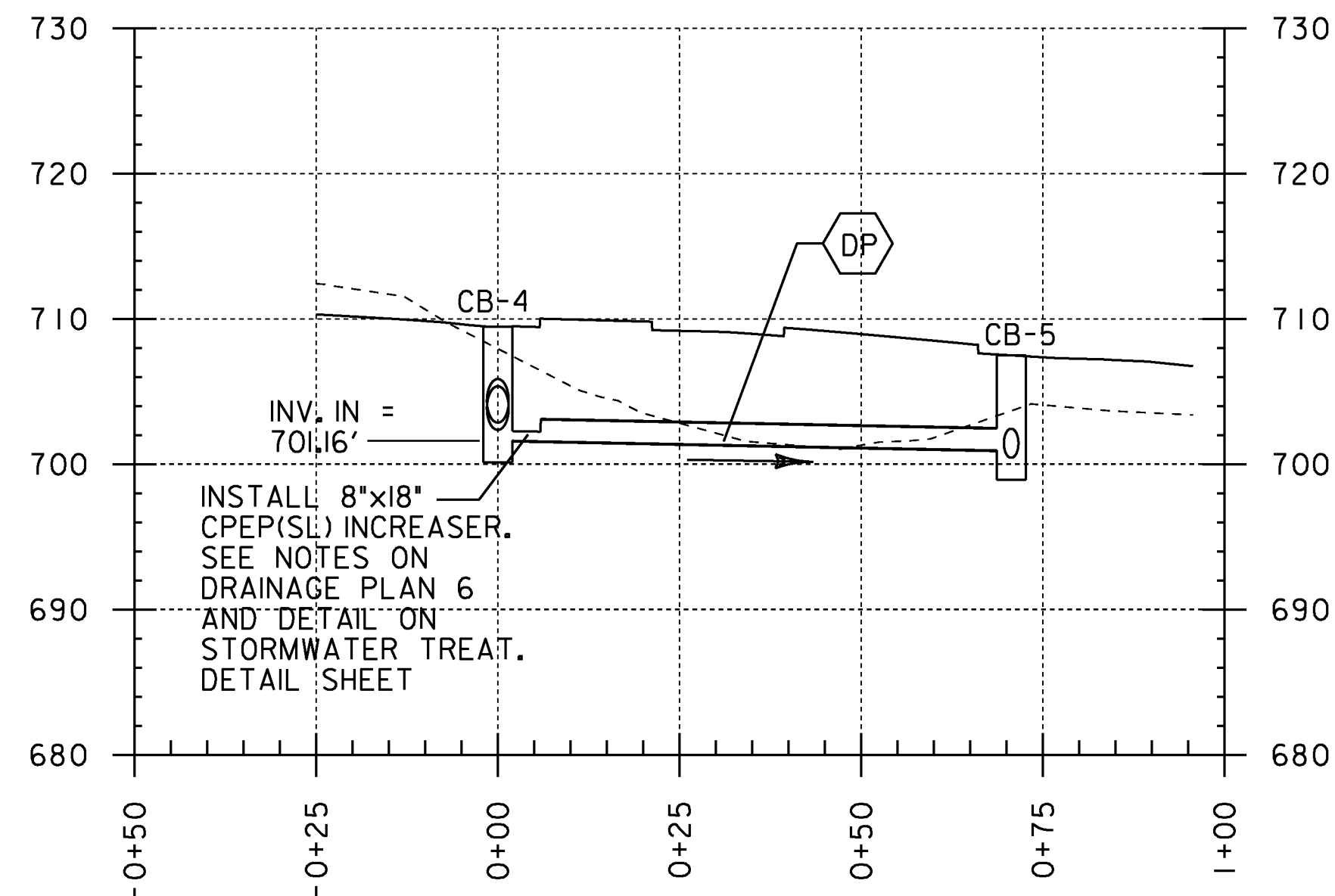
3
 SLOPE = 1.08%
 NEW PIPE
 TYPE: OPTION PIPE
 LENGTH = 52.99'
 DIAMETER = 36.00"
 INV. IN = 703.39'
 INV. OUT = 702.86'
 CB-3
 GRATE: TYPE D
 RIM EL = 709.64'
 DEPTH = 7.75'

P4



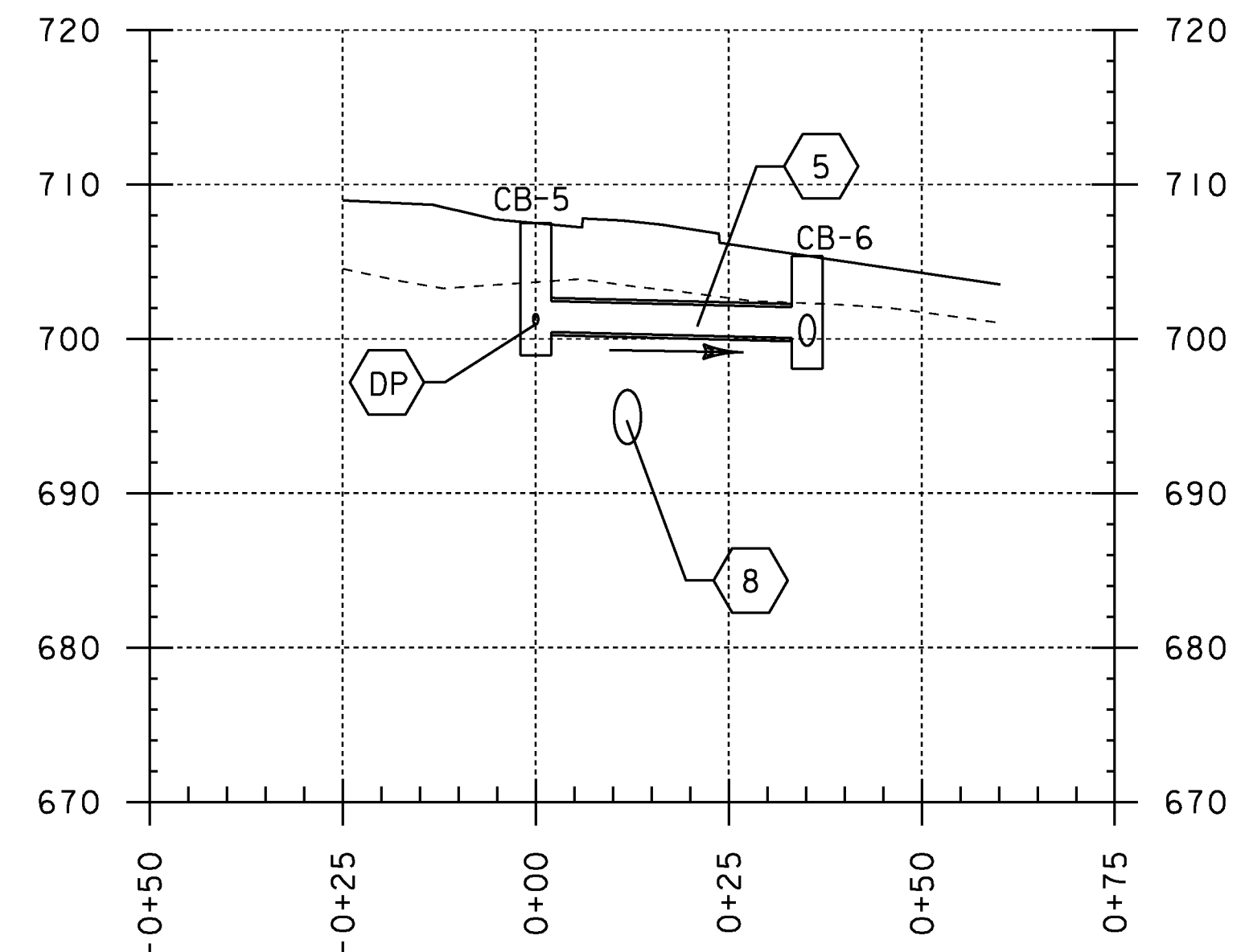
4
 SLOPE = 5.51%
 NEW PIPE
 TYPE: CPEP
 LENGTH = 46.86'
 DIAMETER = 36.00"
 INV. IN = 702.36'
 INV. OUT = 699.89'
 CB-4
 GRATE: TYPE D
 RIM EL = 709.45'
 DEPTH = 9.34'

DP

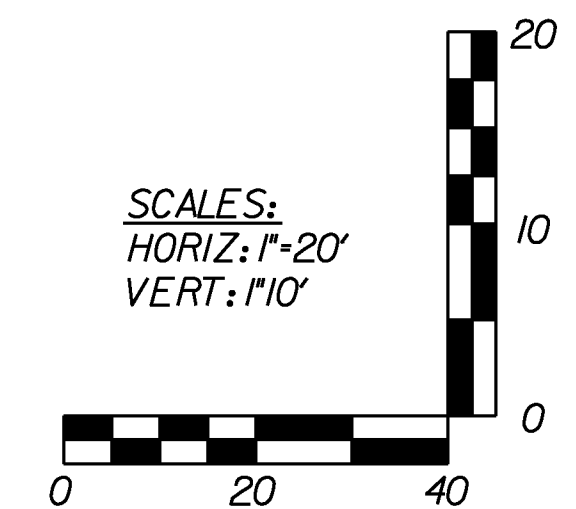


DP
 SLOPE = 1.00%
 NEW PIPE
 TYPE: CPEP
 LENGTH = 70.66'
 DIAMETER = 18.00"
 INV. IN = 701.61'
 INV. OUT = 700.94'
 INSTALL 8"x18" INCREASER AT INLET
 INV. IN = 701.61'
 INSTALL 8"x18" INCREASER.
 SEE NOTES ON
 DRAINAGE PLAN 6
 AND DETAIL ON
 STORMWATER TREAT.
 DETAIL SHEET

P5



5
 SLOPE = 1.25%
 NEW PIPE
 TYPE: OPTION PIPE
 LENGTH = 35.16'
 DIAMETER = 24.00"
 INV. IN = 700.44'
 INV. OUT = 700.05'
 CB-5
 GRATE: TYPE D
 RIM EL = 707.49'
 DEPTH = 8.55'



PROJECT NAME: HYDE PARK
 PROJECT NUMBER: HES 030-2(23)

FILE NAME: t08b126pro-drn.dgn
 PROJECT LEADER: JLS
 DESIGNED BY: MBL
 DRAINAGE PROFILE 1

PLOT DATE: 08-DEC-2010
 DRAWN BY: MBL
 CHECKED BY: JAD
 SHEET 31 OF 100