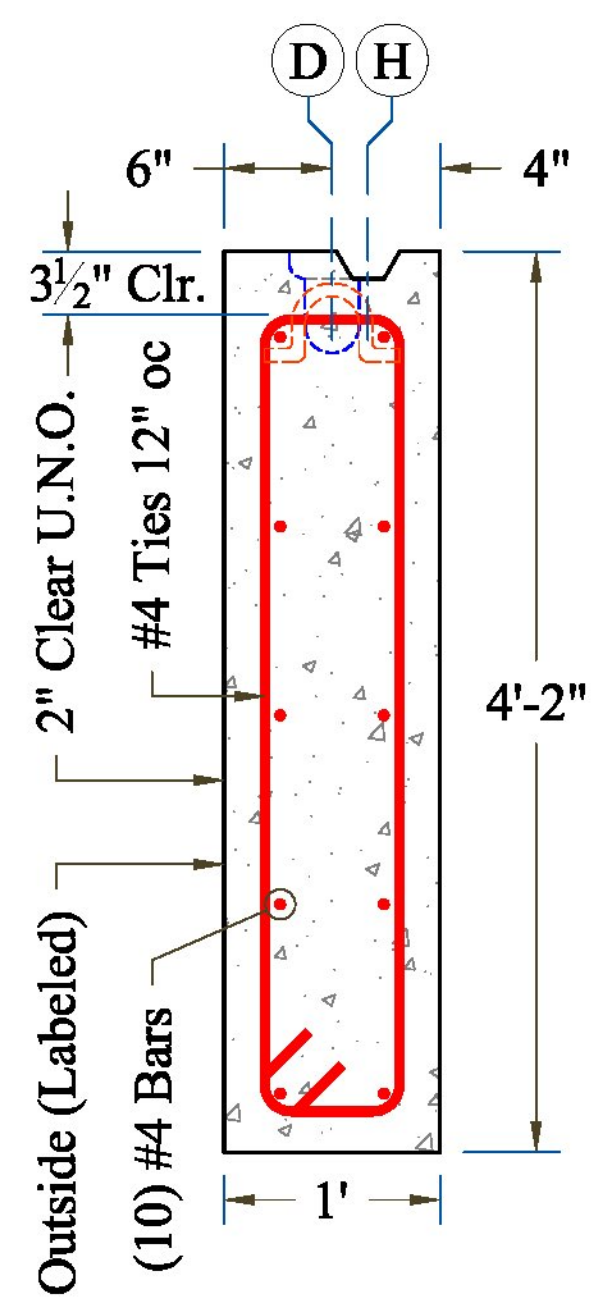
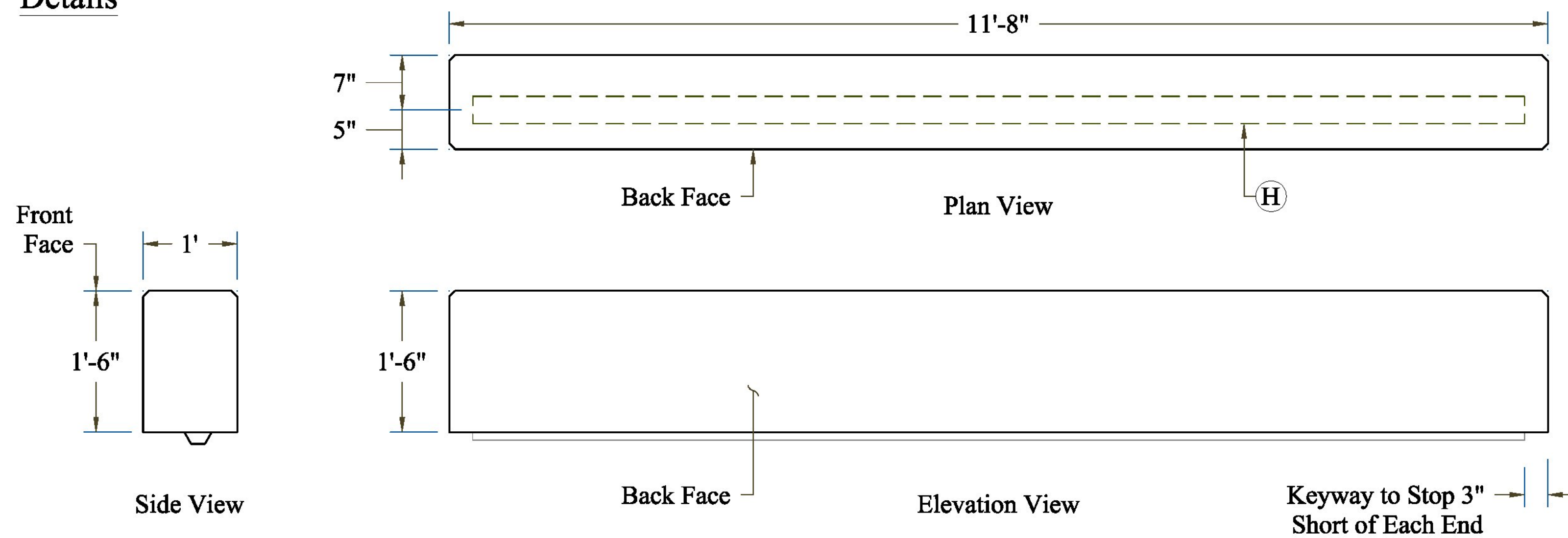


CW Stirrup

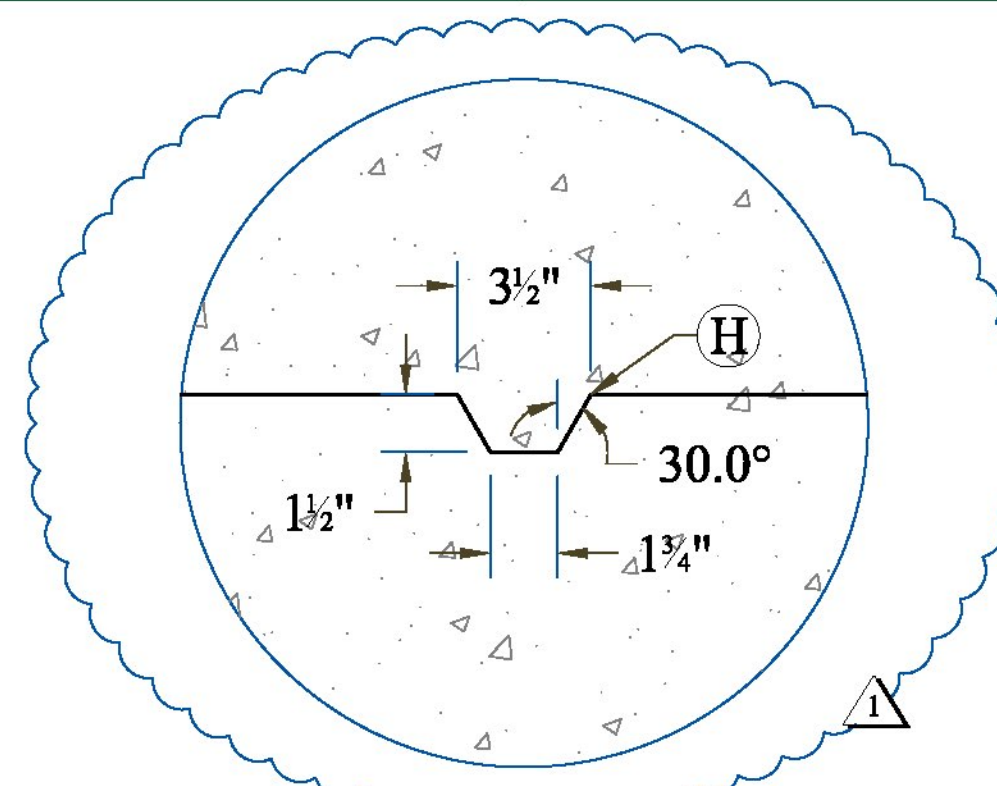
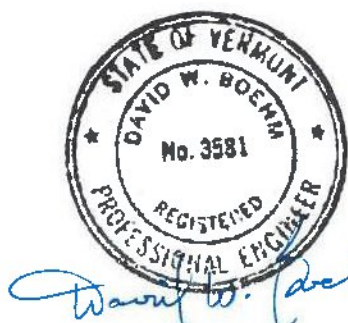
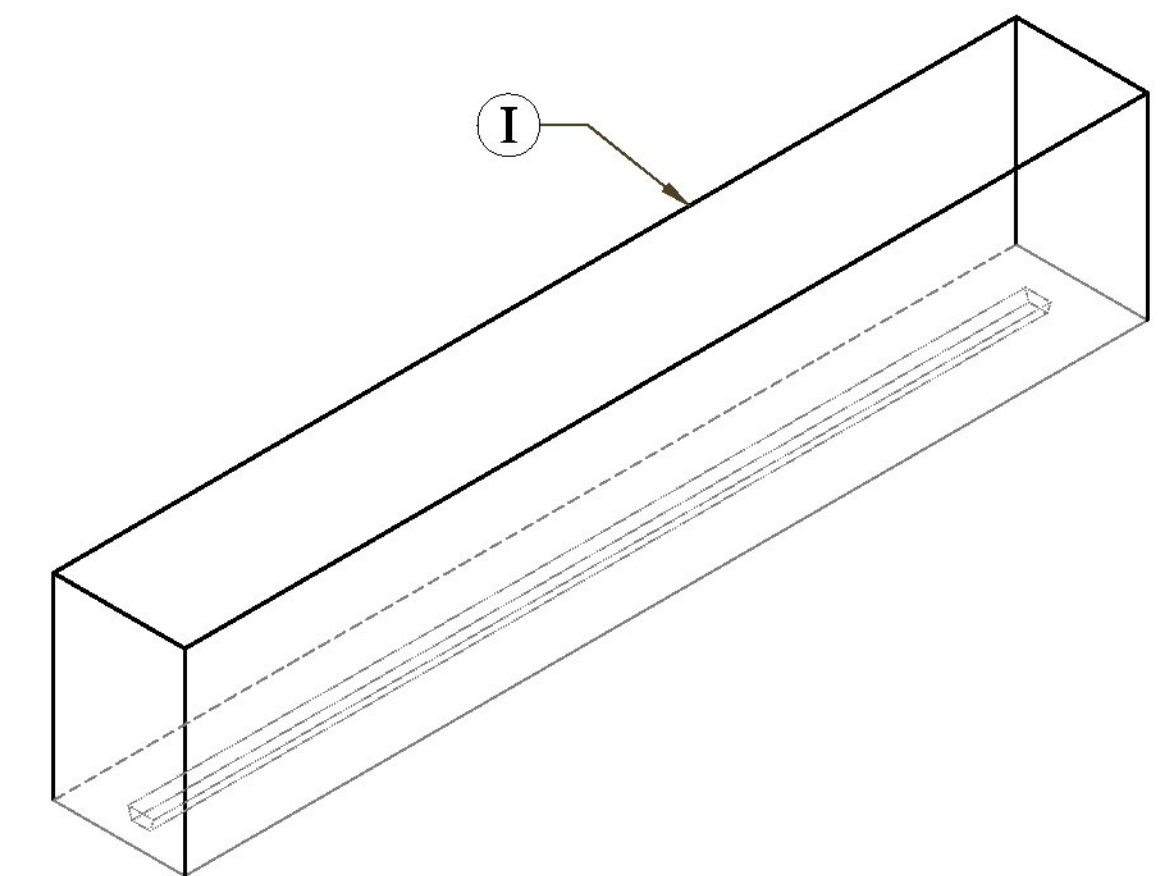


CW Section

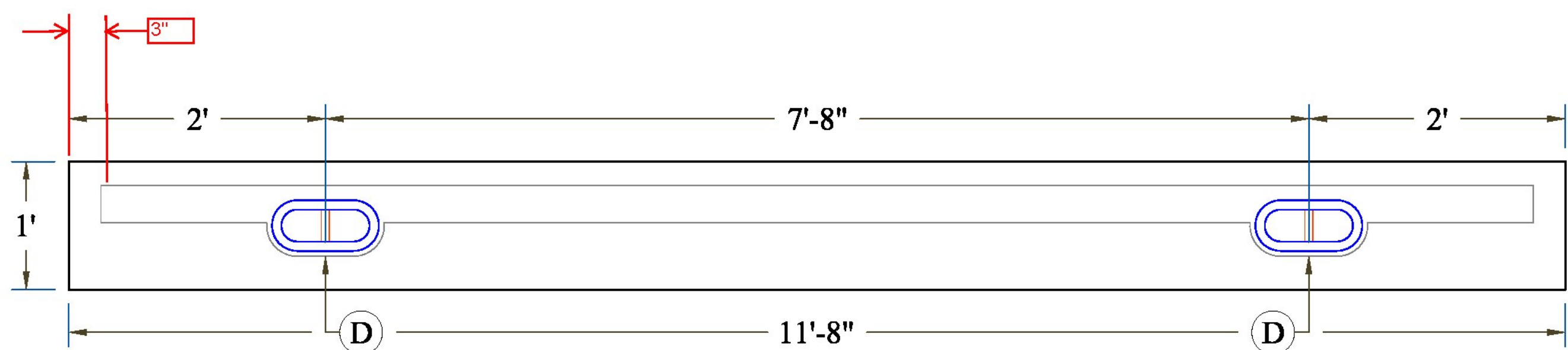
Head Wall Details



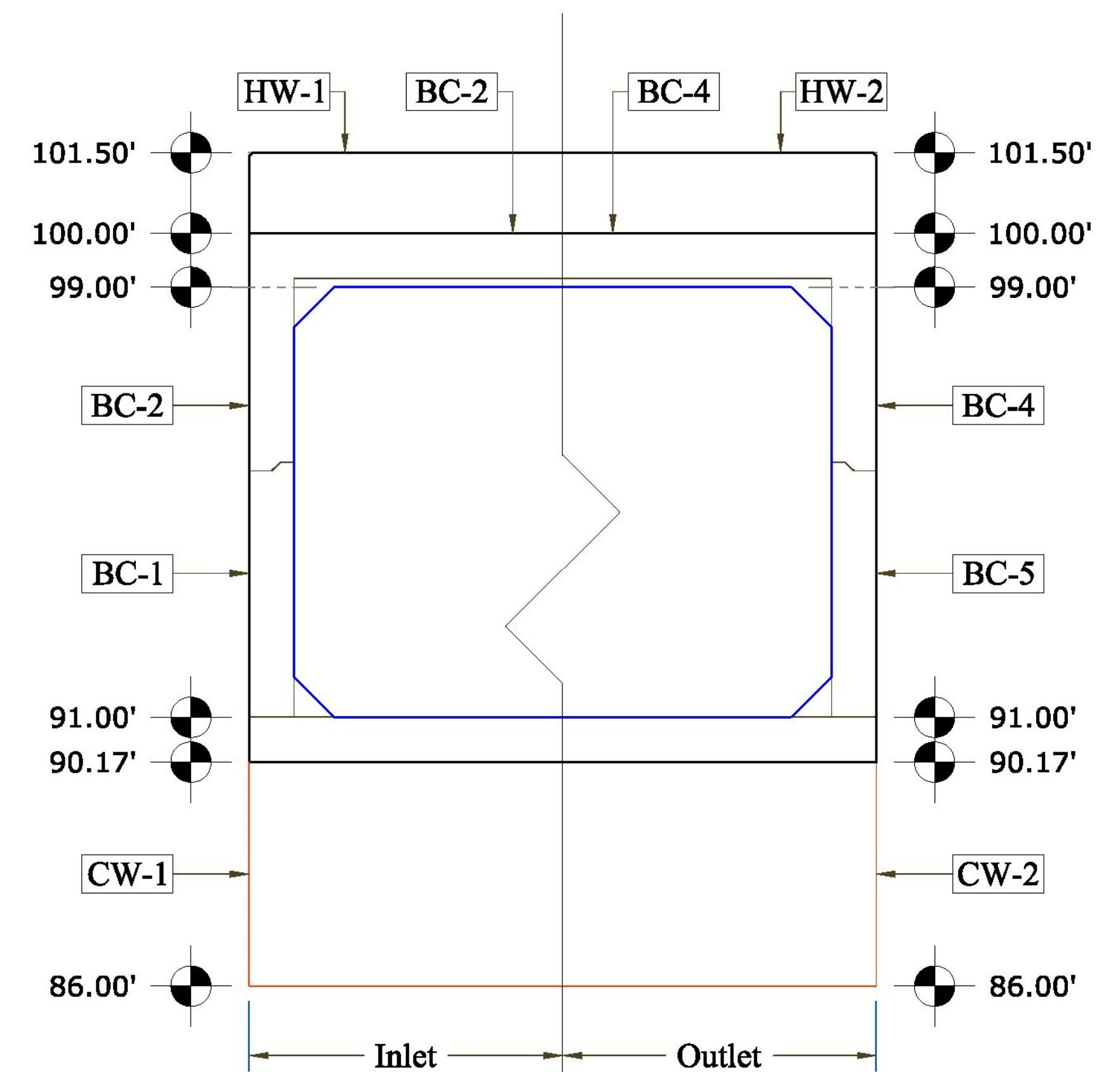
Head Wall Isometric



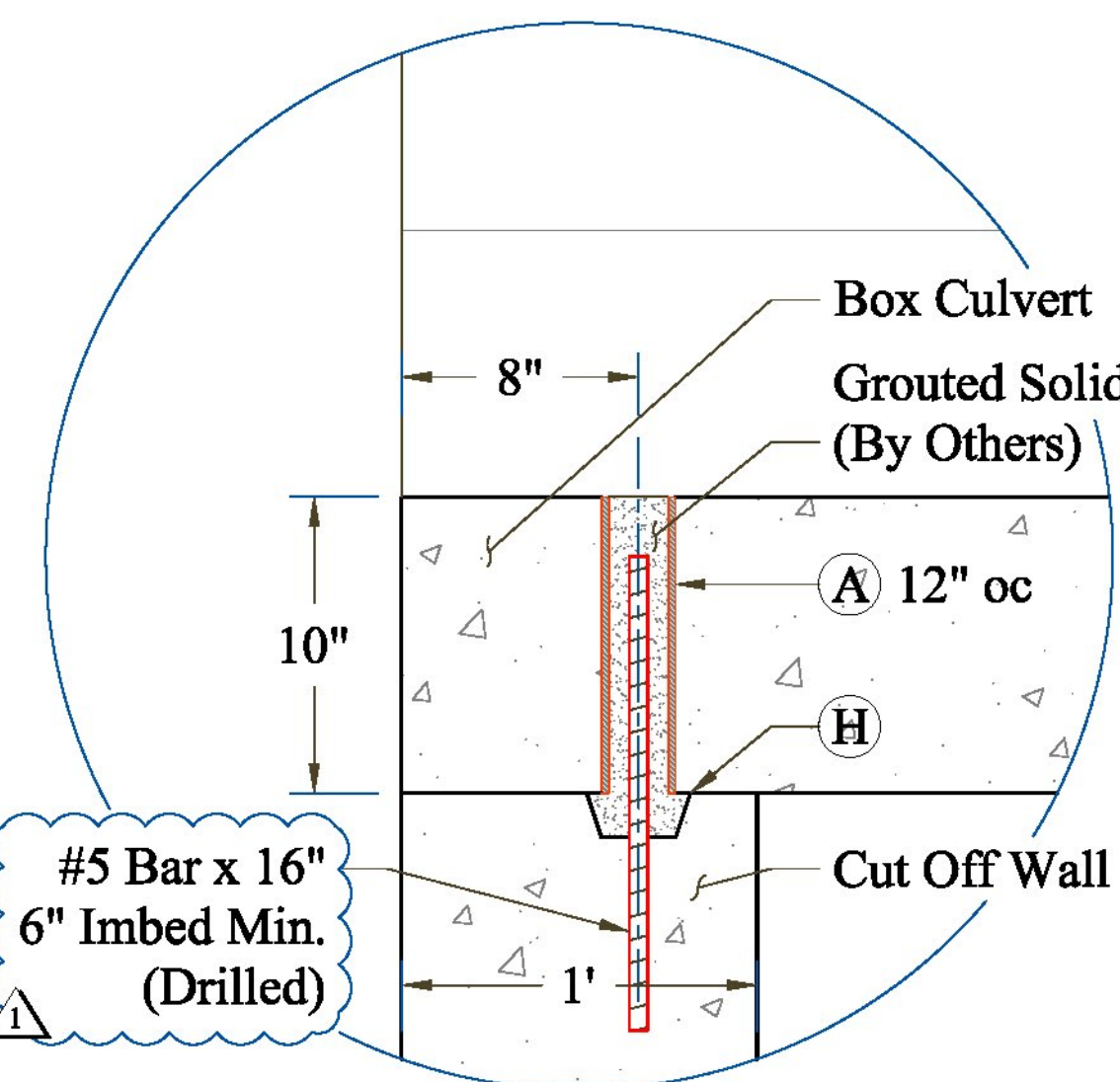
Typical Keyway Detail



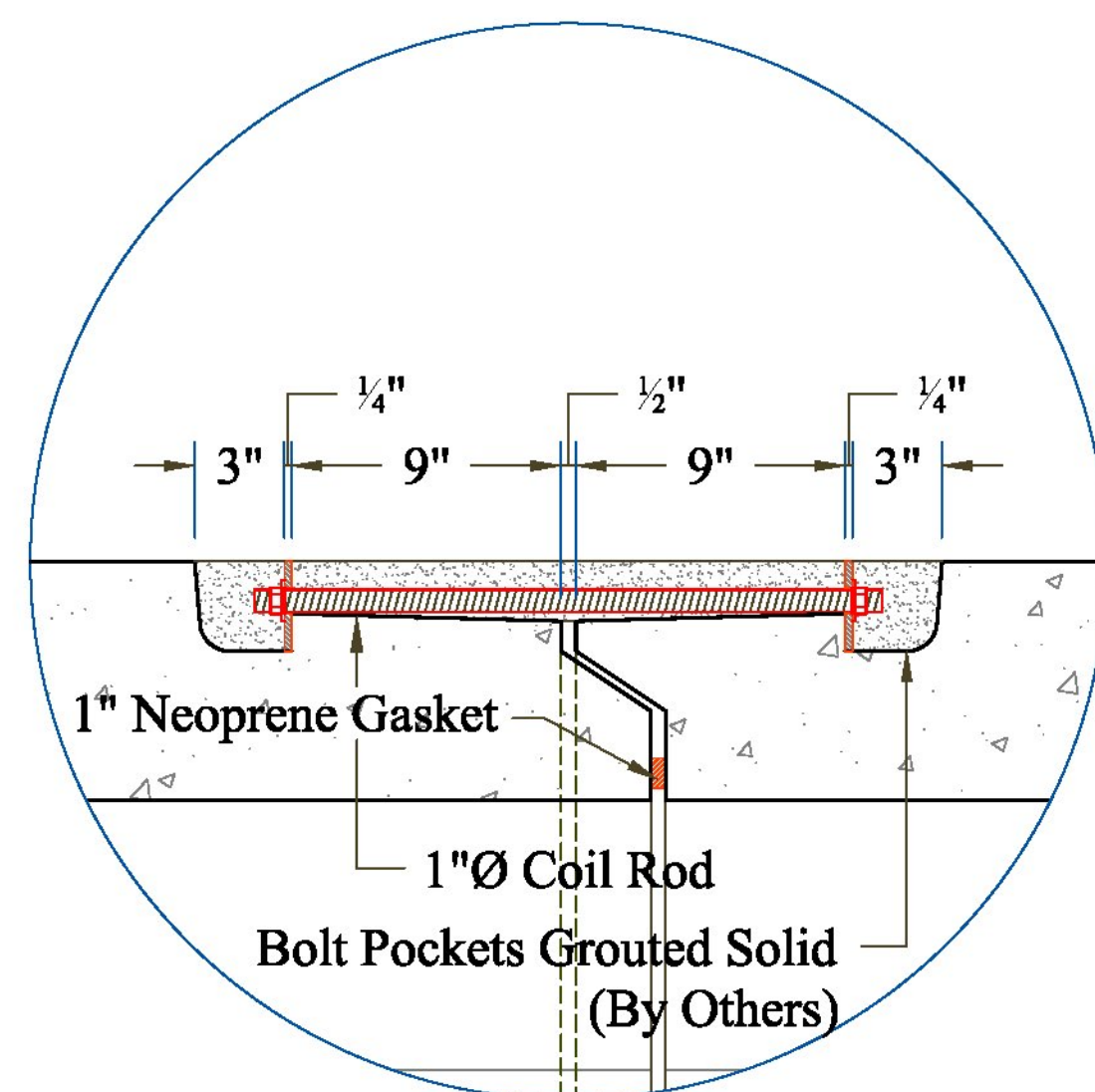
Cut Off Wall Plan



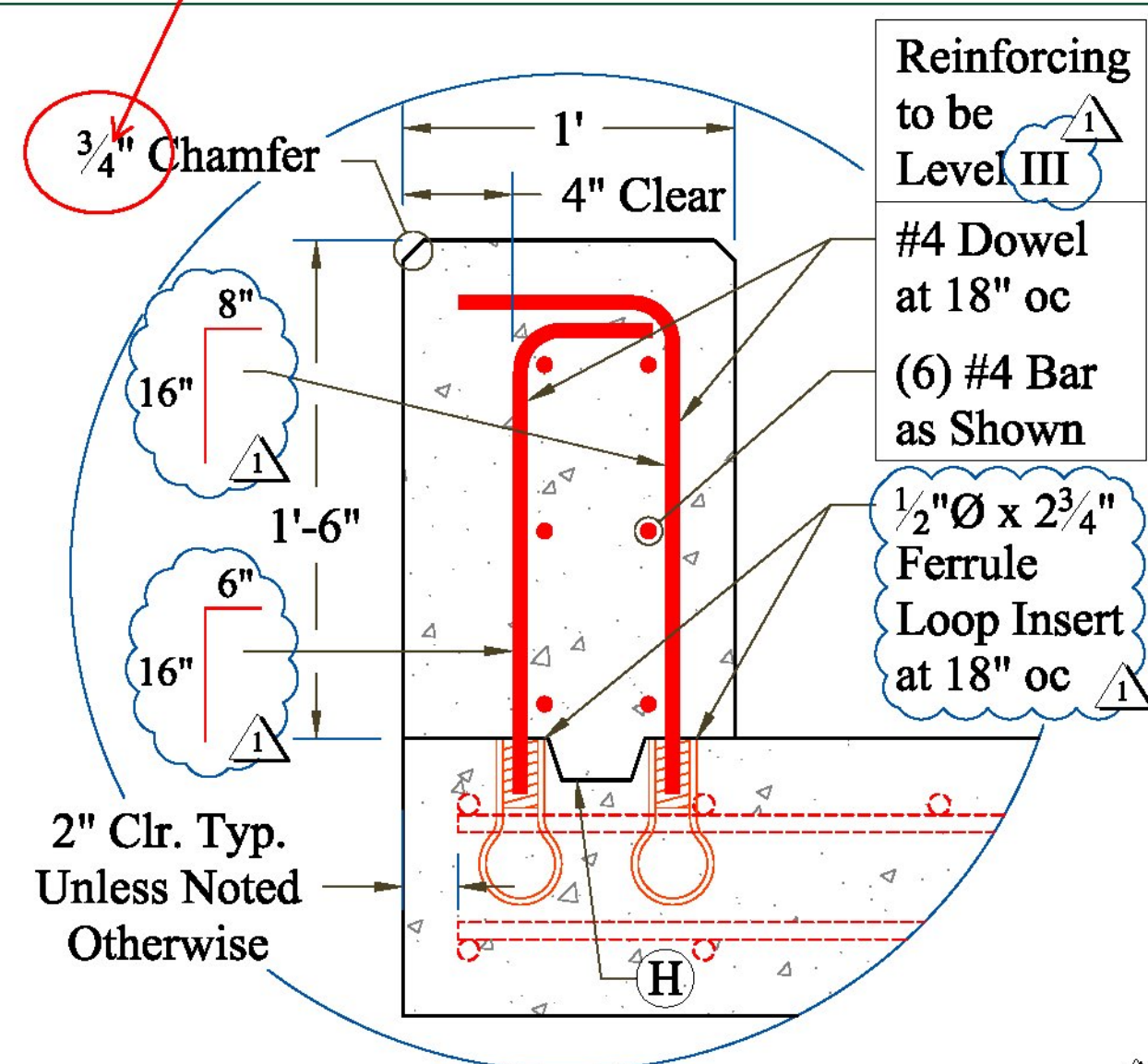
Inlet & Outlet Elevation



Culvert to Cut Off Wall Connection



Bolt Pocket Connection Detail



Head Wall to Box Culvert Connection

CONTRACTORS VTSPE:

09/26/13 - Revised Per Vermont Agency of Transportation Review

Vermont Agency of Transportation
RECEIVED
 CK'D BY RK/JW OK'D BY JS
 September 26, 2013
 RESUBMIT NO Approved AsNoted
 BY KH DATE 9-30-2013

PRECAST CONCRETE BOX CULVERT SHOP DRAWINGS (SDI JOB #13510)

SUPERVISOR: M. WHEELER
 DETAILER: C. DUPLANTIS
 CHECKER: M. WHEELER
 ENGINEER: ENGINEERING VENTURES

PROJECT NAME: ADDISON
 PROJECT #: STP CULV (14)
 LOCATION: ADDISON, VT
 BRIDGE: #2 ON VT ROUTE 17

CONTRACTOR:
 193 INDUSTRIAL AVE.
 WILLISTON, VT 05495
 Ph: (802) 658-0201

09/19/13

FABRICATOR:
 193 INDUSTRIAL AVE.
 WILLISTON, VT 05495
 Ph: (802) 658-0201



MISC. DETAILS ,HEADWALL & CUTOFF WALLS

3 OF 4