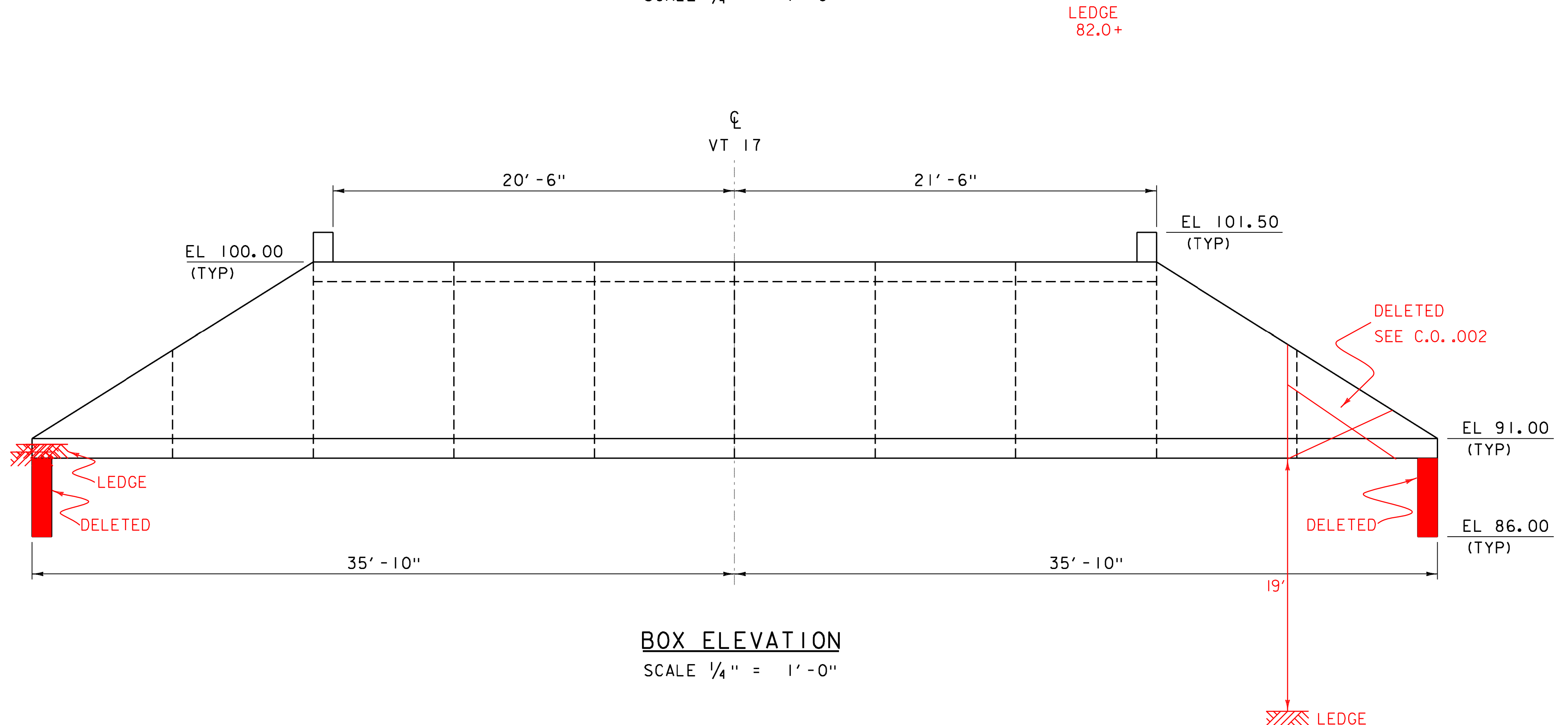


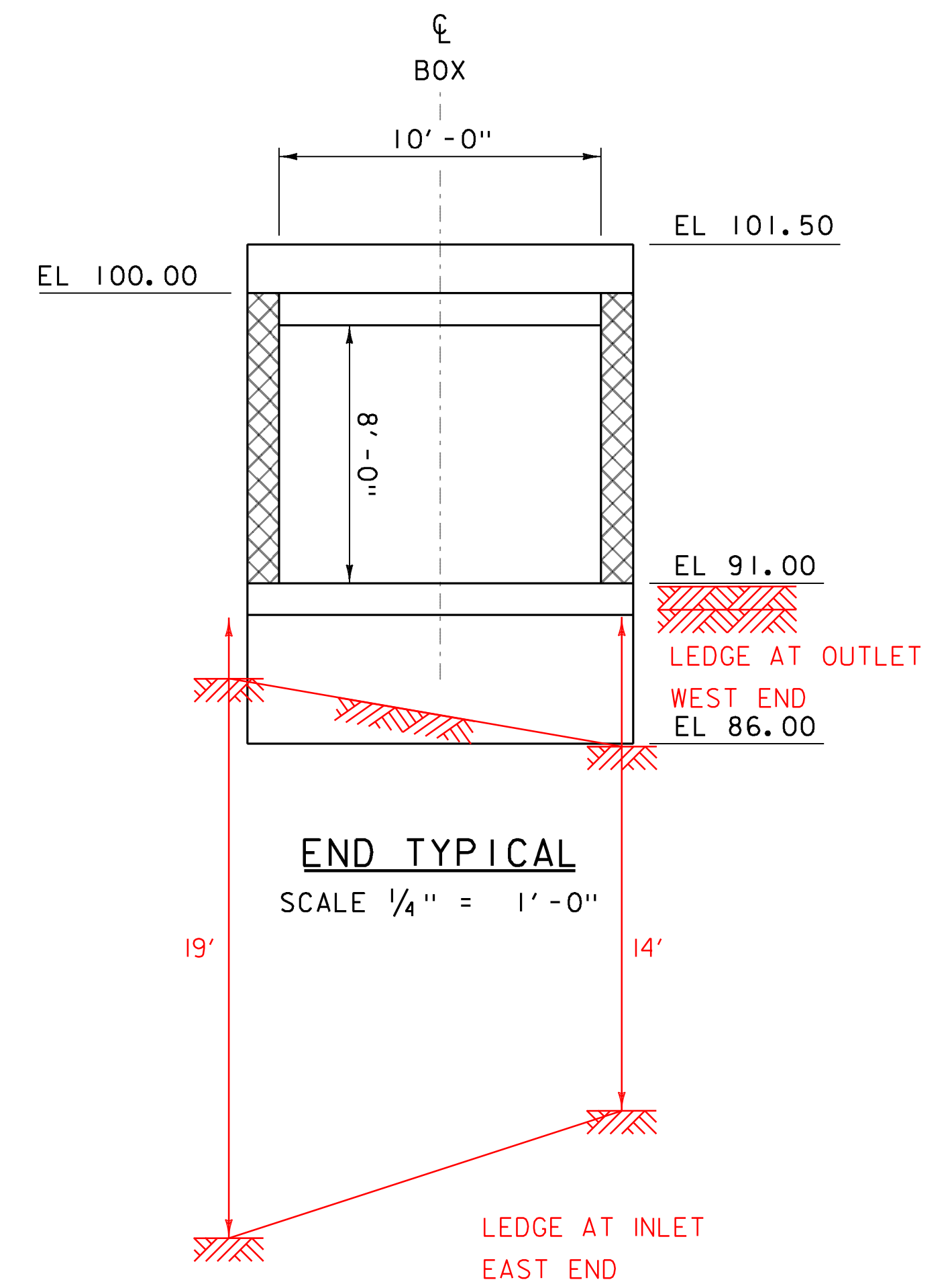
BOX LAYOUT
SCALE 1/4" = 1'-0"



BOX ELEVATION
SCALE 1/4" = 1'-0"

NOTES:

1. DIMENSIONS SHOWN ARE BASED ON AN ASSUMED WALL THICKNESS OF 1'-0"
2. THE PRECAST BOX SECTIONS ARE SHOWN FOR REFERENCE ONLY. THE ACTUAL DIMENSIONS AND SHAPE WILL BE DEPENDENT ON THE FABRICATOR.



END TYPICAL
SCALE 1/4" = 1'-0"

| | |
|------------------------------|------------------------|
| PROJECT NAME: ADDISON | PLOT DATE: 09-MAR-2013 |
| PROJECT NUMBER: STP CULV(14) | DRAWN BY: J. SALVATORI |
| FILE NAME: s08b062sub.dgn | CHECKED BY: J. GRIGAS |
| PROJECT LEADER: K. HIGGINS | SHEET 15 OF 28 |
| DESIGNED BY: J. SALVATORI | |
| BOX LAYOUT | |