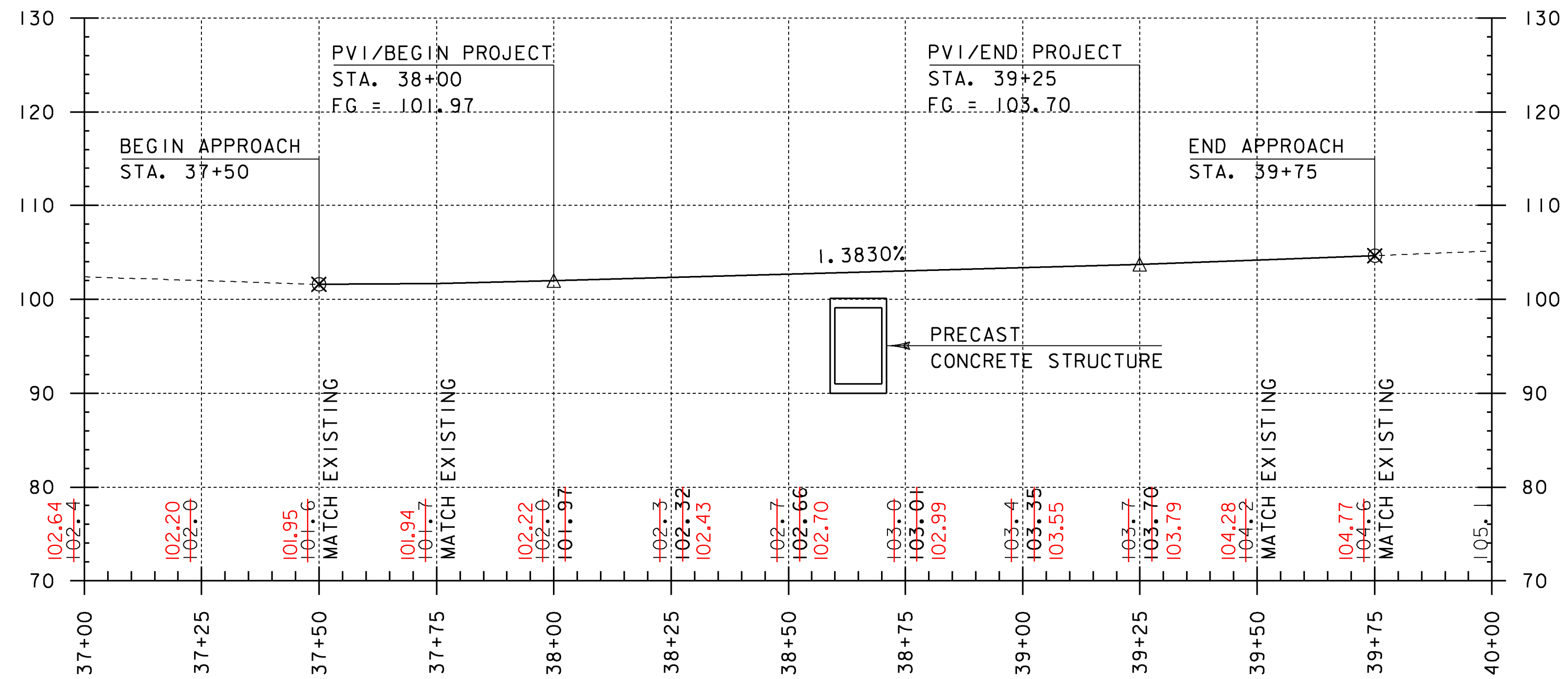
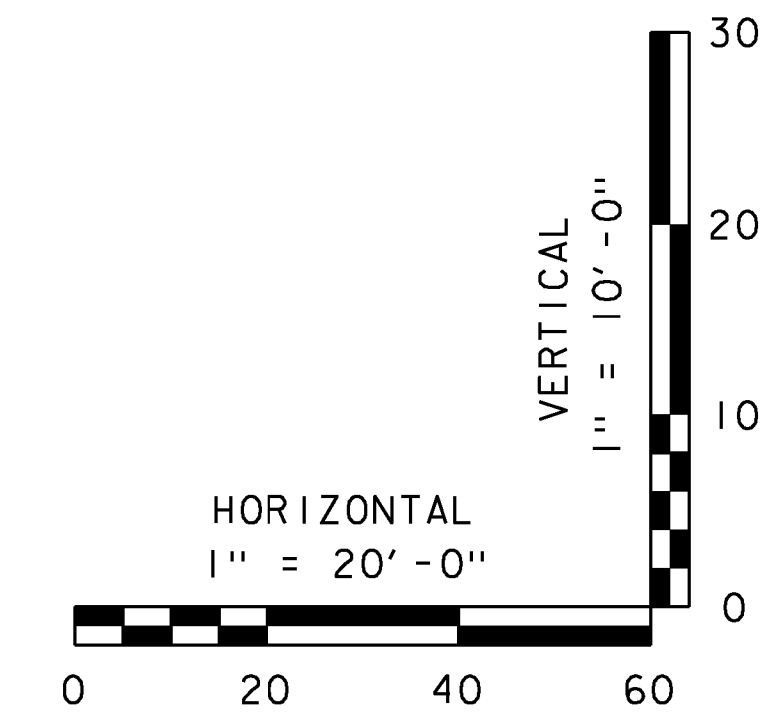


BANKING DIAGRAM
NOT TO SCALE

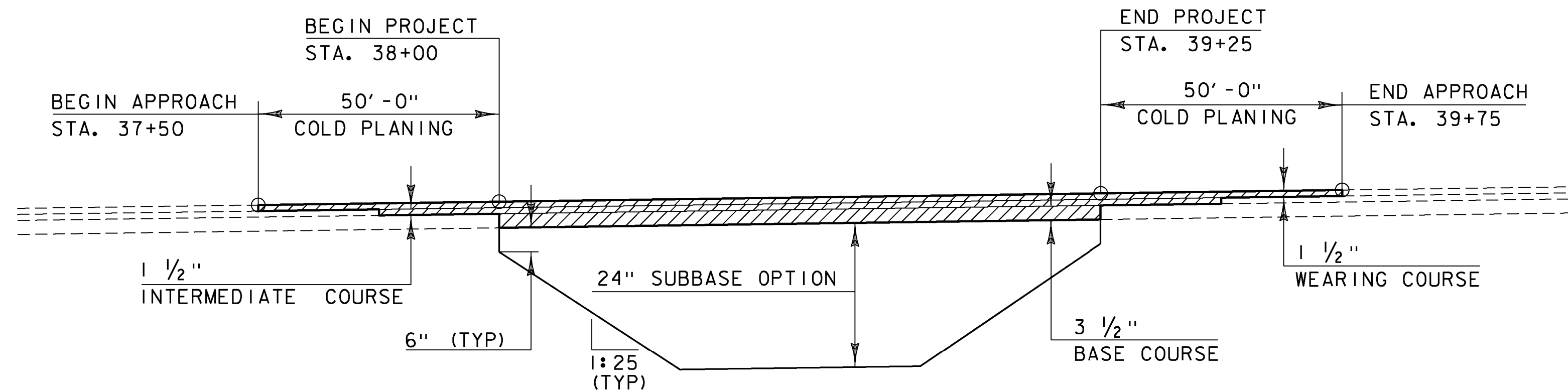


MAINLINE PROFILE
HORIZONTAL SCALE 1" = 20'-0"
VERTICAL SCALE 1" = 10'-0"



THE GRADES SHOWN TO THE NEAREST TENTH ARE THE ORIGINAL GROUND ELEVATIONS ALONG THE PROPOSED ALIGNMENT.

THE GRADES SHOWN TO THE NEAREST HUNDREDTH ARE THE PROPOSED GRADES FOR THE NEW ALIGNMENT.



MATERIAL TRANSITION
NOT TO SCALE

PROJECT NAME:	ADDISON	PLOT DATE:	09-MAR-2013
PROJECT NUMBER:	STP CULV(14)	DRAWN BY:	J. SALVATORI
FILE NAME:	s08b062xs.dgn	CHECKED BY:	W. LAMMER
PROJECT LEADER:	K. HIGGINS	SHEET	9 OF 28
DESIGNED BY:	J. SALVATORI		
MAINLINE PROFILE			