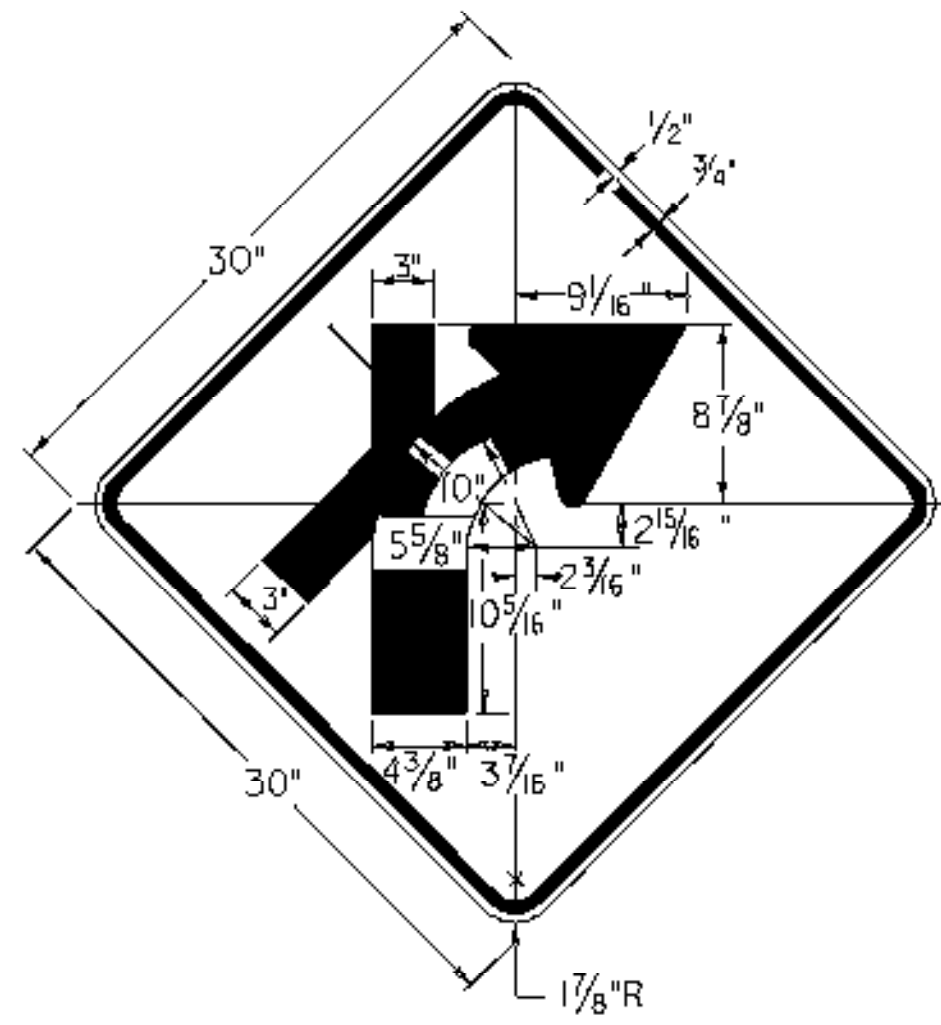
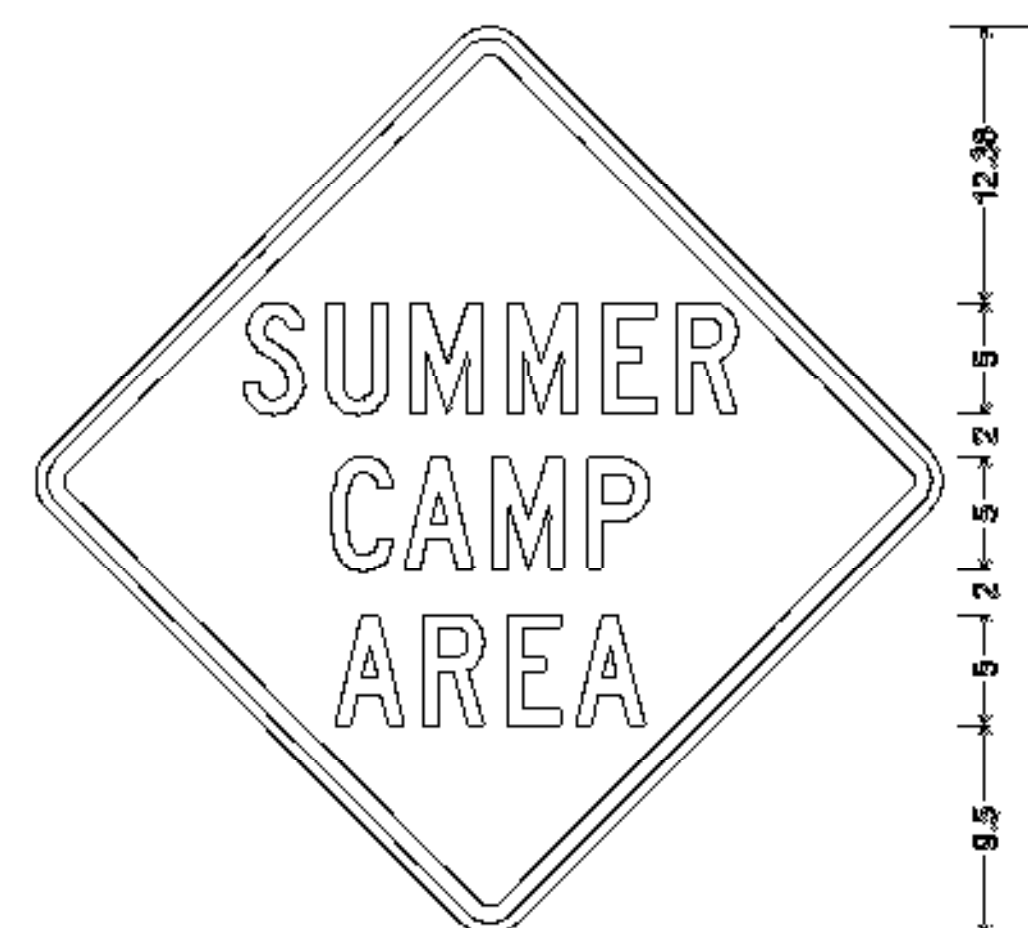


W1-4R
(MOD)

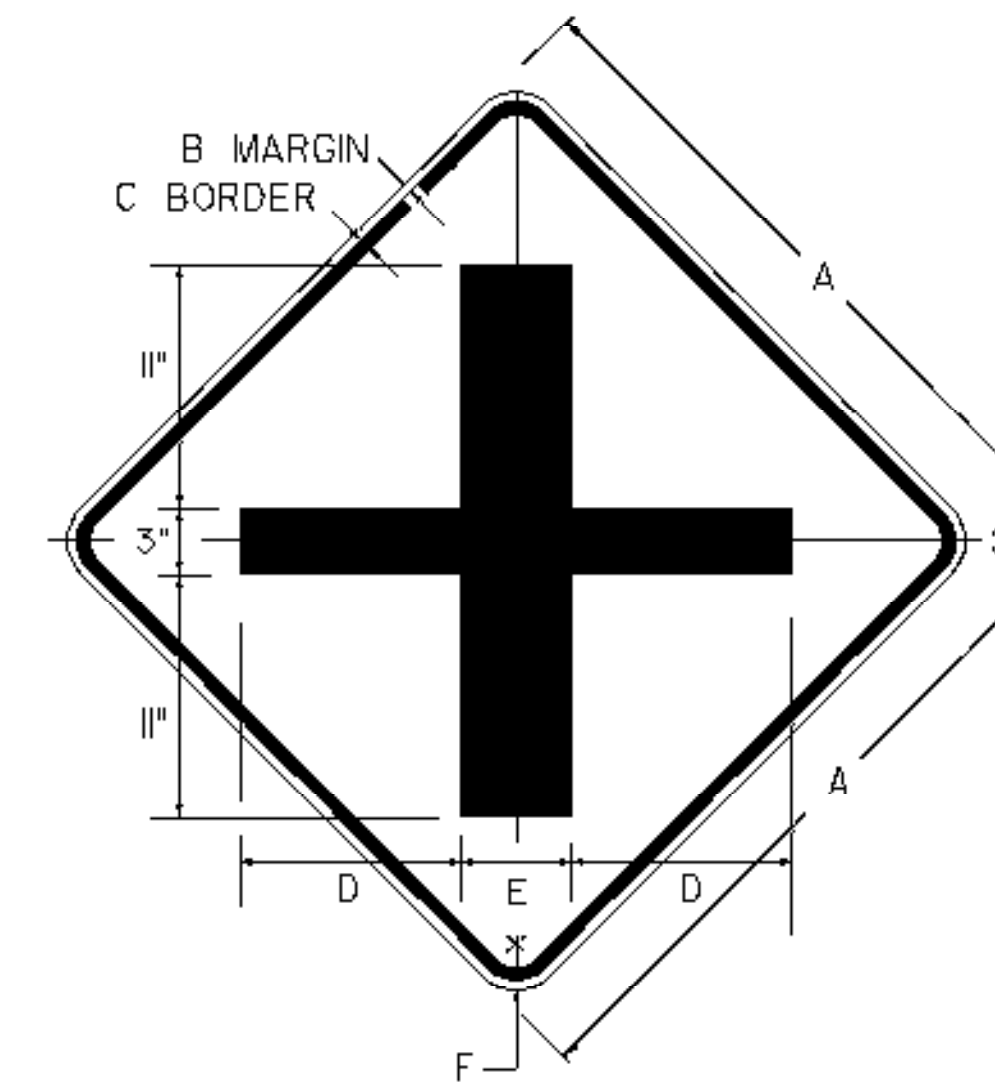


W1-2R
(MOD)
COLORS:
BLACK SYMBOL & BORDER
WITH YELLOW BACKGROUND



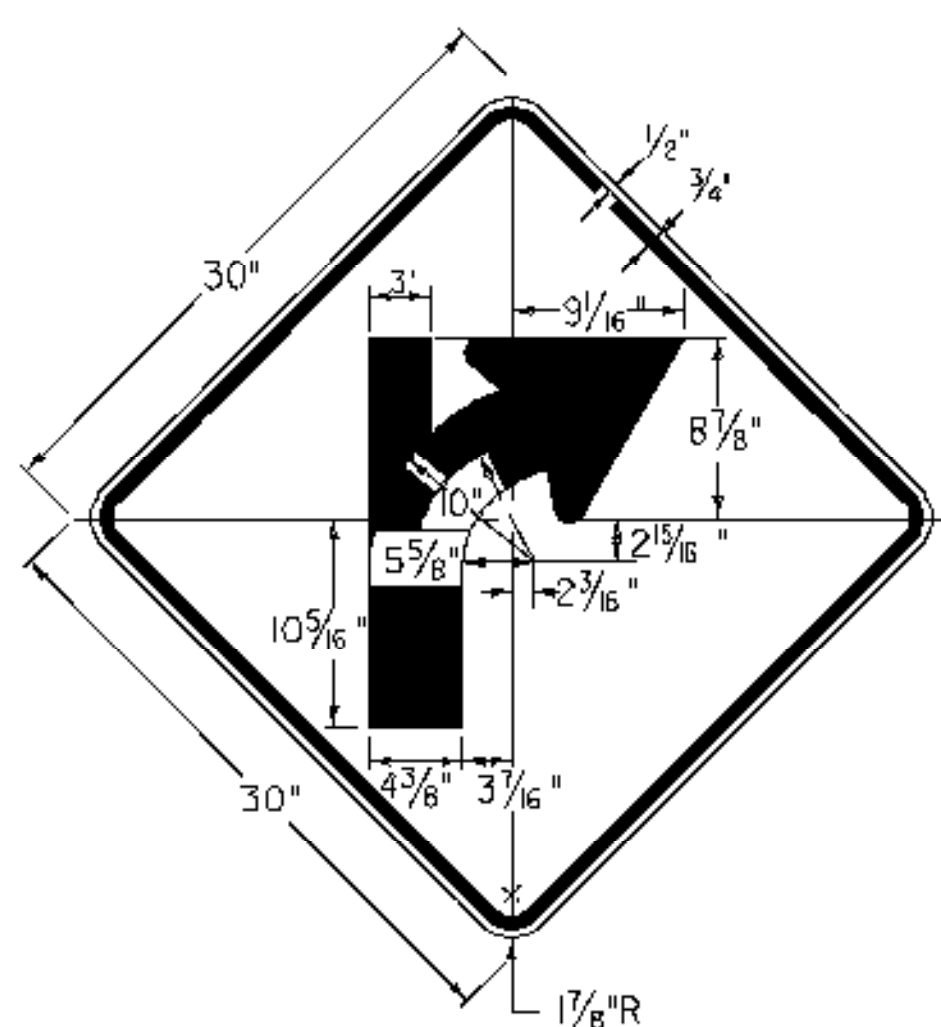
30.00" across sides 1.65" Radius, 0.75" Border, 0.50" Inset, Black on Yellow;
*SUMMER" C; *CAMP" C; *AREA" C;

VW-219

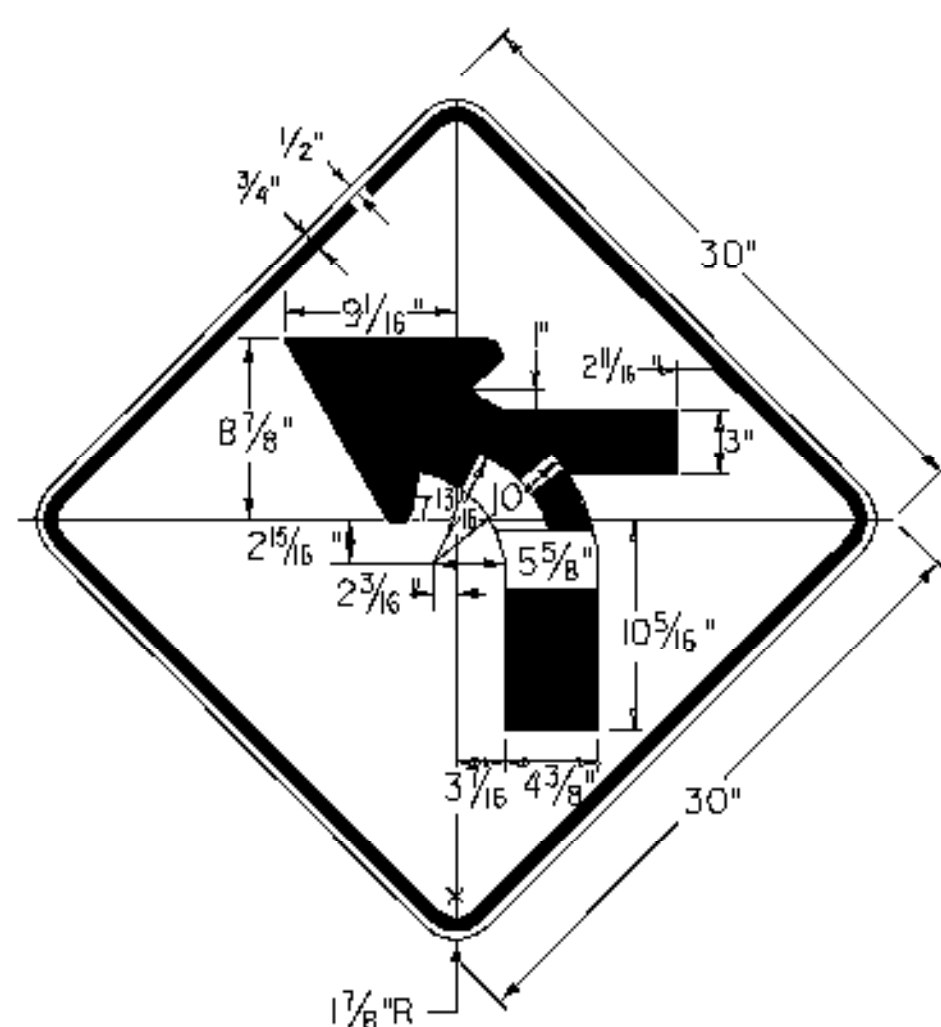


W2-1Mb
(MOD)
COLORS:
BLACK SYMBOL & BORDER
WITH YELLOW BACKGROUND

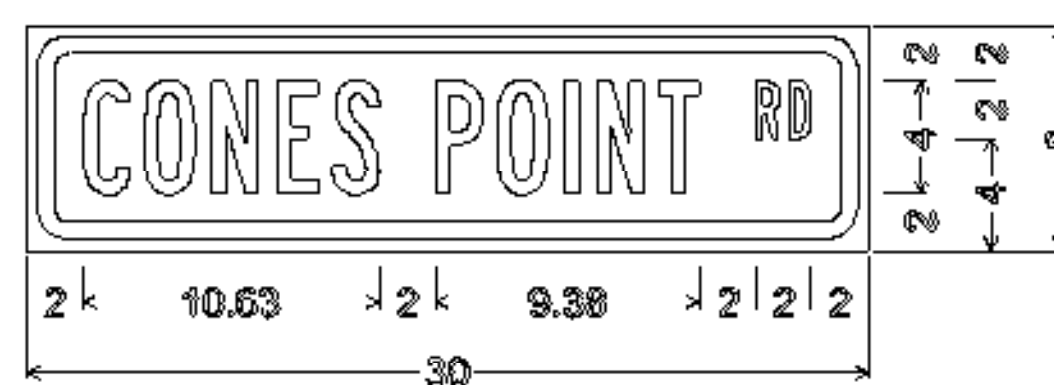
SIGN	DIMENSIONS (INCHES)														
	A	B	C	D	E	F	G	H	J	K	L	M	N	P	Q
STD. & MIN.	36	5/8	7/8	4 23/32	2 1/4	7 1/2	5 3/2	5 1/4	16 7/8	12 3/8	7 7/8	5 1/4	1 1/16	3 15/16	2 1/4
SPECIAL	48	3/4	1 1/4	6 5/16	3	10	3 1/16	7	22 1/2	16 1/2	10 1/2	7	2 1/4	5 1/4	3



W1-2R
(MOD)
COLORS:
BLACK SYMBOL & BORDER
WITH YELLOW BACKGROUND

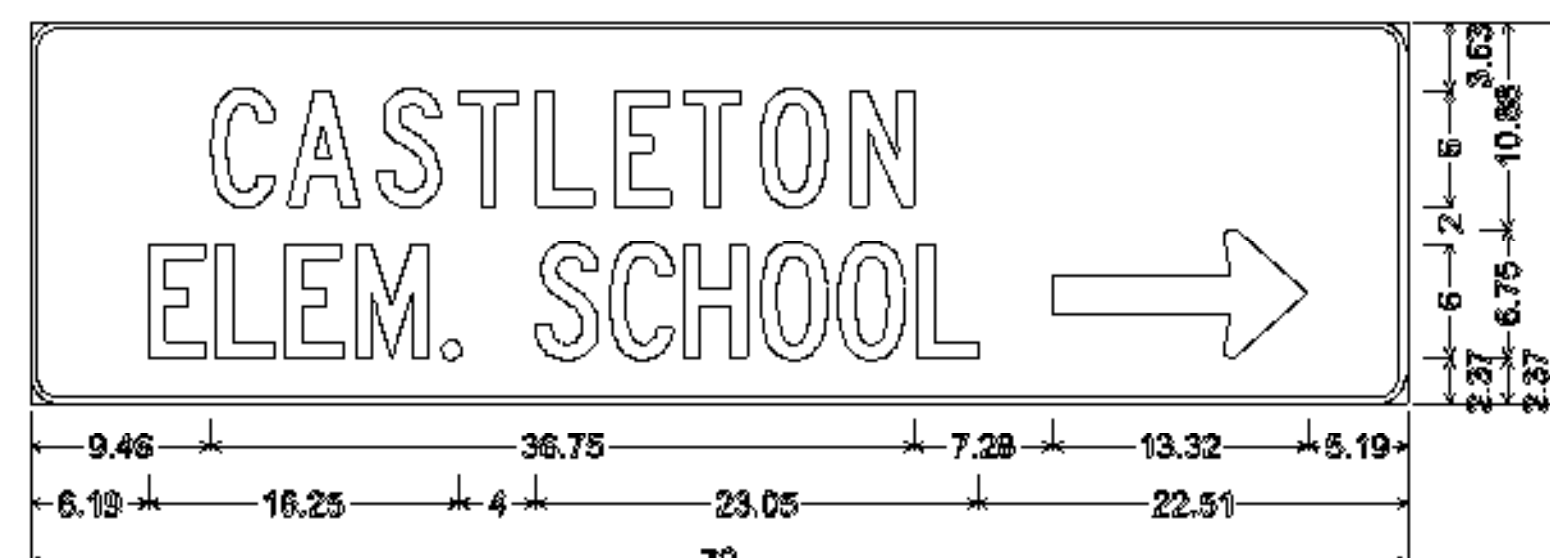


W1-2L
(MOD)
COLORS:
BLACK SYMBOL & BORDER
WITH YELLOW BACKGROUND



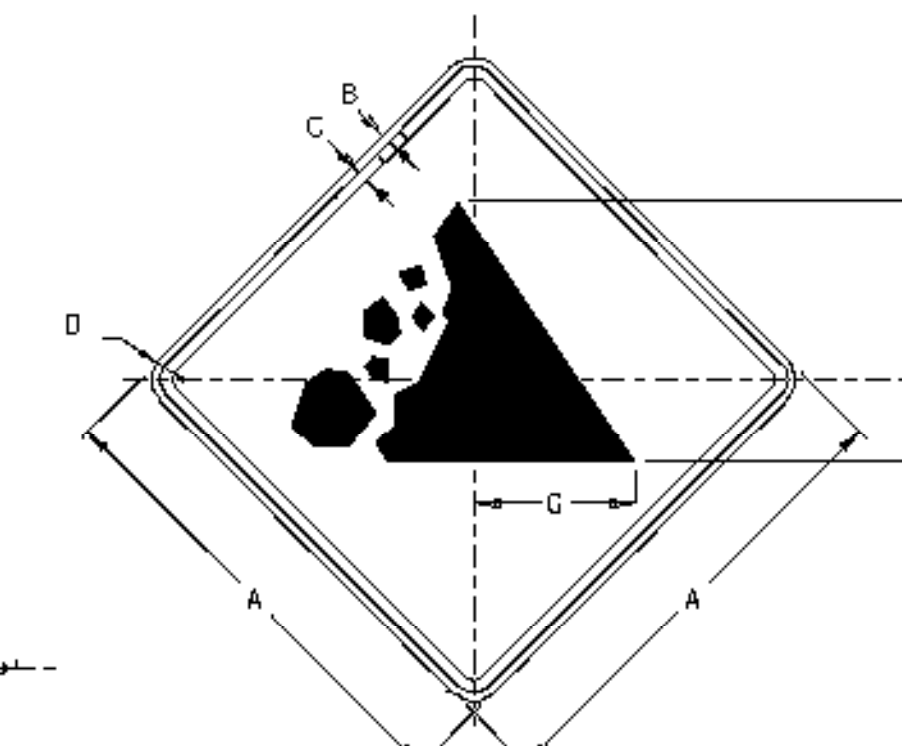
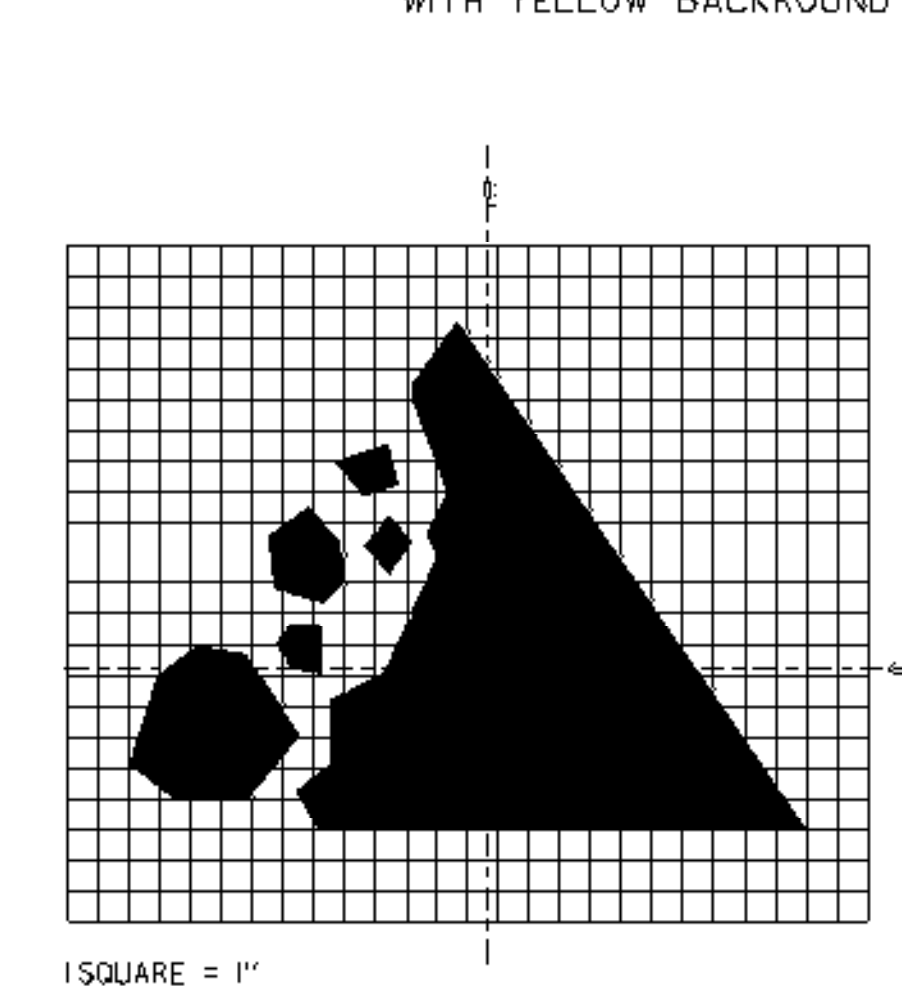
1.50" Radius, 0.63" Border, 0.38" Inset, Black on Yellow;
*CONES POINT RD" B specified length;

W16-8A



1.50" Radius, 0.38" Border, White on Green;
*CASTLETON" C; *ELEM. SCHOOL" C specified length;
Standard Arrow Custom 13.32" X 6.75" O';

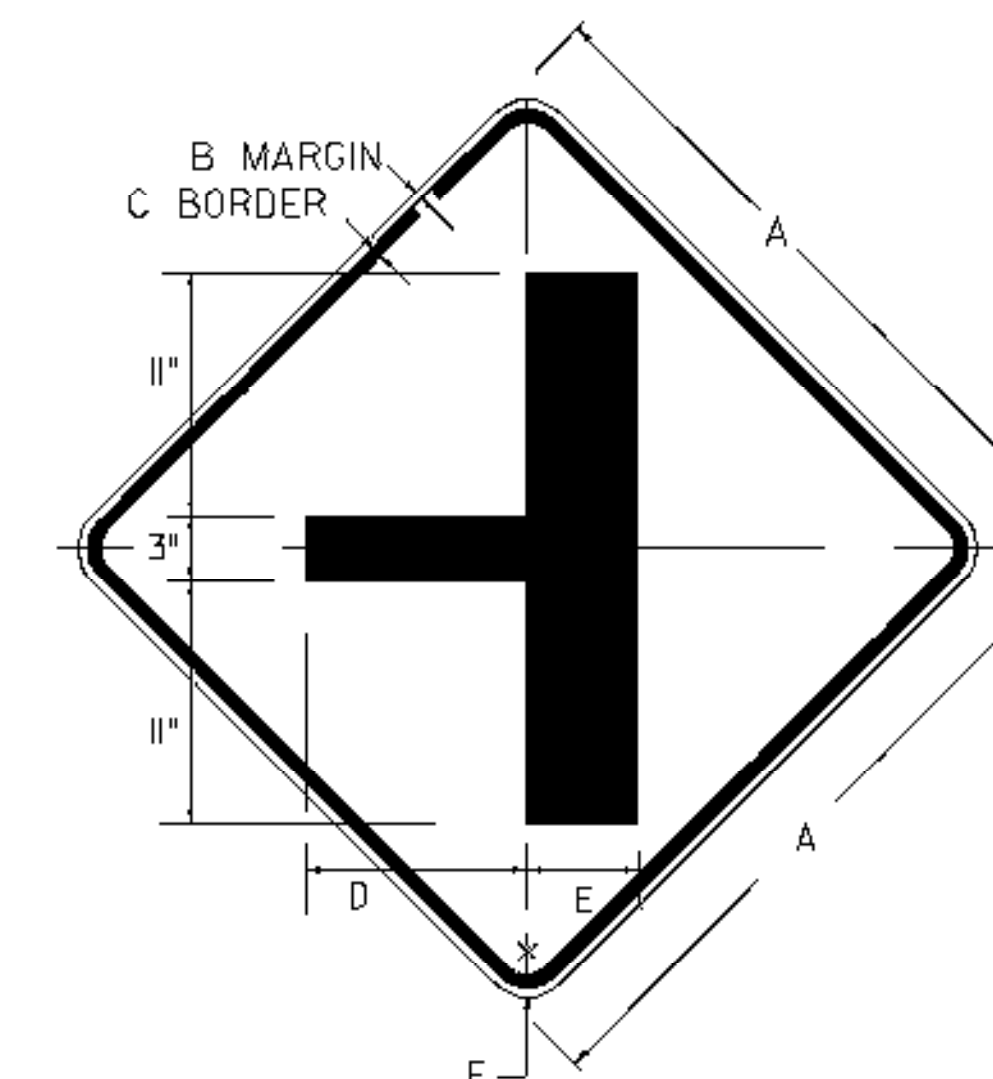
D1-2 (R)



WW-285

COLORS:
TEXT AND BORDER - BLACK (NON-REFL.)
BACKGROUND - YELLOW (REFL.)

SIGN	DIMENSIONS (INCHES)						
	A	B	C	D	E	F	G
STD.	30	1/2	3/4	1 1/2	1 1/4	8 1/4	10 3/8
SPECIAL	48	3/4	1 1/4	3	1 1/2	12 1/2	16 1/2



W2-2Ma
(MOD)
COLORS:
BLACK SYMBOL & BORDER
WITH YELLOW BACKGROUND

PROJECT NAME: WELLS-HUBBARDTON
PROJECT NUMBER: STPG SIGN (15)

FILE NAME: stpg sign15 plans.dgn
PROJECT LEADER: N. AVERY
DESIGNED BY: N. AVERY
SIGN DETAILS

PILOT DATE: 04-AUG-2008
DRAWN BY: ROADWAY
CHECKED BY: A. GAMBLE
SHEET 31 OF 75