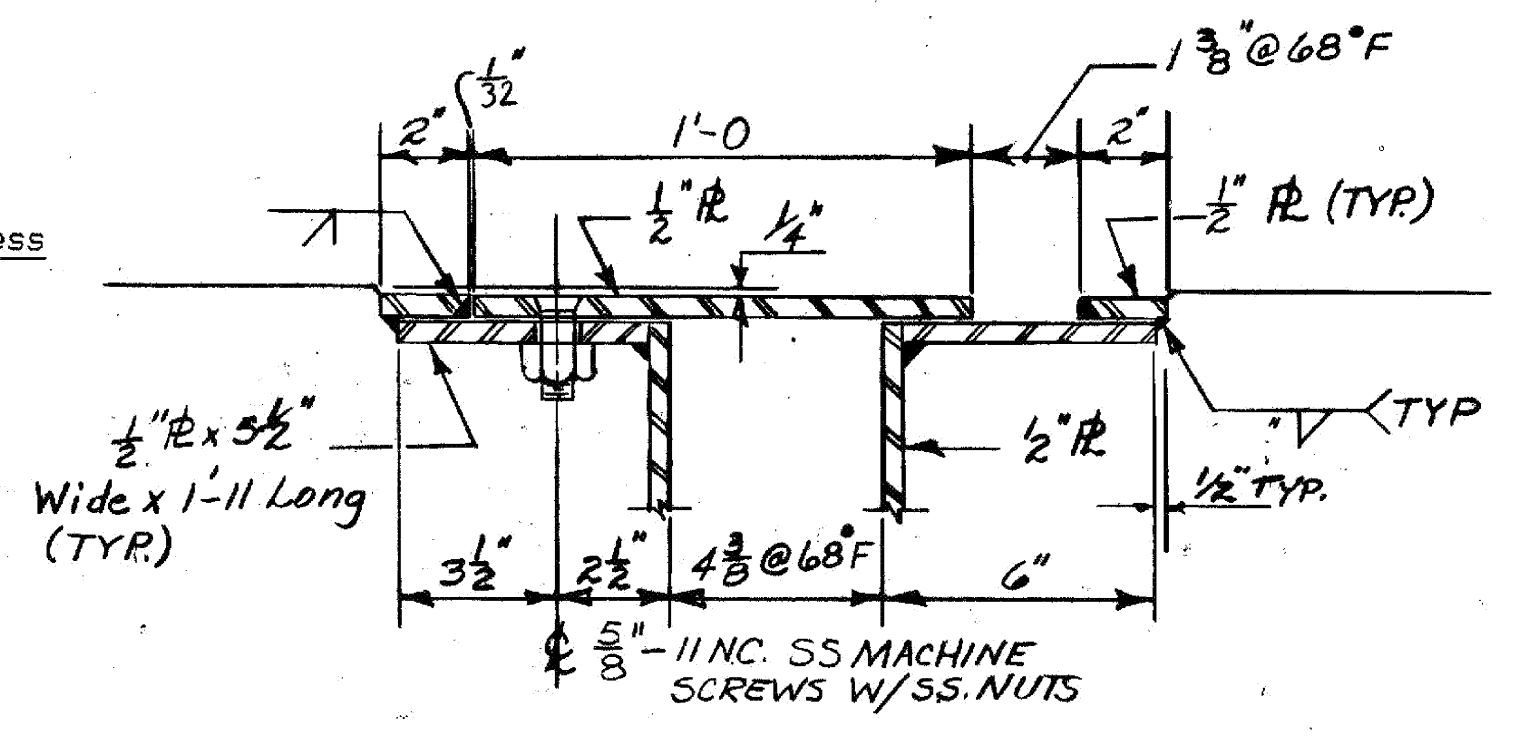
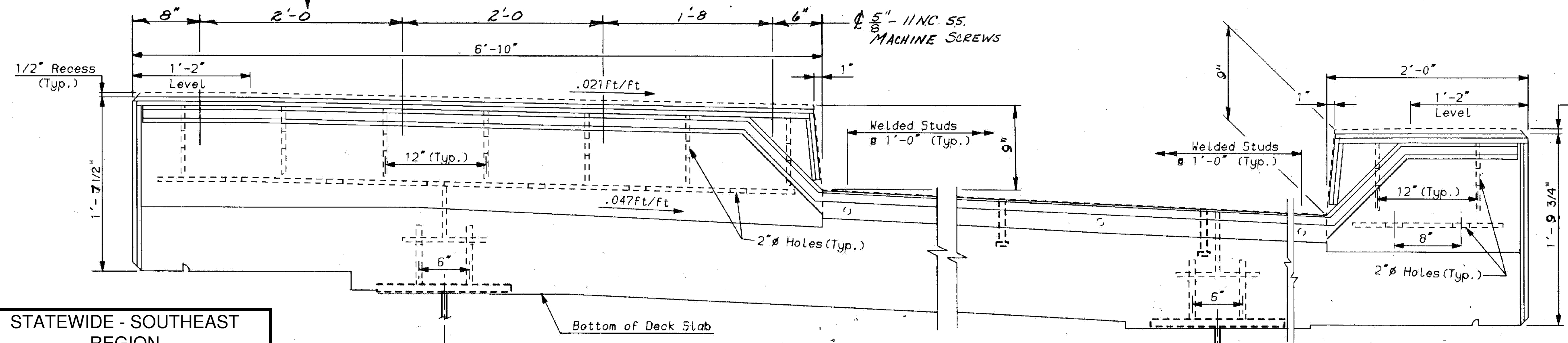


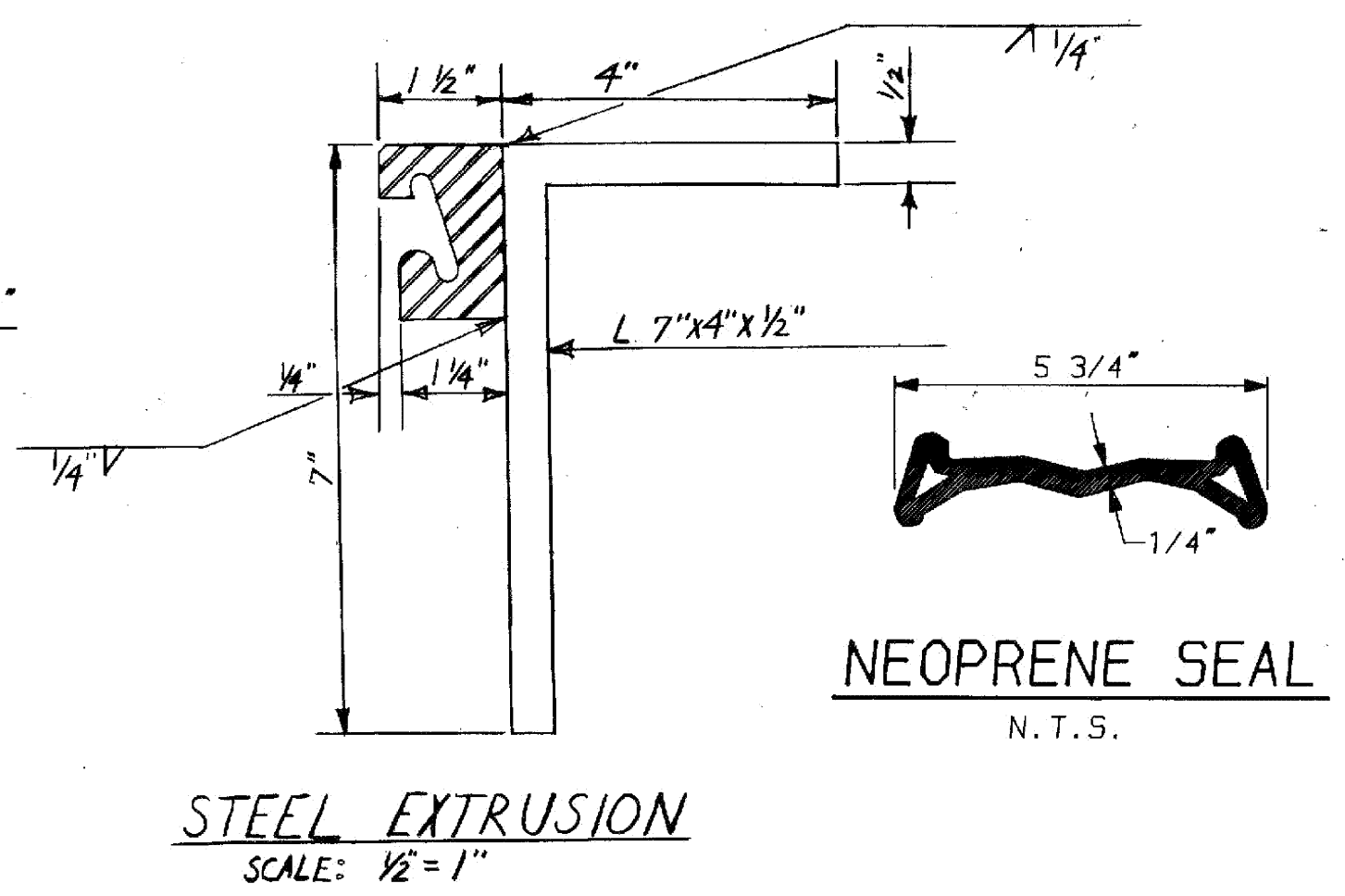
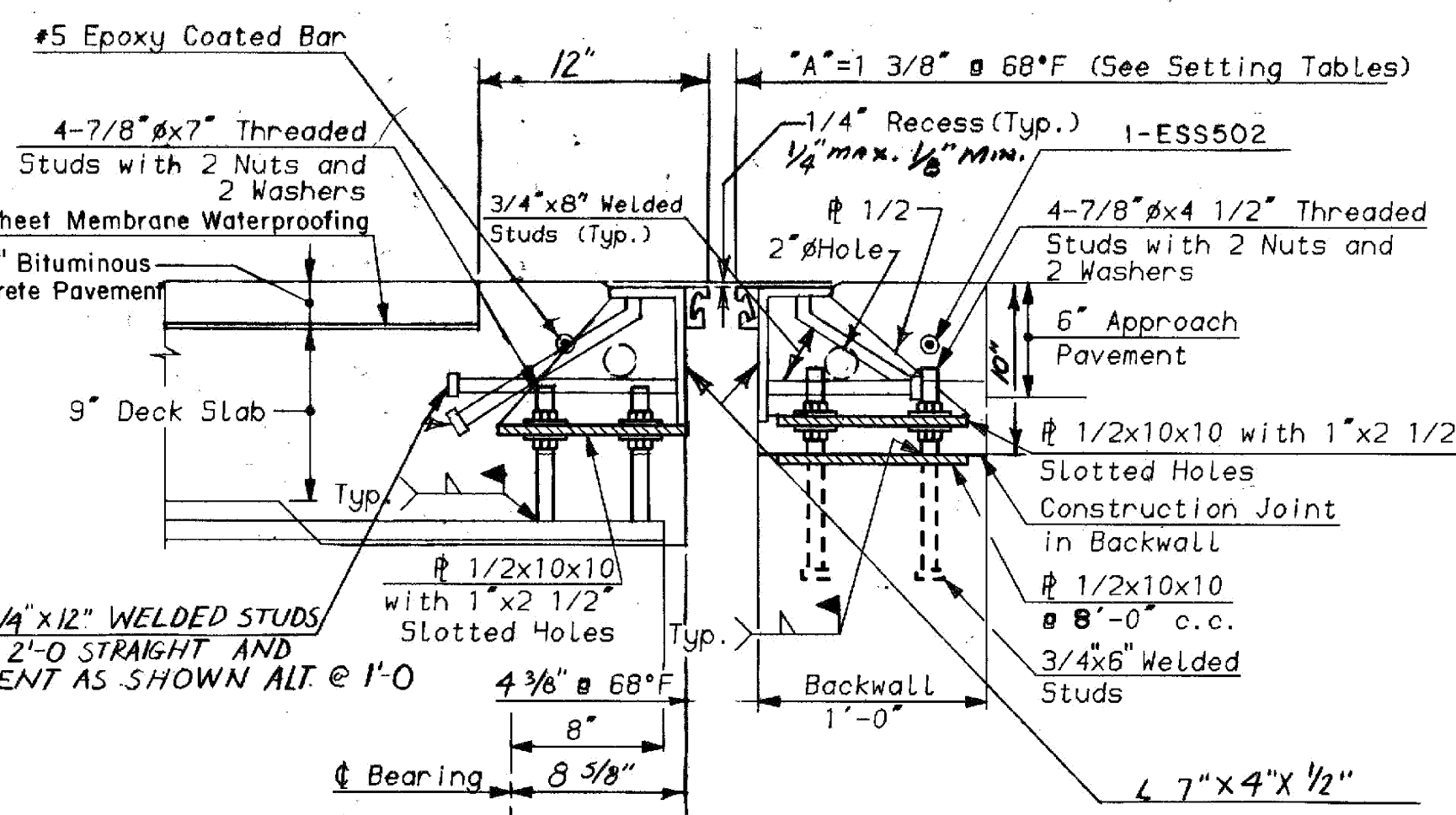
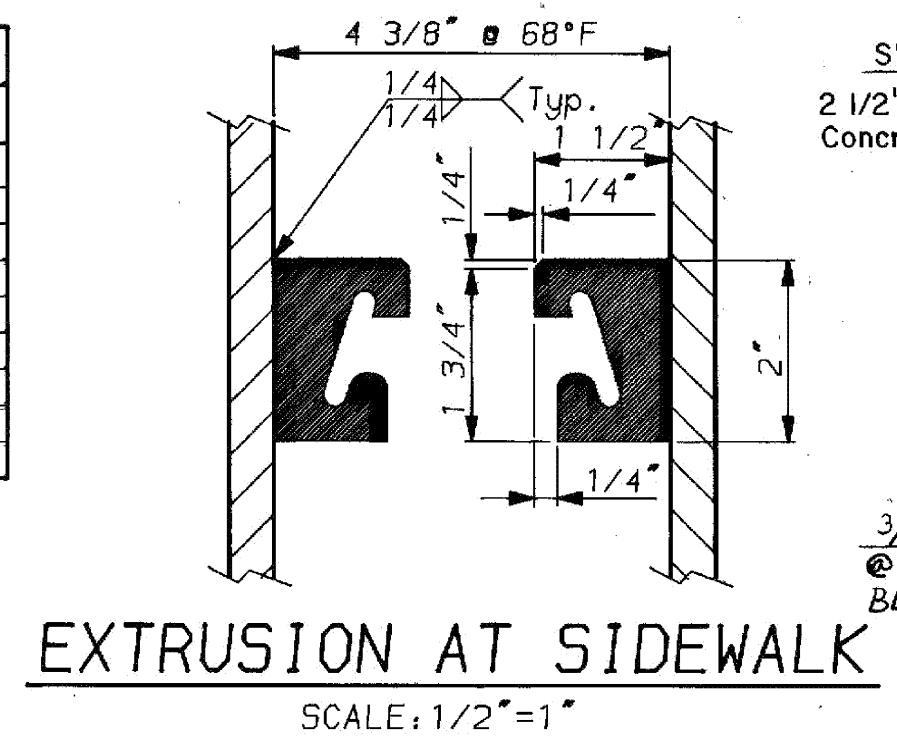
- NOTES**
- FOR GENERAL NOTES SEE SHEET NO. BR2.
 - ALTERNATE EXPANSION JOINTS CAPABLE OF PROVIDING A TOTAL MOVEMENT OF 3" MAY BE SUBMITTED FOR APPROVAL TO THE ENGINEER IN LIEU OF THE DESIGN AS DETAILED.
 - ALL STRUCTURAL STEEL USED IN THE EXPANSION JOINT ASSEMBLY SHALL BE ASTM A-36. ALL PLATES ARE 1/2", JOINED BY FILLET WELDS, UNLESS OTHERWISE MARKED.
 - THE ITEM "ELASTOMERIC EXPANSION DAM (4" MOVEMENT)" SHALL INCLUDE THE COSTS OF FABRICATION AND ERECTION OF THE COMPLETE EXPANSION JOINT ASSEMBLY INCLUDING THE EXTRUDED STEEL SECTIONS, PREFORMED NEOPRENE SEAL, WELDED STUDS, CURB PLATES AND ANY OTHER MISCELLANEOUS HARDWARE.
 - THE EXPANSION DAM SHALL BE ASSEMBLED IN THE SHOP AND SHIPPED WITH AN APPROVED ADJUSTABLE CONNECTION SYSTEM WHICH WILL ALLOW THE COMPLETE UNIT TO BE ADJUSTED FOR TEMPERATURE AND ANCHORED IN POSITION.
 - THE EXPANSION DAM SHALL BE CONSTRUCTED PARALLEL TO THE CENTERLINE OF BEARING.
 - ALL STEEL COMPONENTS SHALL BE GALVANIZED OR METALLIZED PER SUBSECTION 731.06.
 - WHERE INDICATED EPOXY BONDING COMPOUND CONFORMING TO SECTION 719.03 SHALL BE APPLIED. PAYMENT IS TO BE INCLUDED IN THE UNIT PRICE BID FOR "ELASTOMERIC EXPANSION DAM (4" MOVEMENT)", ITEM 516.34.
 - ALL WELDING SHALL CONFORM TO AWS AND AASHTO SPECIFICATIONS.



STATEWIDE - SOUTHEAST REGION
BHF MEMB(21)
SHEET 23 OF 34
BRIDGE 33
FOR REFERENCE ONLY

TEMP °F	"A" AT ABUT. No. 2	"A" AT ABUT. No. 1
20°	2 1/8"	2 5/16"
30°	2"	2 1/8"
40°	1 13/16"	1 15/16"
50°	1 11/16"	1 3/4"
60°	1 1/2"	1 9/16"
70°	1 3/8"	1 3/8"
80°	1 1/4"	1 3/16"
90°	1 1/16"	1"
100°	15/16"	13/16"

SETTING TABLES
(See Section B-B)



NEOPRENE SEAL
N.T.S.

STEINMAN BOYNTON GRONQUIST & BIRDSALL
NEW YORK, N.Y.
CONSULTING ENGINEERS

**STATE OF VERMONT
AGENCY OF TRANSPORTATION**

TOWN OF WESTMINSTER	Bridge No. B33
HIGHWAY NO. U.S. 5	Log Sta. 432+00
	Surv. Sta. 430+00
U.S. 5 OVER SAXTONS RIVER	
EXPANSION JOINT DETAILS	
Designed by G. LOZANO	Drawn by E. REIZE
Checked by P. CHASE date 9/84	Bridge Design Supervisor T.A. FISHER date 10/84
PROJECT WESTMINSTER-ROCKINGHAM	PROJECT NO. BRS 0113(15)
Bridge Sheet No. BR 24	Sheet 101 of 262