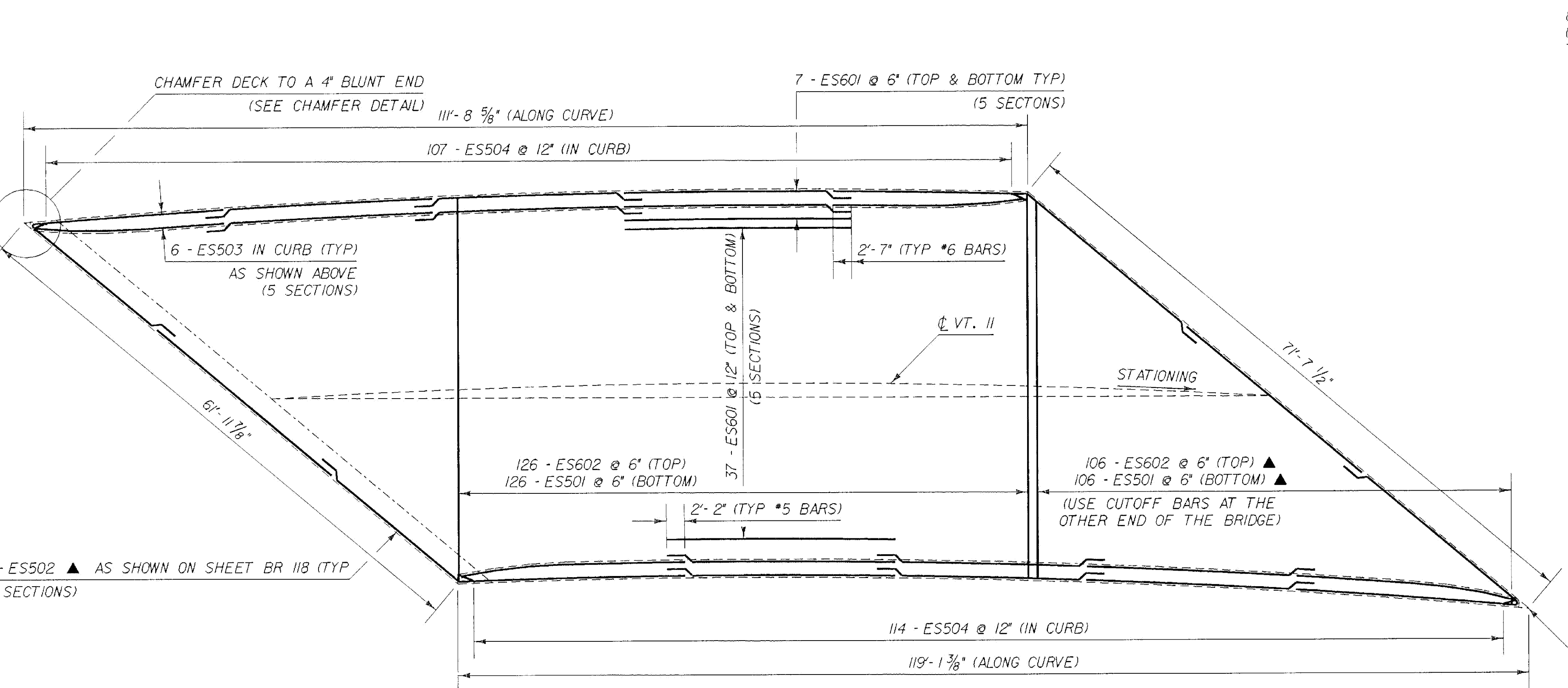


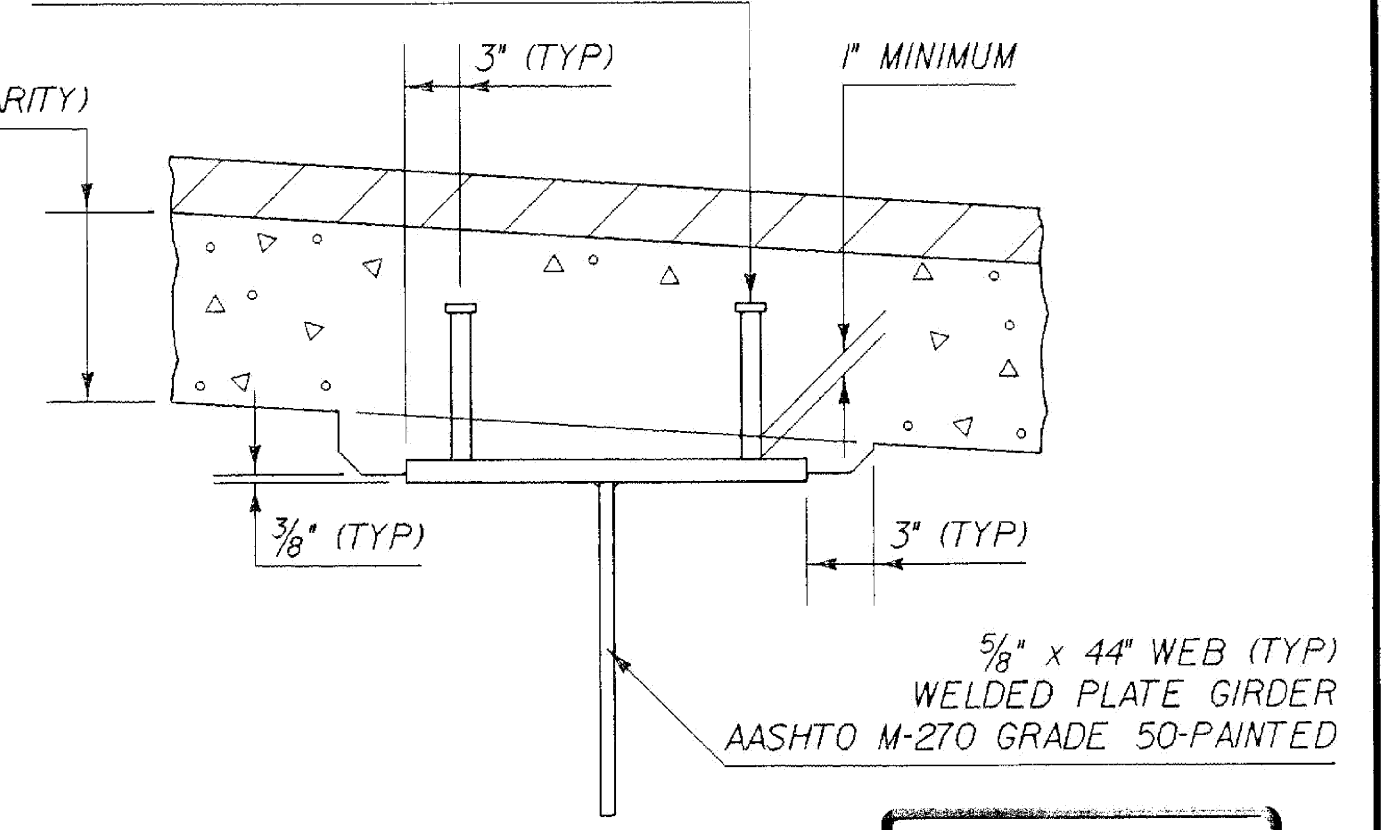
CHAMFER DETAIL
 SCALE: 1 1/2" = 1'-0"



FOR GIRDER HAUNCH AND SHEAR CONNECTOR DETAILS SEE DETAILS BELOW

2 ROWS - 7/8" x 7" WELDED STUDS SPACED ALONG GIRDERS AS SHOWN ON SHEET BR (3/4" x 7" WELDED STUDS MAY BE USED AT 2/3 THE INDICATED SPACING)

8 1/2" REINFORCED CONCRETE DECK (REINFORCING STEEL NOT SHOWN FOR CLARITY)



STATEWIDE - SOUTHEAST REGION
 BHF MEMB(21)
 SHEET 17 OF 34
 BRIDGE 46
 FOR REFERENCE ONLY

ARCHIVED ON CADD

STATE OF VERMONT AGENCY OF TRANSPORTATION	
Town Of CHESTER	Bridge No. 46
Highway No. VT. II	Log Sta. 110+16
	Rev. Sta. 15+00
TYPICAL SECTION AND DECK REINFORCING PLAN	
VT. ROUTE II OVER THE MIDDLE BRANCH WILLIAMS RIVER	
Designed By D. J. HOYNE	Drawn By K. S. CLAIRMONT
Checked By D. J. HOYNE	Bridge Design Supervisor
Date 10-91	Date
PROJECT CHESTER	PROJECT NO. BRF-F 016-1(3)
I.G.C. info. ZHI: [30,47] 77B015FP.DGN:1	
Bridge Sheet No. BR 105	Sheet 28 of 68