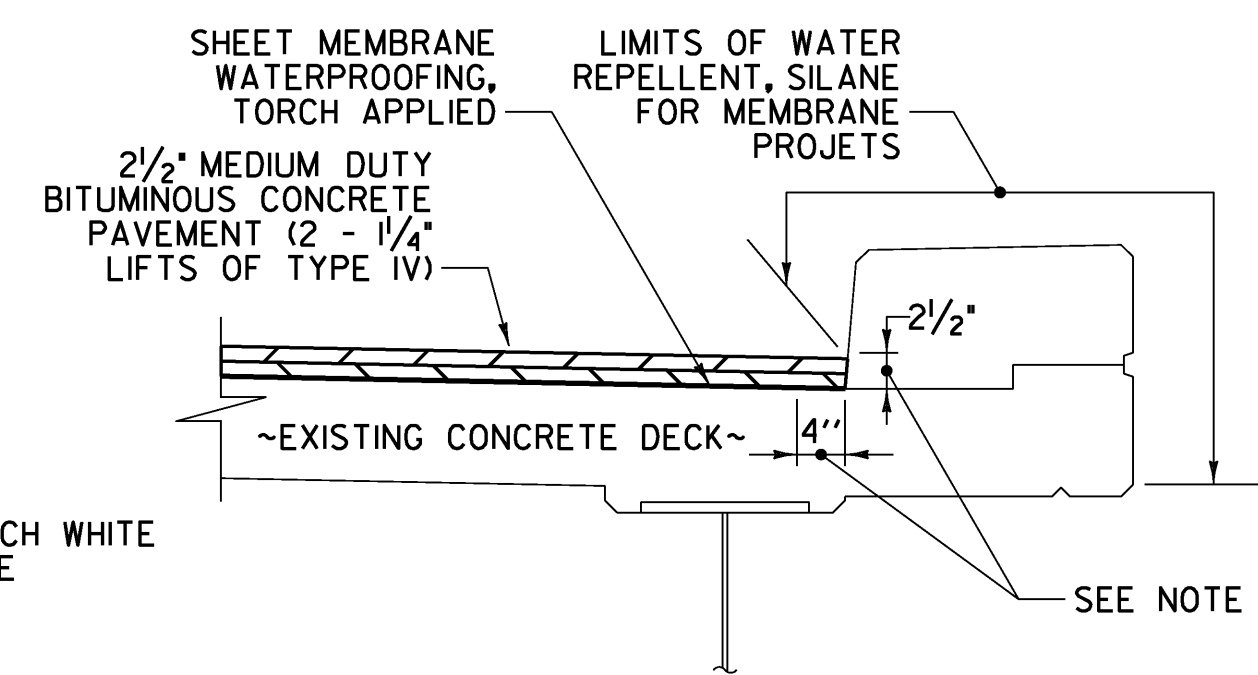


NOTE: RETROREFLECTIVE PLASTIC DRUM TO BE LOCATED IN WORK ZONE AS NECESSARY TO MAINTAIN 11'-0" (MIN.) LANE WIDTH.

**MEMBRANE SPlice DETAIL SUPERELEVATED ROADWAY (CENTER CLOSED)**  
NOT TO SCALE



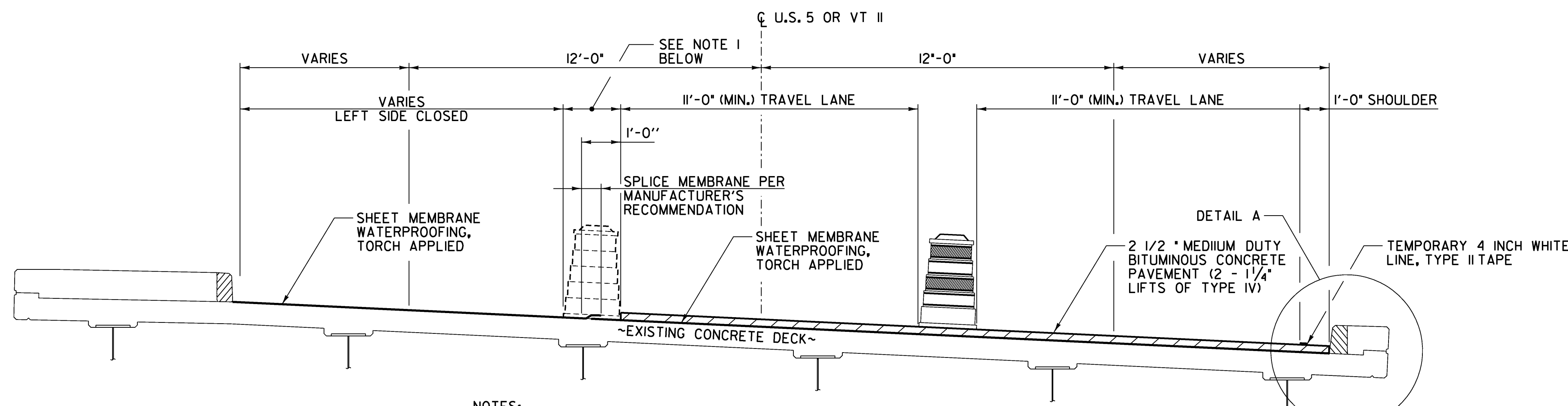
**DETAIL A**  
NOT TO SCALE

**DETAIL A NOTES:**

1. INDICATES AREA ALONG DECK AND UP FACE OF CURB FOR PLACEMENT OF TWO COATS OF POLYURETHANE MEMBRANE.
2. POLYURETHANE MEMBRANE AND BLAST CLEANING SHALL BE INCLUDED IN THE UNIT PRICE BID FOR SHEET MEMBRANE WATERPROOFING, TORCH APPLIED.
3. SHEET MEMBRANE WATERPROOFING SHALL EXTEND TO FACE OF CURB AS SHOWN.
4. IN ADDITION TO THE REQUIREMENTS OF SUBSECTION 519.04, BLAST CLEAN 2 1/2" UP THE FACE OF CURB PRIOR TO PLACING THE MEMBRANE.

**BRIDGE LENGTH AND WIDTH (CURB TO CURB)**

	WIDTH (CURB TO CURB) (FEET)	LENGTH (FEET)
45	38.67	117
46	38.67	118
33	37.33	434
D19	30.00	269
8	39.33	356

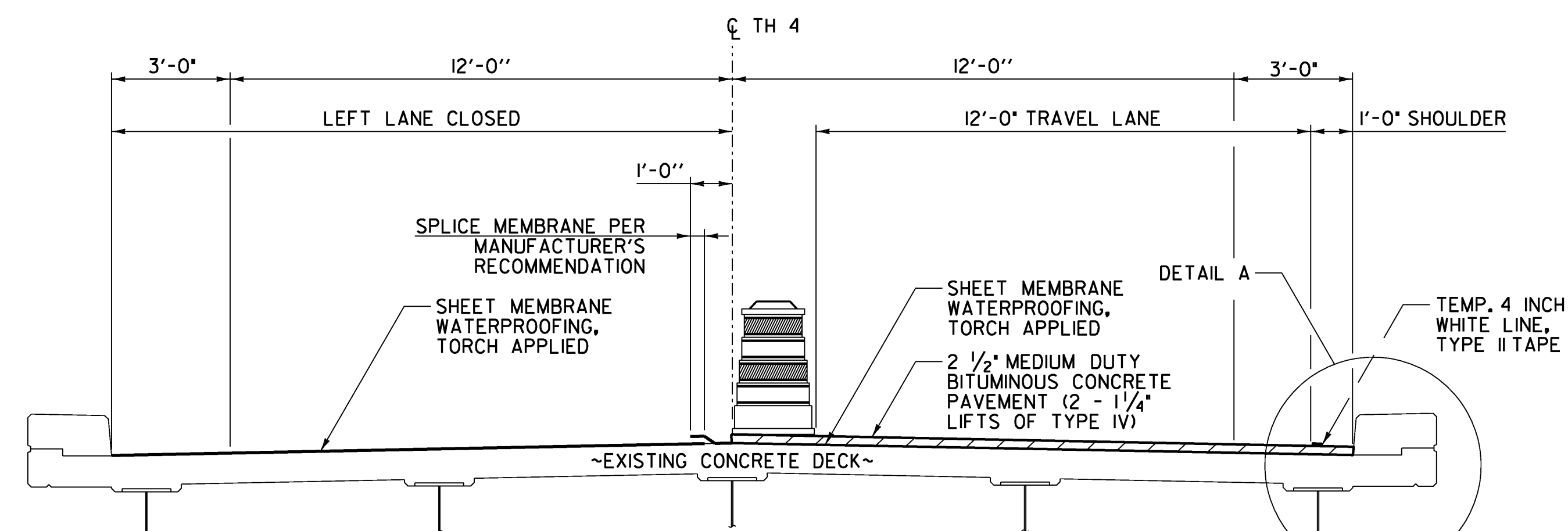


- NOTES:
1. RETROREFLECTIVE PLASTIC DRUM TO BE LOCATED IN WORK ZONE AS NECESSARY TO MAINTAIN 11'-0" (MIN.) LANE WIDTH.
  2. LEFT LANE CLOSURE SHOWN RIGHT LANE CLOSURE SIMILAR.

**MEMBRANE SPlice DETAIL SUPERELEVATED ROADWAY (LEFT LANE CLOSED)**  
NOT TO SCALE

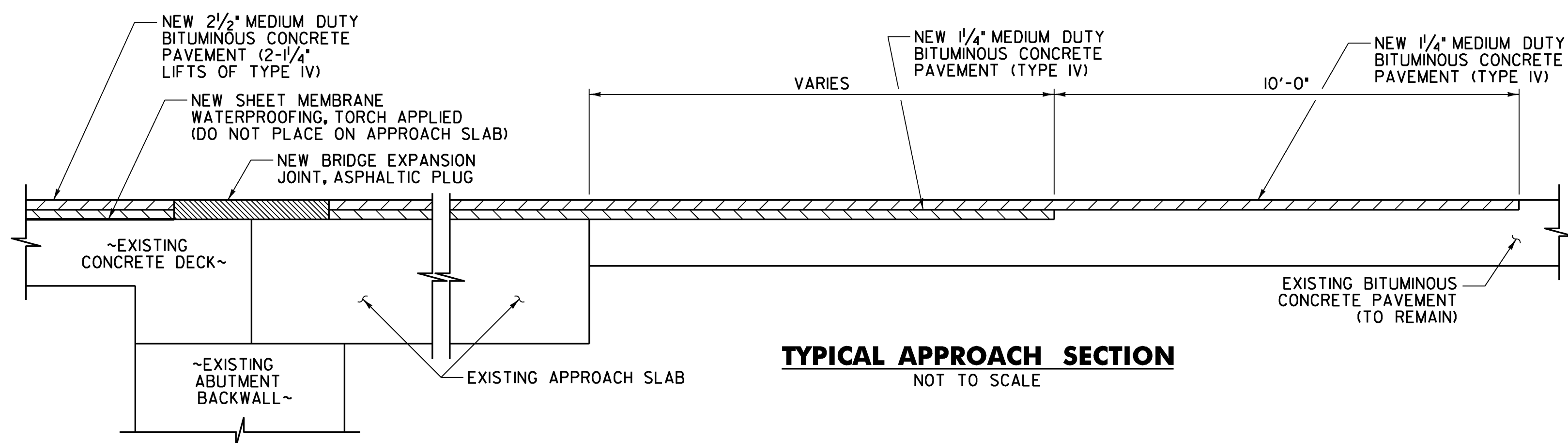
**ASPHALTIC PLUG JOINT REPLACEMENT SCHEDULE**

BRIDGE NO.	ABUT. 1	PIER 1	PIER 2	PIER 3	ABUT. 2	TOTAL
45	60.0				60.0	120.0
46	63.0				--	63.0
33	--	--	--		--	--
D19	39.0	--	39.0	39.0	39.0	156.0
8	--	--			--	--



NOTE: LEFT LANE CLOSURE AND LEFT SIDE MEMBRANE SPlice SHOWN, RIGHT LANE CLOSURE AND RIGHT SIDE MEMBRANE SPlice SIMILAR. CONTRACTOR TO DETERMINE WHICH LANE THE MEMBRANE SPlice SHALL OCCUR IN.

**MEMBRANE SPlice DETAIL - BRIDGE NO. D19**  
NOT TO SCALE



**TYPICAL APPROACH SECTION**  
NOT TO SCALE

PROJECT NAME: STATEWIDE SOUTHEAST REGION  
 PROJECT NUMBER: BHF MEMB(21)  
 FILE NAME: ...N10.bit conc detls 1.dgn  
 PROJECT LEADER: G. BOGUE  
 DESIGNED BY: S. BURBANK  
 PLOT DATE: 10/13/2009  
 DRAWN BY: E. ALLING  
 CHECKED BY: S. BURBANK  
 BITUMINOUS CONCRETE DETAILS  
 SHEET 10 OF 34

