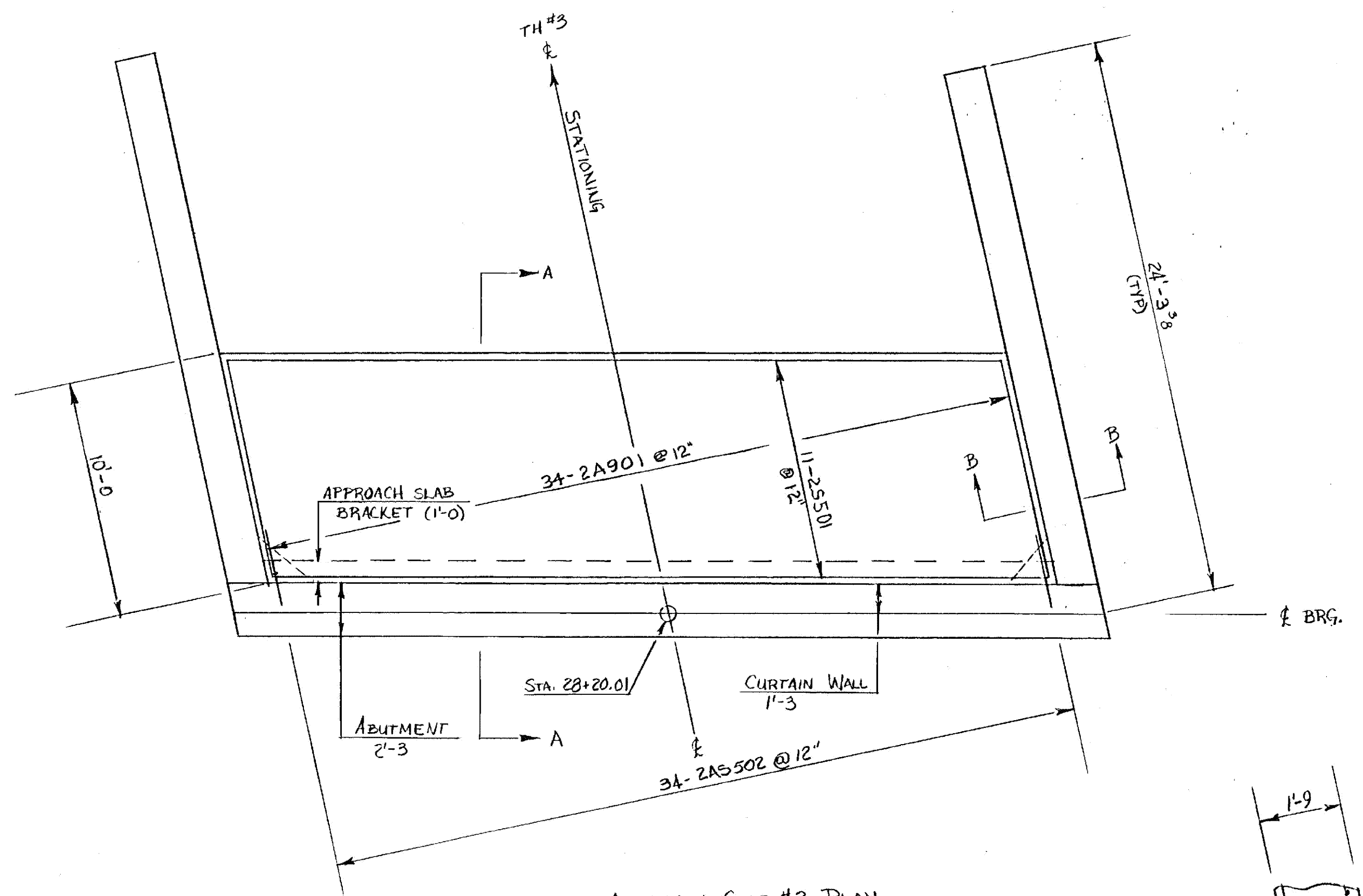
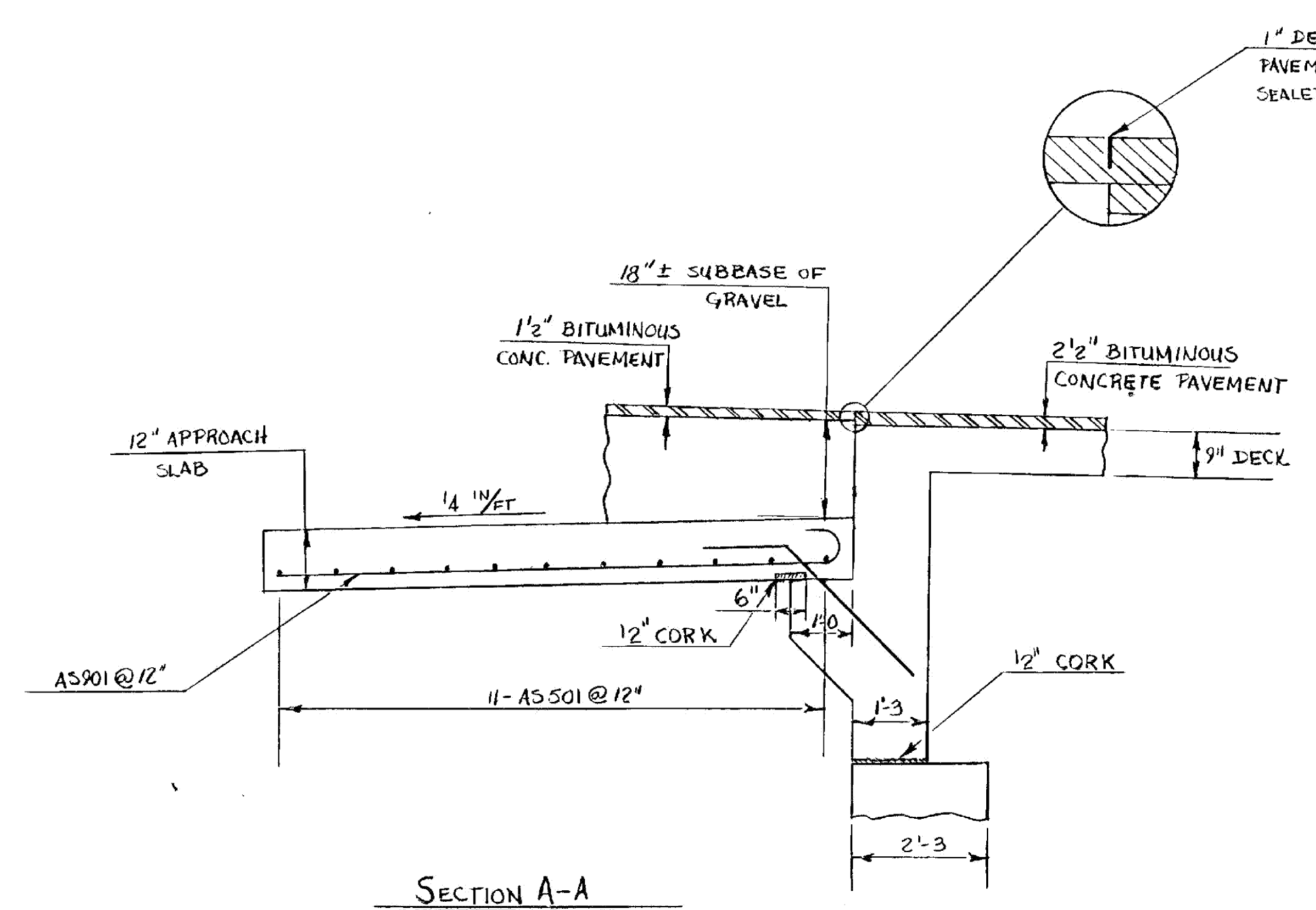


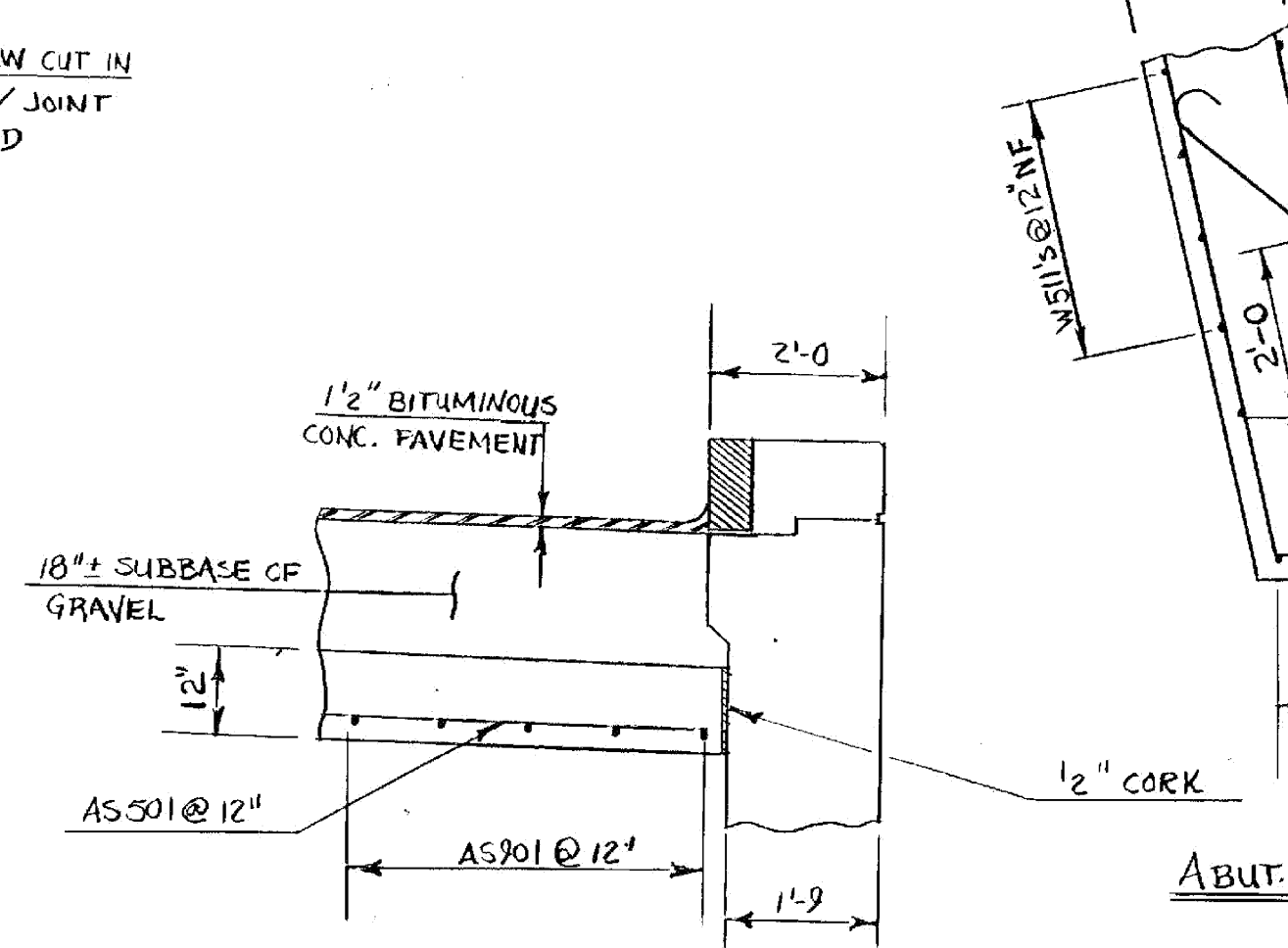
APPROACH SLAB #1 - PLAN
SCALE: 1/4" = 1'-0"



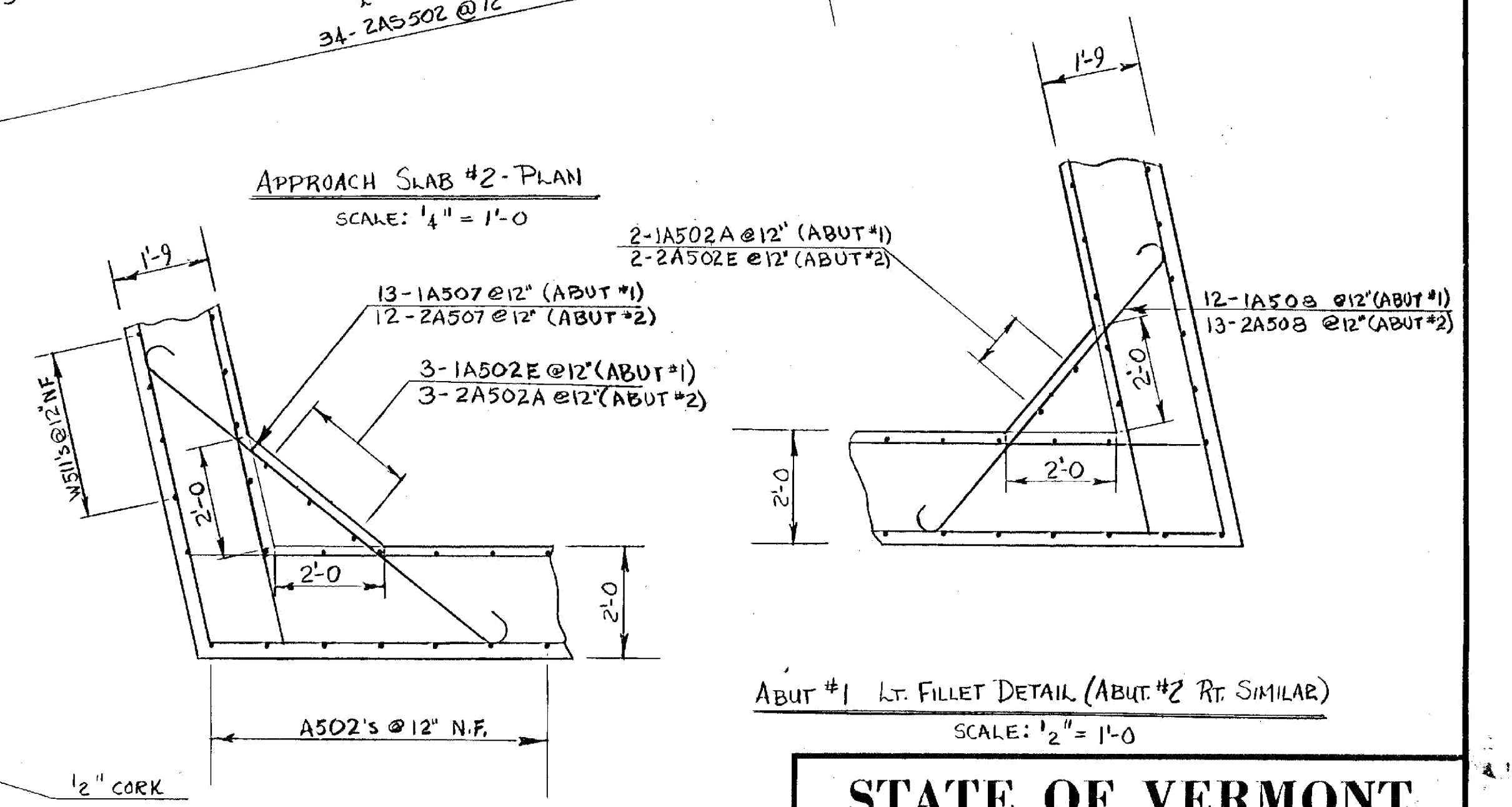
APPROACH SLAB #2 - PLAN
SCALE: 1/4" = 1'-0"



SECTION A-A
SCALE: 1/2" = 1'-0"



SECTION B-B
SCALE: 1/2" = 1'-0"



ABUT. #1 RT. FILLET DETAIL (ABUT. #2 LT. SIMILAR)
SCALE: 1/2" = 1'-0"

ABUT. #1 LT. FILLET DETAIL (ABUT. #2 RT. SIMILAR)
SCALE: 1/2" = 1'-0"

STATEWIDE - SOUTHWEST REGION
BHF MEMB(20)
SHEET 43 OF 47
BRIDGE D21
FOR REFERENCE ONLY

STATE OF VERMONT	
AGENCY OF TRANSPORTATION	
TOWN OF SUNDERLAND	Bridge No. 23
HIGHWAY NO. ART. U.S. RTE. 7	Log Sta.
TH 3 OVER ART. U.S. RTE. 7 SB	Surv. Sta. 5B 1155+13.59
APPROACH SLAB DETAILS	
Designed by C. BENDA	Drawn by R.D. GRAY
Checked by G. SCHELLEY date 4-11-89	Bridge Design Supervisor
PROJECT SUNDERLAND - MANCHESTER	PROJECT NO. F019-1(9) 9/1
Bridge Sheet No. BR2310	Sheet 132 of 429

BRUNING 44-131-40151

BR-6