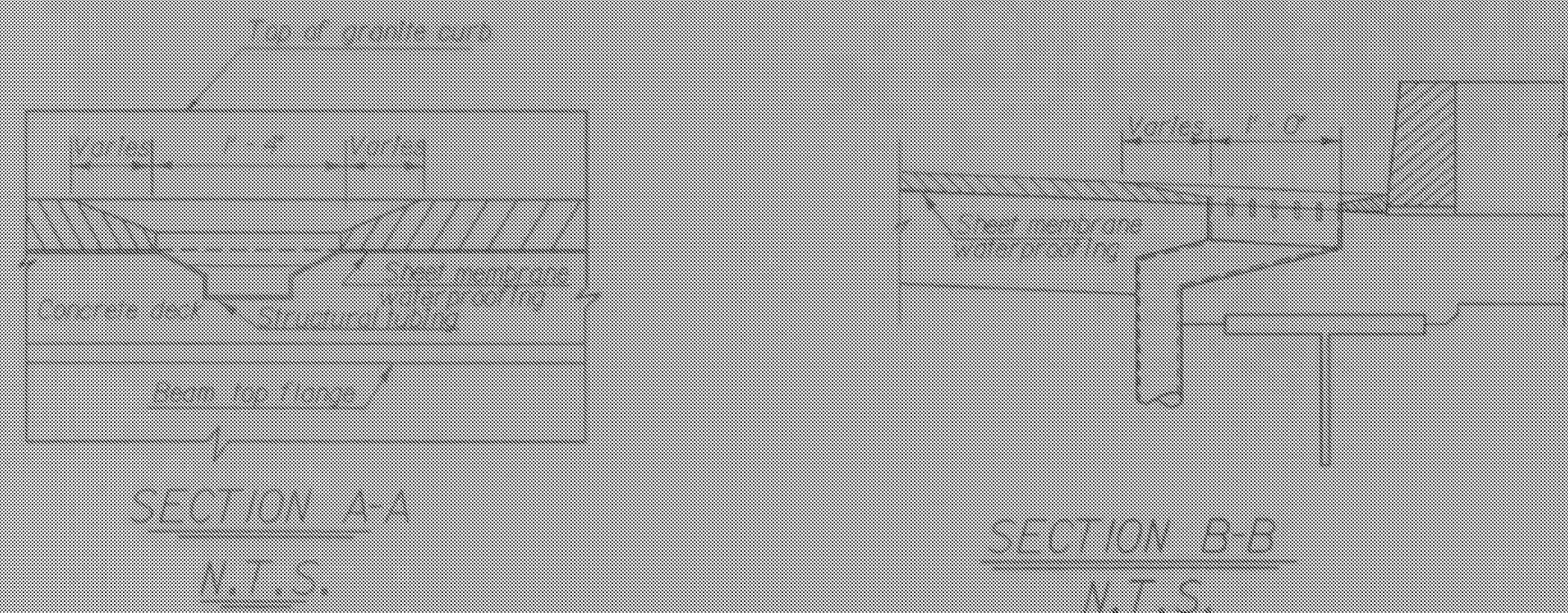
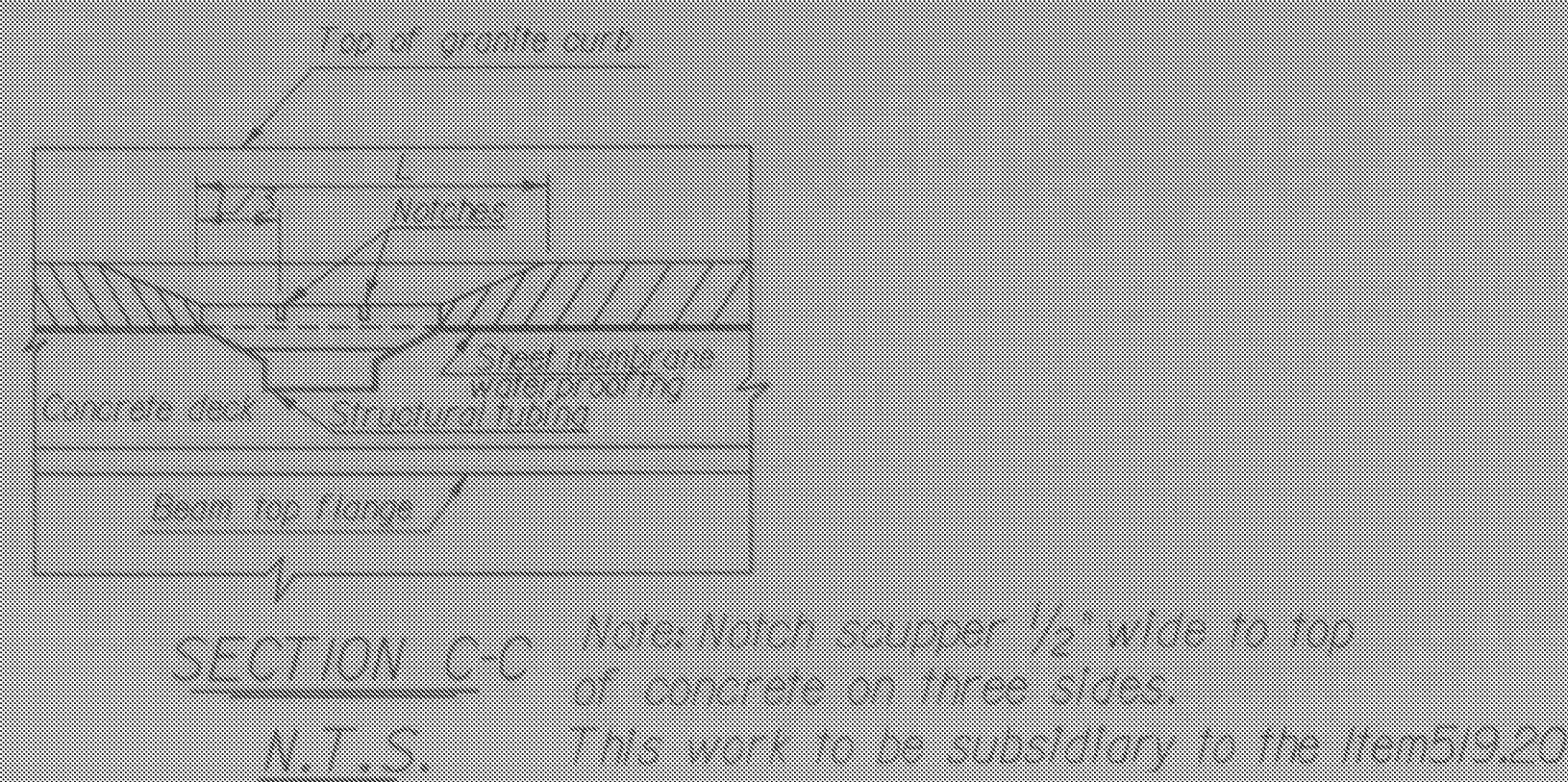


Note: Mark location of scupper; install membrane; make a "X" incision on diagonals of scupper; trim, seal, and wrap into scupper.

MEMBRANE DETAIL FOR SCUPPERS FLUSH WITH DECK

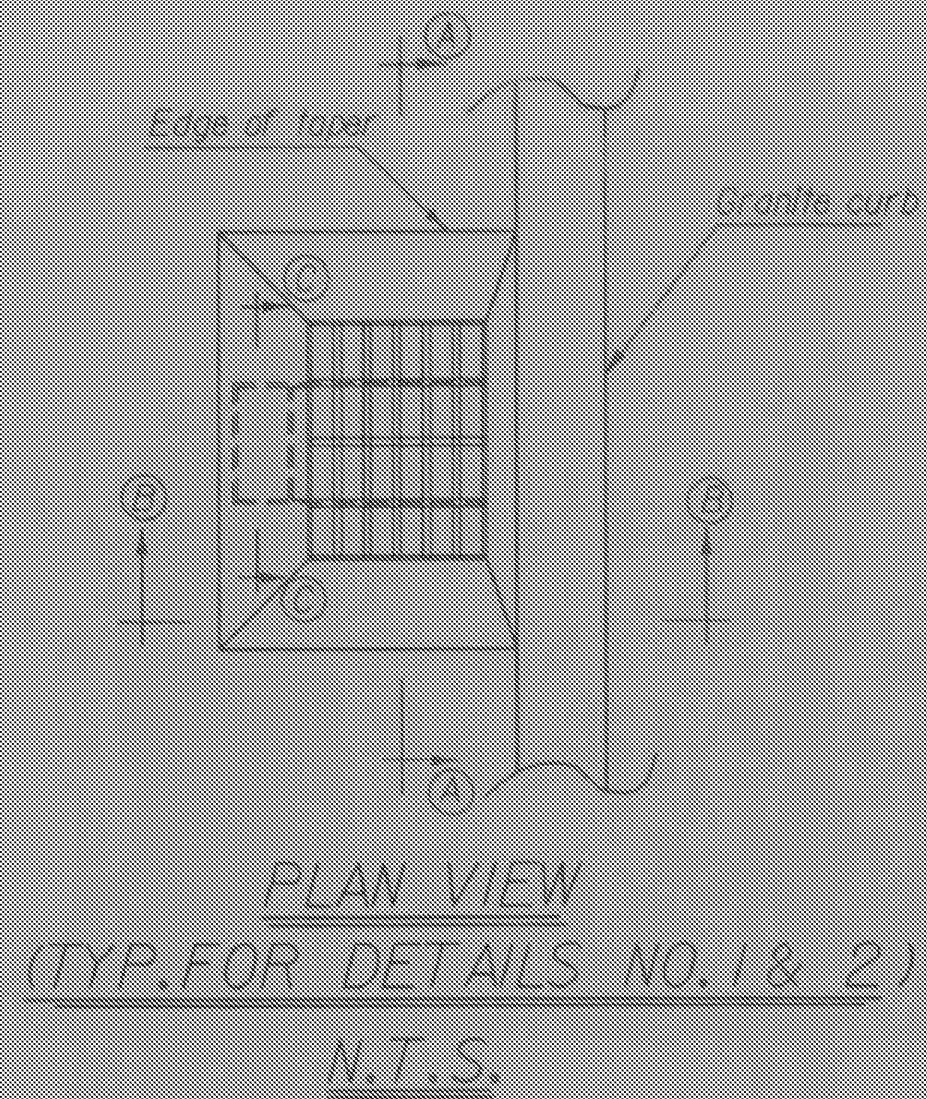


Fit membrane to outside perimeter of scupper.

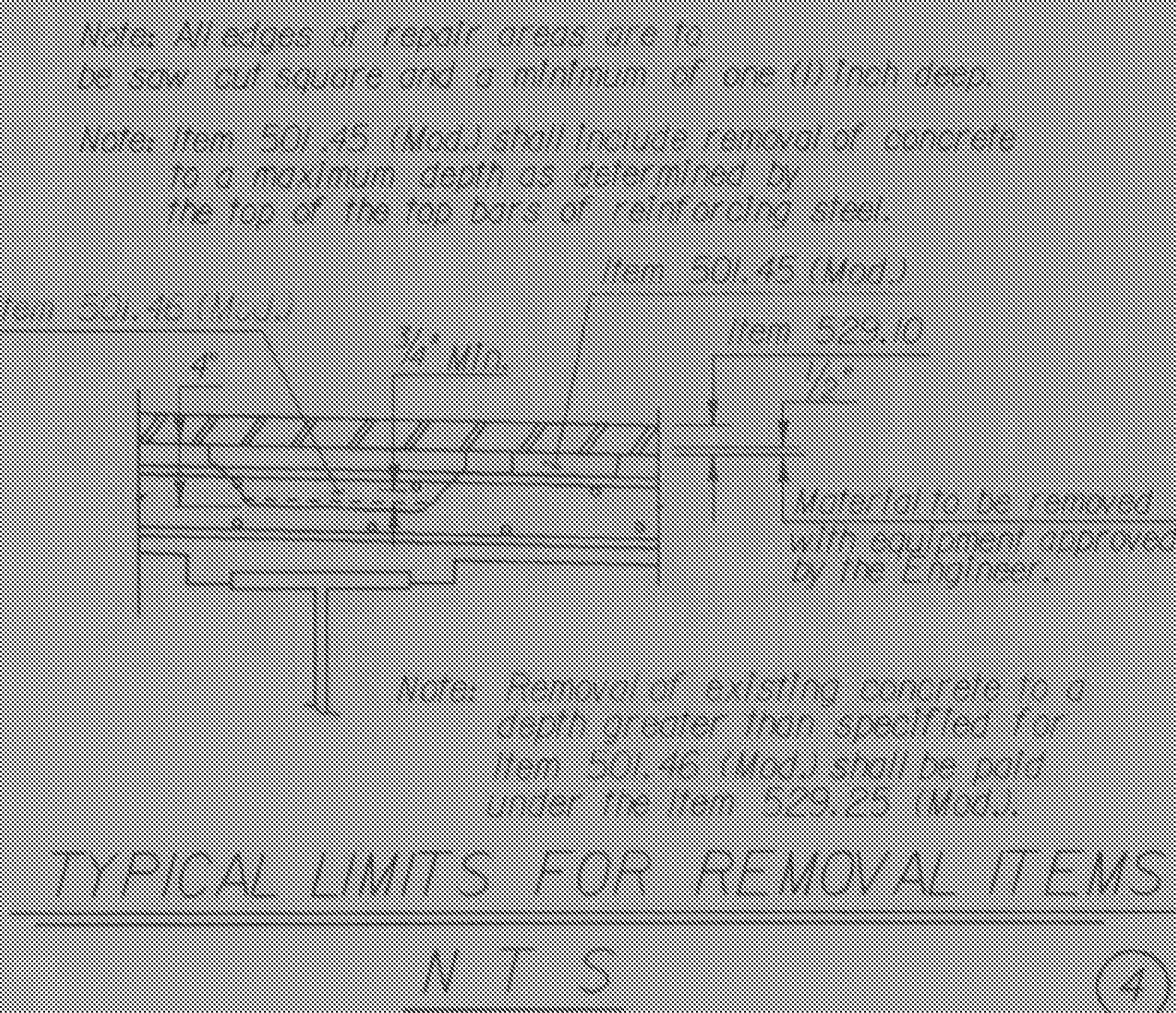


Note: Notch scupper 1/2" wide to top of concrete on three sides. This work to be subsidiary to the Item 519.20

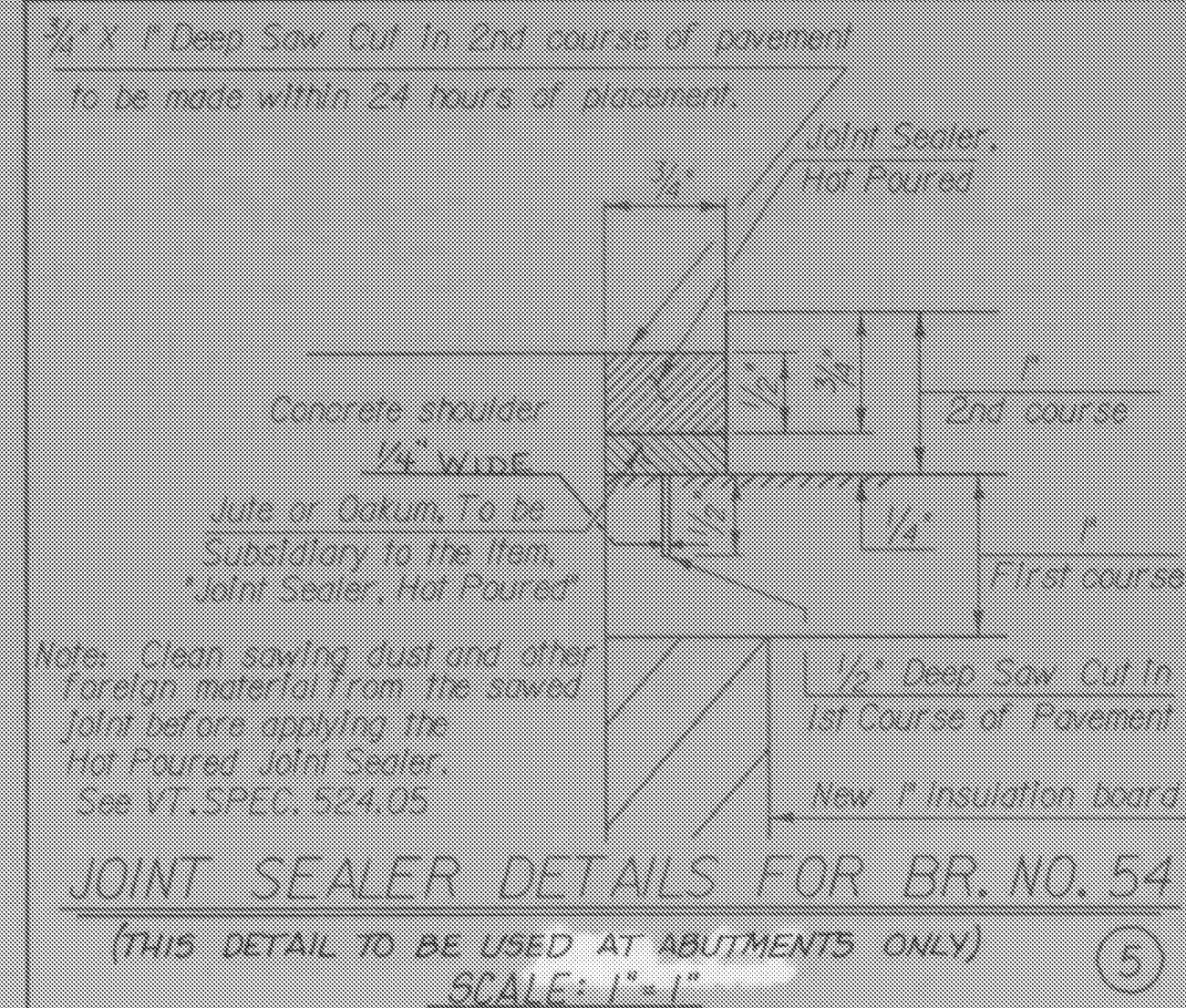
MEMBRANE DETAIL FOR RAISED SCUPPERS



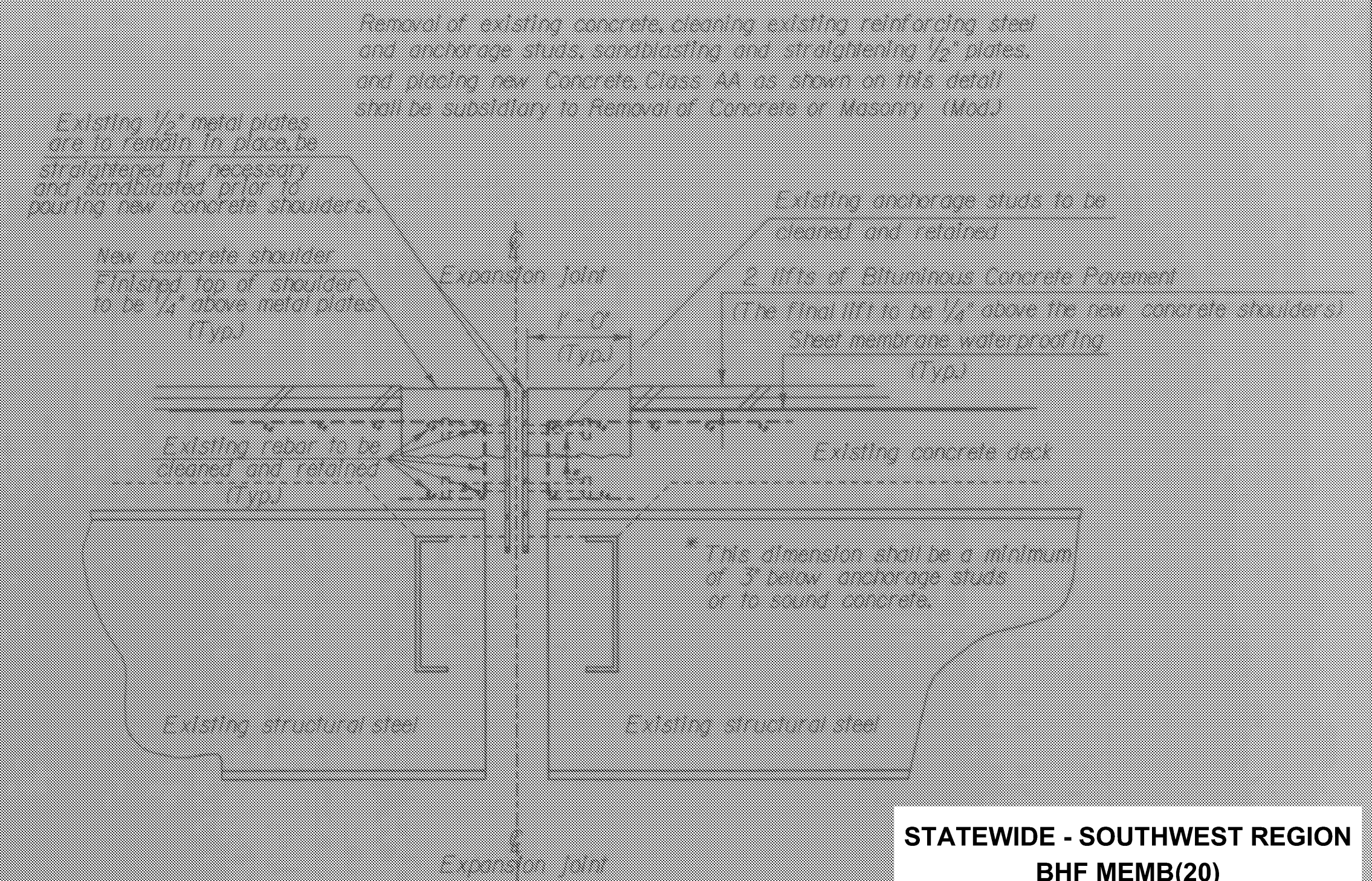
PLAN VIEW
(TYP. FOR DETAILS NO. 1 & 2)
N.T.S.



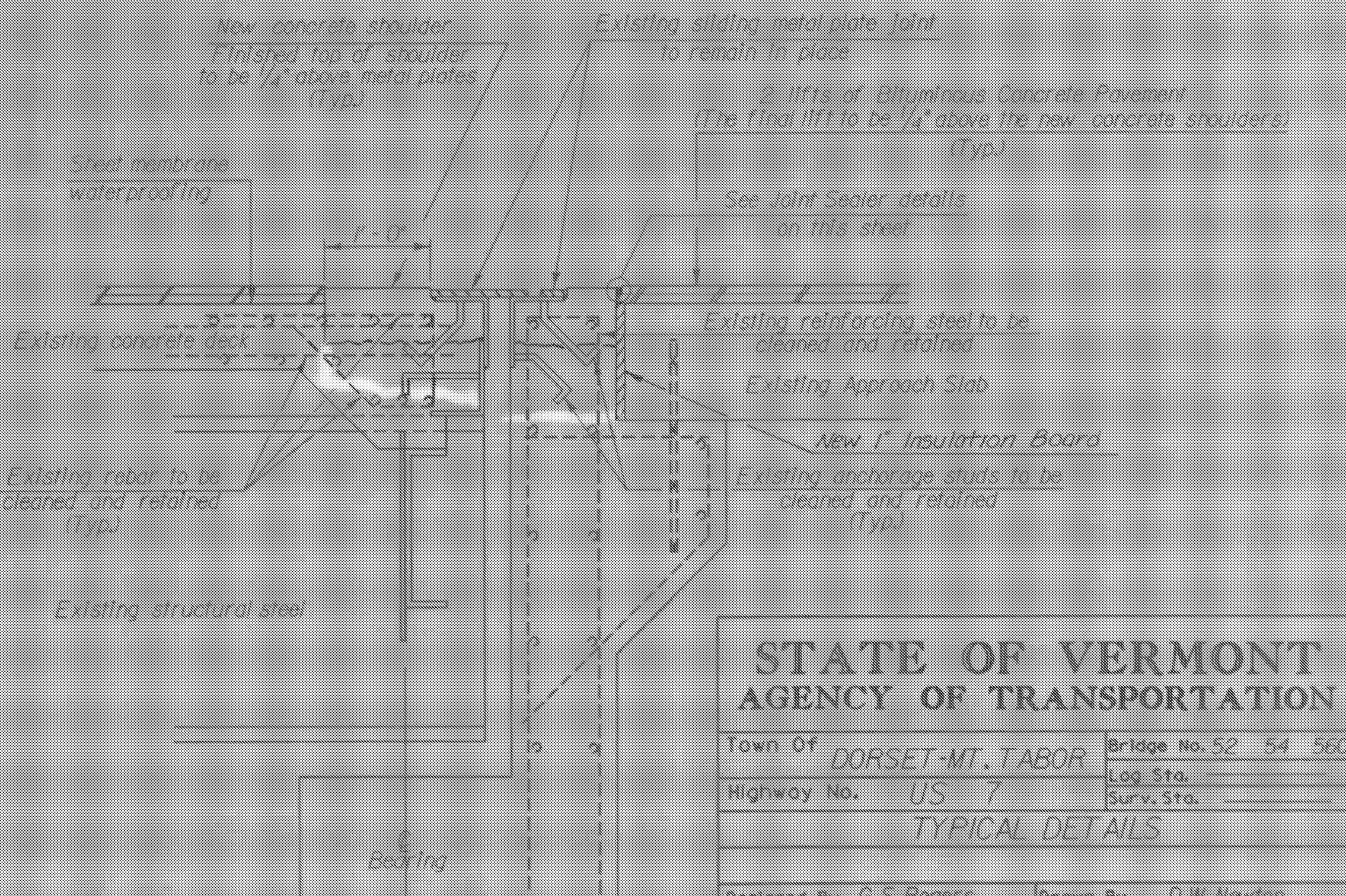
TYPICAL LIMITS FOR REMOVAL ITEMS
N.T.S.



JOINT SEALER DETAILS FOR BR. NO. 54
(THIS DETAIL TO BE USED AT ABUTMENTS ONLY)
SCALE: 1"=1"



METAL PLATE JOINT DETAILS AT PIERS
N.T.S.



SLIDING PLATE JOINT DETAILS AT BRIDGE NO. 54
N.T.S.

STATEWIDE - SOUTHWEST REGION
BHF MEMB(20)
SHEET 39 OF 47
BRIDGE 54
FOR REFERENCE ONLY

STATE OF VERMONT AGENCY OF TRANSPORTATION			
Town Of	DORSET-MT. TABOR	Bridge No. 52	54 560
Highway No.	US 7	Log Sta.	
		Surv. Sta.	
TYPICAL DETAILS			
Designed By	G.S. Rogers	Drawn By	D.W. Newton
Checked By	G.S. Rogers	Date	6/87
		Bridge Design Supervisor	R.L. Oatley
PROJECT	DORSET-MT. TABOR	PROJECT NO.	F - DECK (21'S)
I.G.C. Info.	QSAI-E 30.321SCUPREHAB.DGN	PRF:	DORST BR21
Bridge Sheet No.		Sheet	10 of 29