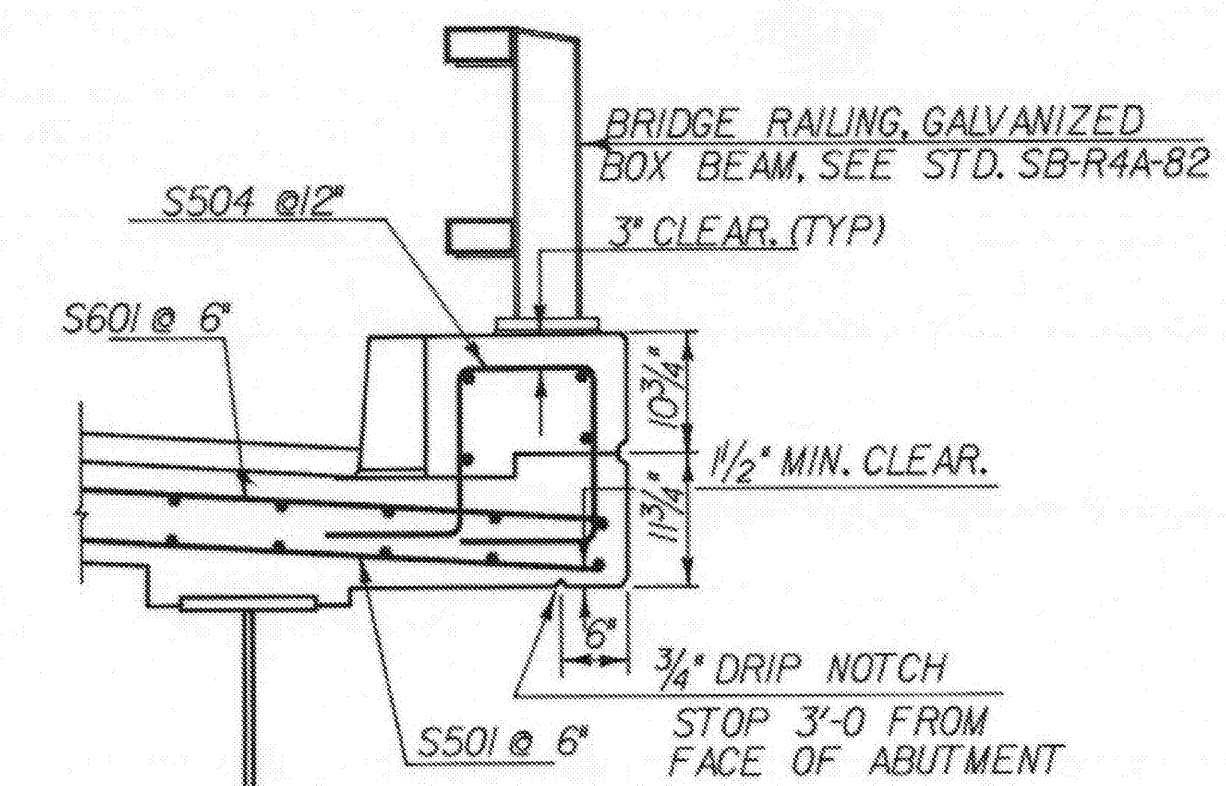
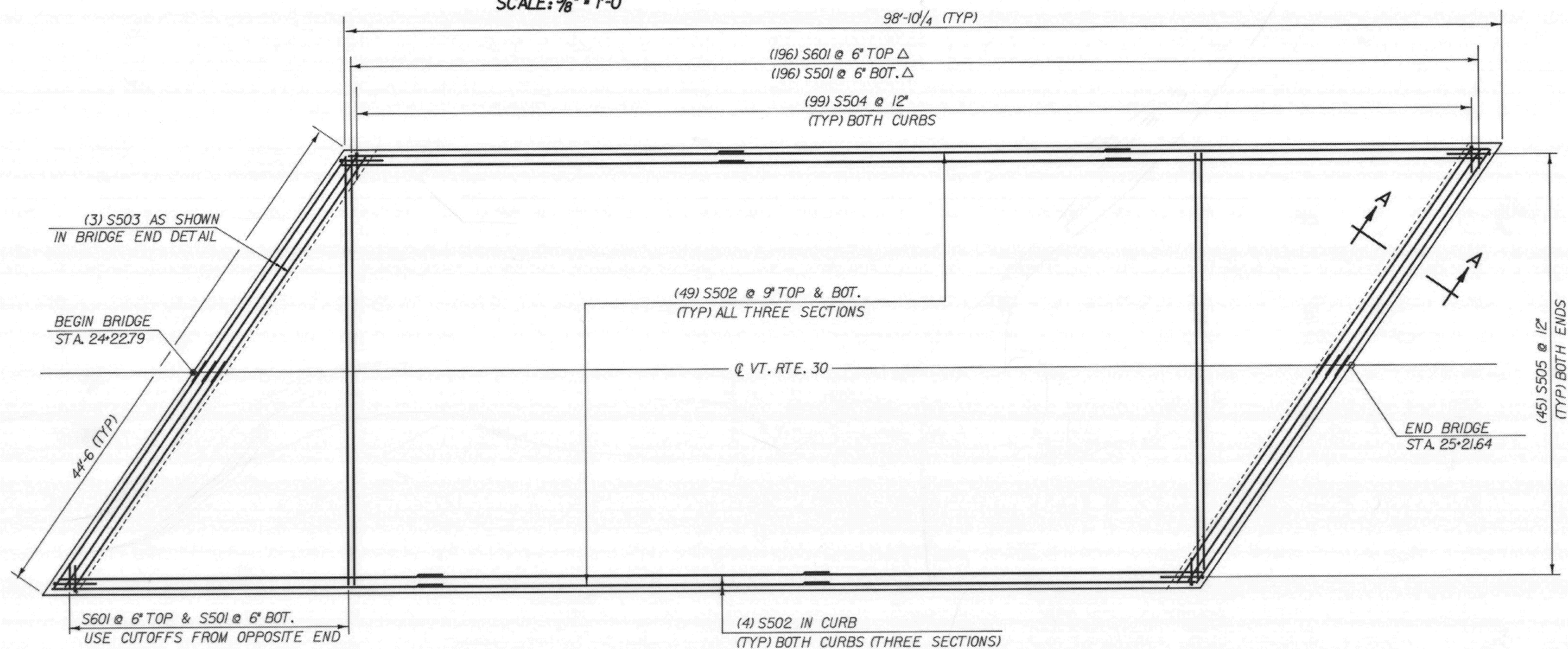


TYPICAL BRIDGE SECTION
SCALE: 3/8" = 1'-0"



TYPICAL CURB DETAIL
SCALE: 3/4" = 1'-0"



DECK REINFORCING PLAN
SCALE: 3/16" = 1'-0"

Δ CUT TO FIT IN FIELD TO FIT SKEW.
USE CUTOFFS ON OPPOSITE END.

- NOTES**
- SEE SHEET 106 OF 121 FOR SECTION A - A.
 - SEE STD. SCB-07-71 FOR SHEAR CONNECTOR AND BEAM HAUNCH DETAILS.

STATEWIDE - SOUTHWEST REGION
BHF MEMB(20)
SHEET 33 OF 47
BRIDGE 40
FOR REFERENCE ONLY

STATE OF VERMONT		AGENCY OF TRANSPORTATION	
Town Of	JAMAICA	Bridge No.	40
Highway No.	VT. RTE. 30	Log Sta.	
		Surv. Sta.	24+24
VT. RTE. 30 OVER WINHALL RIVER SUPERSTRUCTURE DETAILS			
Designed By	M. EVANS-MONGEOM	Drawn By	G. SCHELLEY
Checked By	M. CERUTTI	Bridge Design Supervisor	R. L. DOTLEY
Date	8/85	Date	9-85
PROJECT	JAMAICA	PROJECT NO.	BRF 015-1161S
I.G.C. Info.	USA#130,331/BF 210SUP		
Bridge Sheet No.	BR 165	Sheet	21 of 78